



Chef LED Light Bulbs

Models: CLED-3000-120, -4000-120
CLED-3000-230, -4000-230

Commit to going green in your foodservice operation with Hatco's patented Chef LED Light Bulbs. Heat strengthened glass lens protects the Light Emitting Diode (LED) while the exterior is made of rugged aluminum and prevents breakage of the components due to incidental contact in a busy kitchen environment. A Chef LED Bulb has substantial benefits and energy savings over other bulbs and are directional, so you can adjust it to your ideal setting.

Standard features

- Designed to operate in high temperature areas for use in most Hatco Strip Heaters and HL Display Lights
- Unique design allows operation over a steam table
- Illuminates instantly and can be rotated down to showcase food product below
- Average of 184% increased light output, based on Foot Candle average delivered to surface from a height of 12" (305 mm) vs. 40 watt incandescent bulb
- Up to 91% energy savings vs. 40 watt incandescent bulb
- CLED-3000-xxx Similar to warm Halogen light; CLED-4000-xxx Similar to cool Fluorescent light
- 120V or 230V (50-60 Hz)
- Warranted for one year

Sample

Annual Cost to Operate*

\$1.79 vs **\$30.66** vs **\$20.44**
 Chef LED 60W Bulb 40W Bulb

*Based on 3,650 hours per year at .14¢ per kilowatt-hour (kWh).

See our LED Energy And Cost Saving Analysis on the Hatco website to find out how much you can save with Chef LED Light Bulbs.



Scan to see how easy it is to install the Chef LED Bulb, and direct the light, in your foodwarmer.

Project _____
 Item # _____
 Quantity _____



Chef LED Light Bulb

Life Expectancy

CLED-3000 (Similar to warm halogen light)	CLED-4000 (Similar to cool fluorescent)	BULB: Halogen	BULB: Incandescent*
3.5 watt	3.5 watt	60 watt	40 watt
25,000 Hours*	25,000 Hours*	1,500 Hours	3,000 Hours
Closest kelvin Halogen	Closest kelvin Fluorescent Tube		

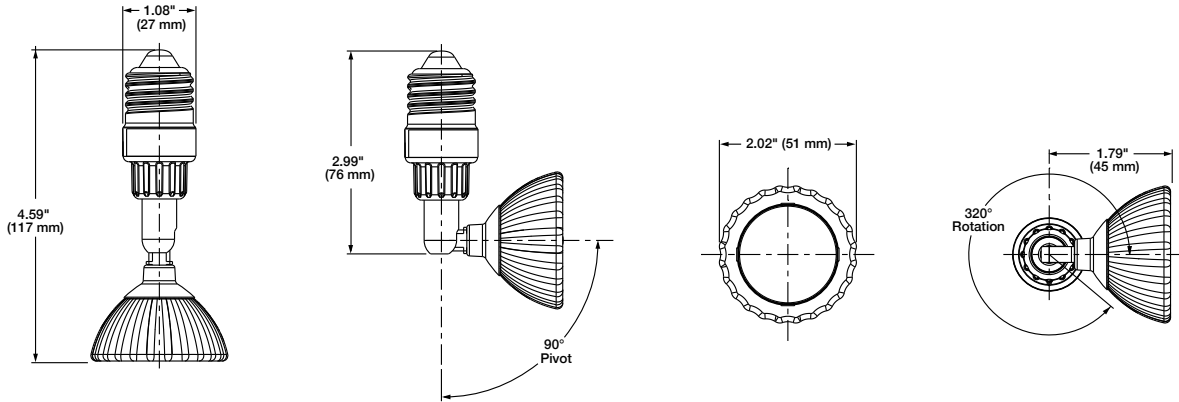
* Appliance bulb.
 * With 167°F (75°C) ambient air temperature.





Chef LED Light Bulbs

Models: CLED-3000-120, -4000-120; CLED-3000-230, -4000-230

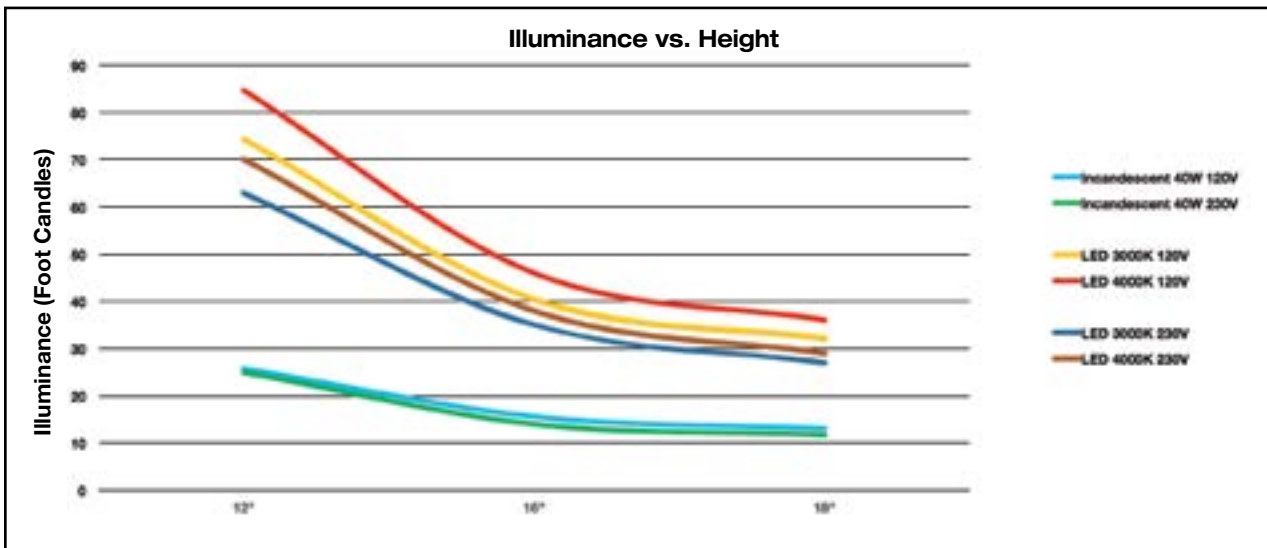


SPECIFICATIONS Chef LED Light Bulbs

The shaded areas contain electrical information for International models

Model	Dimensions (Width x Depth x Height)	Closest Lighting Temperature	Average Rated Life	Volts	Kelvin	Watts	Amps	Standard Bulb Base
CLED-3000-120	2.02" x 2.02" x 4.59" (51 x 51 x 117 mm)	Similar to warm halogen light	25,000 Hours*	120	3000	3.5	0.03	E-26
CLED-4000-120	2.02" x 2.02" x 4.59" (51 x 51 x 117 mm)	Similar to cool fluorescent light	25,000 Hours*	120	4000	3.5	0.03	E-26
CLED-3000-230	2.02" x 2.02" x 4.59" (51 x 51 x 117 mm)	Similar to warm halogen light	25,000 Hours*	230	3000	3.5	0.02	E-27
CLED-4000-230	2.02" x 2.02" x 4.59" (51 x 51 x 117 mm)	Similar to cool fluorescent light	25,000 Hours*	230	4000	3.5	0.02	E-27

* With 167°F (75°C) ambient air temperature.



PRODUCT SPECS Chef LED Light Bulbs

The Chef LED Light Bulb shall be model ... as manufactured by the Hatco Corporation, Milwaukee, WI 53234 U.S.A.

The Chef LED Light Bulb shall be rated at ... volts, ... watts and be ... kelvins. It shall come standard with a nickel plated brass bulb base and an aluminum housing

that rotates up to 320° while pivoting up to 90°, glass lens and coated PCB board designed to operate in hot environments for up to 25,000 hours. Warrantied for one year.

Warranty consists of 24/7 parts and service assistance (U.S. and Canada only).

HATCO CORPORATION | P.O. Box 340500 Milwaukee, WI 53234-0500 U.S.A. | (800) 558-0607 | (414) 671-6350

www.hatcocorp.com | support@hatcocorp.com | [Find a Hatco Rep](#) | [Image Library](#) | [Document Library](#) | [Chat](#)