



**T&S BRASS AND BRONZE WORKS, INC.**  
 2 SADDLEBACK COVE / P.O. BOX 1088 / TRAVELERS REST, SC 29690  
 PHONE 800-476-4103 - FAX 864- 834-3518



Model No.

B-0200-LN

**RELIABILITY  
BUILT IN**

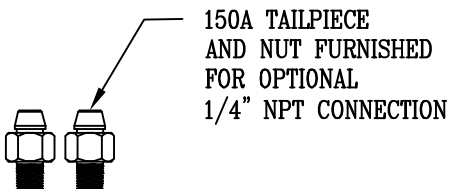
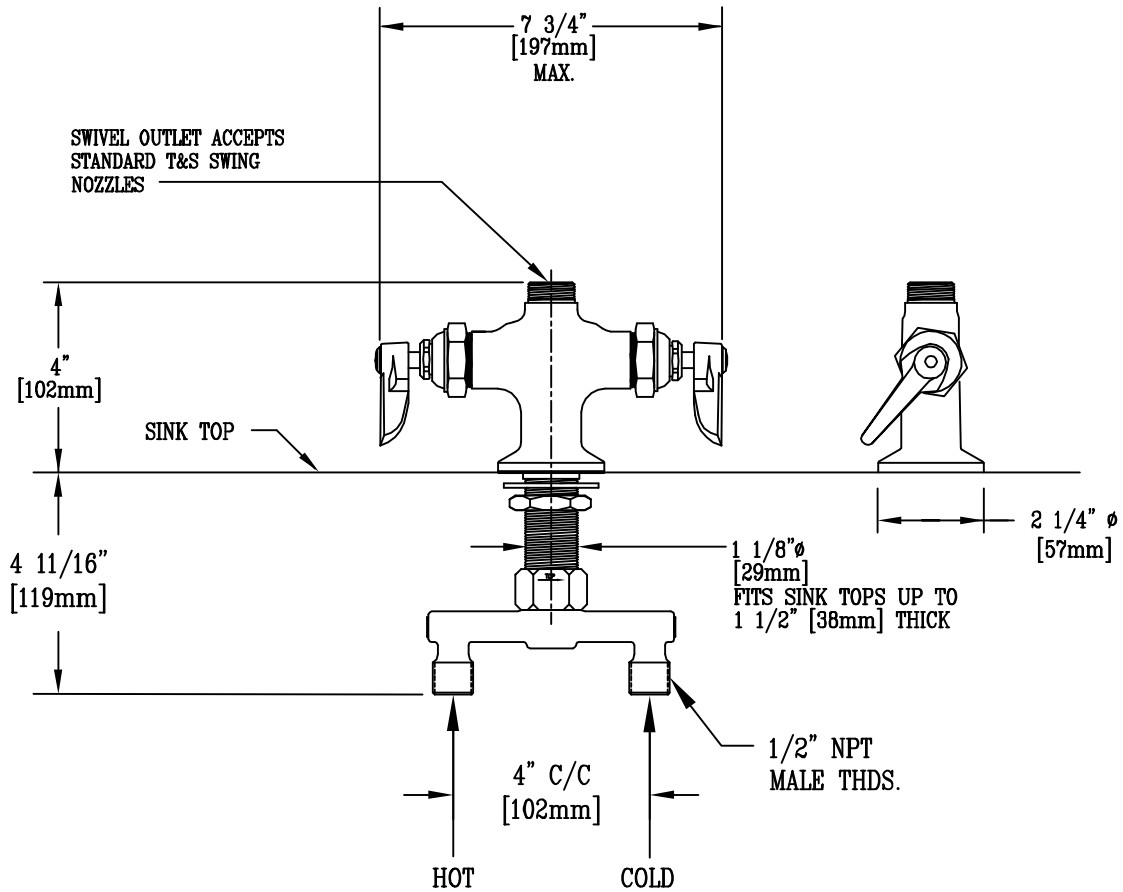
Job Name:

Architect/Engineer Approval:

Notes:



ADA COMPLIANT



Product Description:

Drawn:

Checked

Scale:

PRJ

WJS

1 : 4

Approved

Date:

MVW

05/23/02

DOUBLE PANTRY FCT. LESS NOZZLE