



**T&S BRASS AND BRONZE WORKS, INC.**  
 2 Saddleback Cove / P.O. Box 1088  
 Travelers Rest, SC 29690

Model No.  
**B-3940-01-XS**

Item No.

Travelers Rest, SC: 800-476-4103 • Simi Valley, CA: 800-423-0150 • Fax: 864-834-3518 • www.tsbrass.com

This Space for Architect/Engineer Approval

Job Name \_\_\_\_\_ Date \_\_\_\_\_

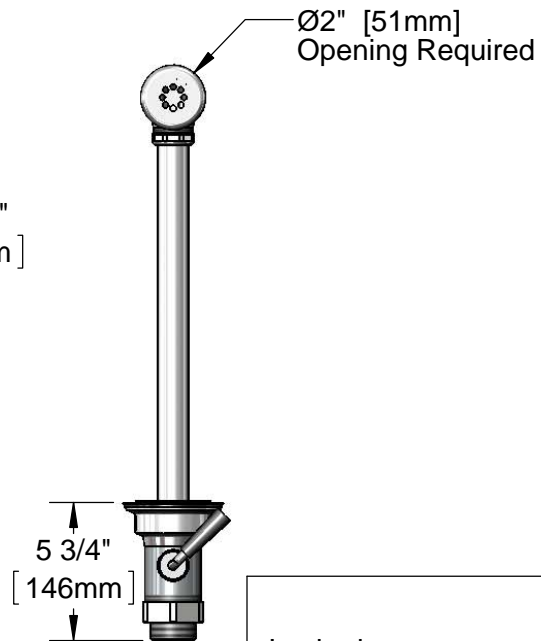
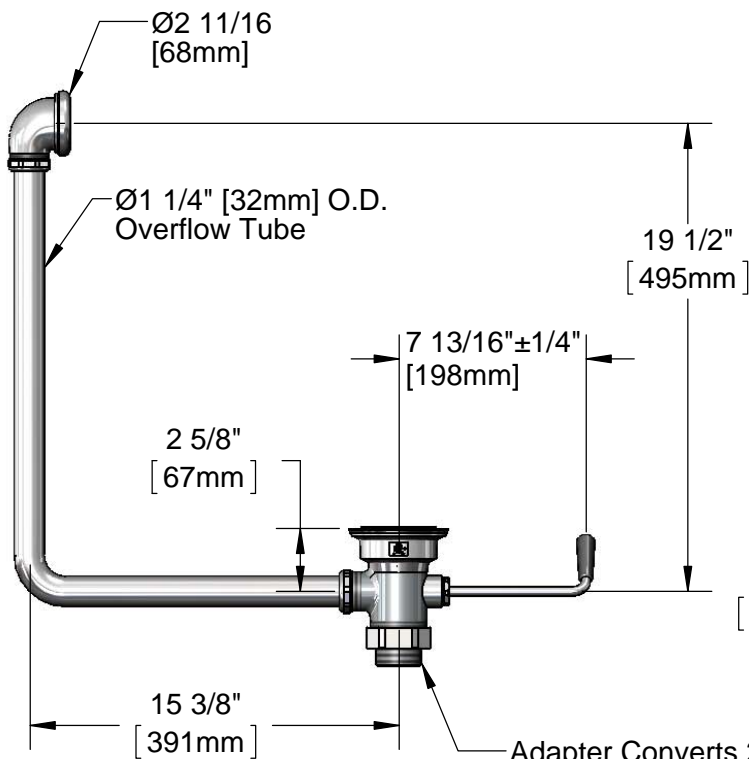
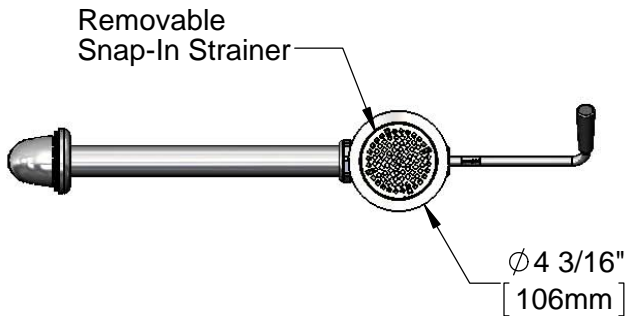
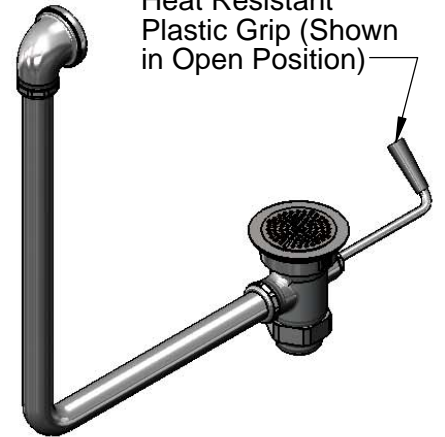
Model Specified \_\_\_\_\_ Quantity \_\_\_\_\_

Customer/Wholesaler \_\_\_\_\_

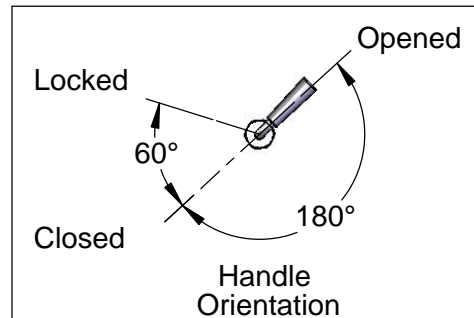
Contractor \_\_\_\_\_

Architect/Engineer \_\_\_\_\_

Twist Handle w/  
 Heat Resistant  
 Plastic Grip (Shown  
 in Open Position)



Adapter Converts 2" NPT  
 Male Thread to 1 1/2" NPT  
 Male Thread. Remove  
 Adapter when 2" NPT Male  
 Thread is Needed.



Product Specifications:  
 Rotary Waste Valve w/ Short Twist Handle, 3" Sink Opening, 2" NPT  
 Male Outlet, 1 1/2" NPT Male Adapter & Overflow Tube w/ Head Asm

Drawn <b>KJG</b>	Checked <b>DMH</b>	Approved <b>JHB</b>
Scale: <b>1:8</b>		Date: <b>08/23/13</b>

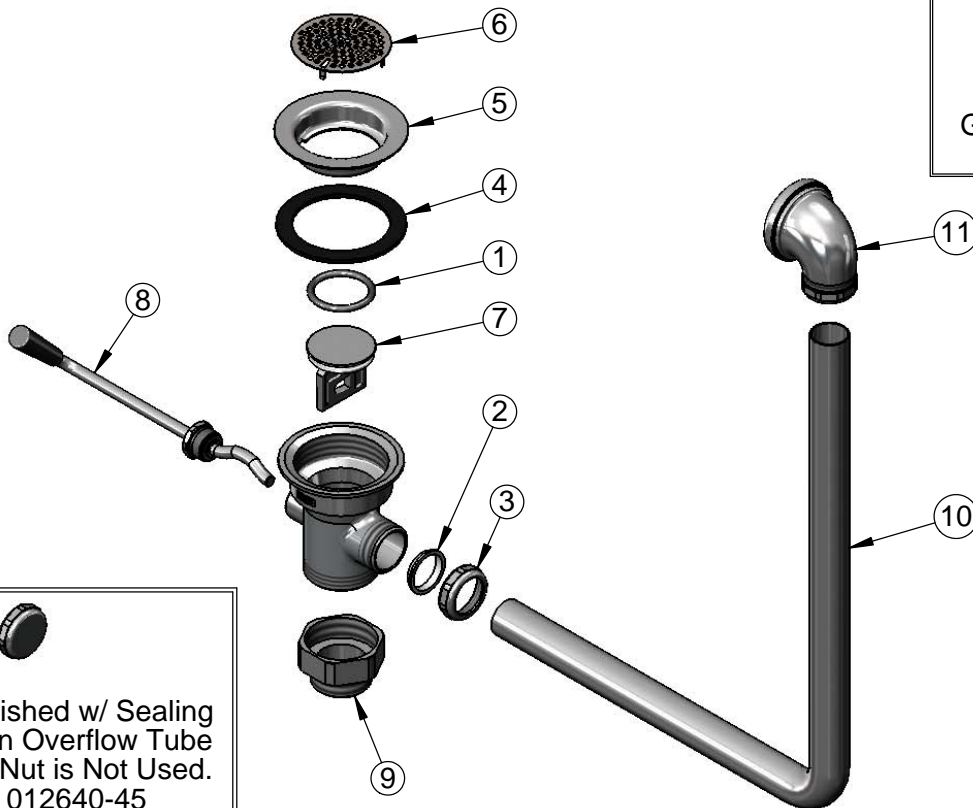


**T&S BRASS AND BRONZE WORKS, INC.**  
 2 Saddleback Cove / P.O. Box 1088  
 Travelers Rest, SC 29690

Model No.  
**B-3940-01-XS**  
 Item No.

Travelers Rest, SC: 800-476-4103 • Simi Valley, CA: 800-423-0150 • Fax: 864-834-3518 • www.tsbrass.com

ITEM NO.	SALES NO.	DESCRIPTION
1	010389-45	O-Ring, Plunger
2	010390-45	Ferrule, Coupling Nut
3	010391-45	Nut, Coupling For Twist Drain
4	010381-45	Gasket, 3" Face Flange
5	015306-45	Flange, 3" Face
6	010385-45	Strainer, 3" Snap-in
7	010388-45	Plunger, Lever and Twist Drain
8	010393-45XS	Handle, Rotary Waste Valve Short Twist
9	B-3945	Adapter, 2" NPT x 1 1/2" NPT
10	011355-45	Tube, Overflow Elbow
11	011356-45	Head Asm, Overflow Tube



Also Furnished w/ Sealing Cap When Overflow Tube Coupling Nut is Not Used.  
 PN# 012640-45

Product Specifications:  
 Rotary Waste Valve w/ Short Twist Handle, 3" Sink Opening, 2" NPT Male Outlet, 1 1/2" NPT Male Adapter & Overflow Tube w/ Head Asm

Drawn <b>KJG</b>	Checked <b>DMH</b>	Approved <b>JHB</b>
Scale: <b>NTS</b>		Date: <b>08/23/13</b>