



T&S BRASS AND BRONZE WORKS, INC.

2 Saddleback Cove / P.O. Box 1088
Travelers Rest, SC 29690

Model No.

B-0326-LN

Item No.

Travelers Rest, SC: 800-476-4103 • Simi Valley, CA: 800-423-0150 • Fax: 864-834-3518 • www.tsbrass.com



ADA Compliant

This Space for Architect/Engineer Approval

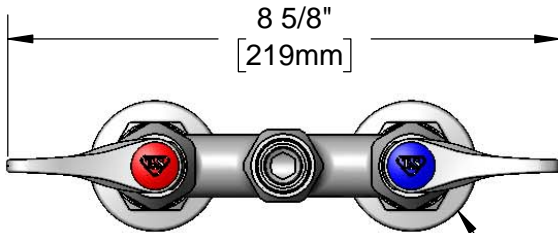
Job Name _____ Date _____

Model Specified _____ Quantity _____

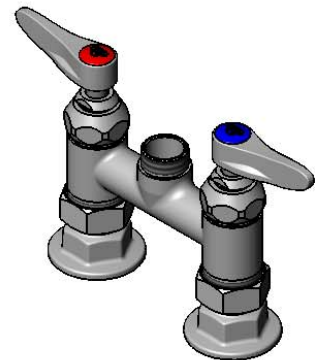
Customer/Wholesaler _____

Contractor _____

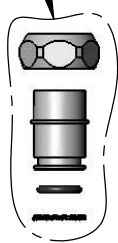
Architect/Engineer _____



Ø 2" [51mm]
Flanges w/
1/2" NPT
Female Inlets

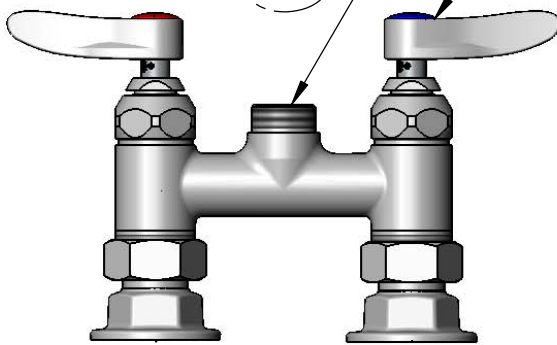


EZ-K
EasyInstall Kit
Converts Rigid Risers &
Nozzles For Use With
Swivel Outlet (Included)



Swivel Outlet Accepts
Standard T&S Swing
Nozzles

Quarter-Turn
Eterna Cartridges w/
Spring Checks &
Lever Handles w/
Color Coded Indexes



5 3/16"
[131mm]

4"
[102mm]

Adjustable From
3 3/4" to 4 1/4"
[95mm to 108mm]

Product Specifications:

4" Deck Mount Faucet (Less Nozzle), Quarter-Turn Eterna Cartridges w/
Spring Checks, Lever Handles & 1/2" NPT Female Inlets

Product Compliance:

ASME A112.18.1 / CSA B125.1
NSF 61 - Section 9
NSF 372 (Low Lead Content)
ANSI A117.1 (ADA)



T&S BRASS AND BRONZE WORKS, INC.

2 Saddleback Cove / P.O. Box 1088
Travelers Rest, SC 29690

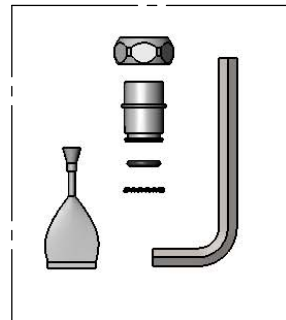
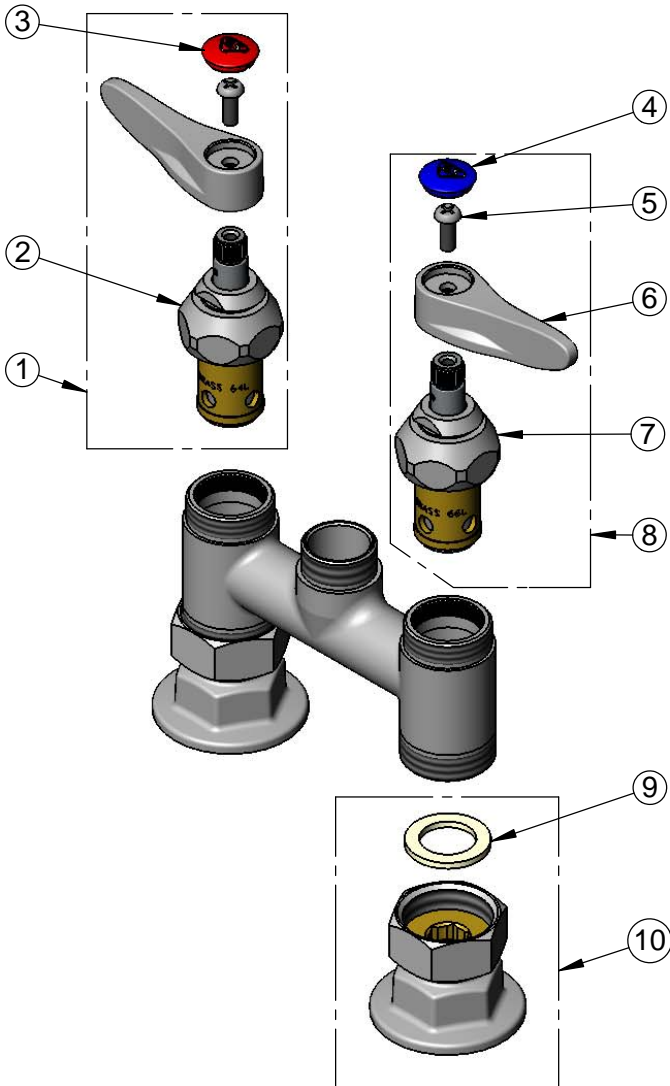
Model No.

B-0326-LN

Item No.

Travelers Rest, SC: 800-476-4103 • Simi Valley, CA: 800-423-0150 • Fax: 864-834-3518 • www.tsbrass.com

ITEM NO.	SALES NO.	DESCRIPTION
1	012446-25NS	Quarter-Turn Cerama Cartridge w/ Check Valve, Handle, Red Index & Screw, RTC
2	012394-25NS	Quarter-Turn Cerama Cartridge w/ Check Valve, RTC
3	001193-19NS	Red Button Index, Press-in
4	018506-19NS	Blue Button Index, Press-in
5	000925-45	Lab Handle Screw
6	001638-45NS	Lever Handle (New Style)
7	012395-25NS	Quarter-Turn Cerama Cartridge w/ Check Valve, LTC
8	012447-25NS	Quarter-Turn Cerama Cartridge w/ Check Valve, Handle, Blue Index & Screw, LTC
9	001019-45	Coupling Nut Washer
10	00AA	1/2" NPT Female Eccentric Flange



EZ-K
Conversts Rigid Outlets to EasyInstall for Use with T&S Swivel Base Faucets

Product Specifications:

4" Deck Mount Faucet (Less Nozzle), Quarter-Turn Eterna Cartridges w/ Spring Checks, Lever Handles & 1/2" NPT Female Inlets

Product Compliance:

ASME A112.18.1 / CSA B125.1
NSF 61 - Section 9
NSF 372 (Low Lead Content)
ANSI A117.1 (ADA)