



FOOD EQUIPMENT

SERVING THE FOOD INDUSTRY SINCE 1951

COUNTERTOP SINGLE AND DOUBLE BULB HEAT LAMP

Item #:39602/ 39601

Model: FW-CN-0736/ FW-CN-0936



- Great for fast food restaurants, snack bars, catering, concession stands and buffets
- Perfect for keeping potato wedges, french fries, chicken or onion rings warm and ready to serve
- CE certified



Applies to item 39601 only



Authorized Dealer

Detail Shots



275 Watt
Infrared Bulbs



Ventilated Reflectors



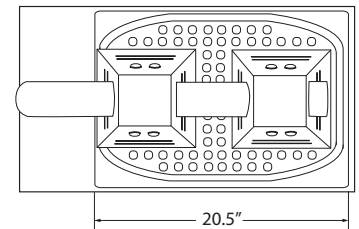
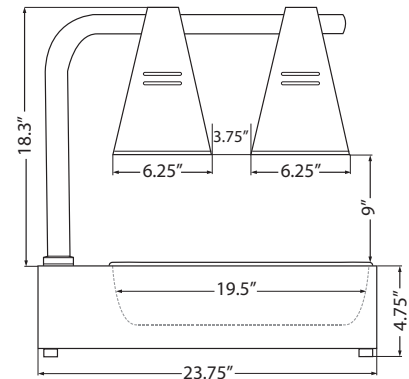
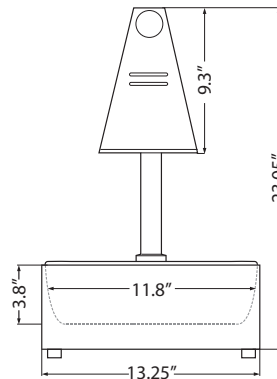
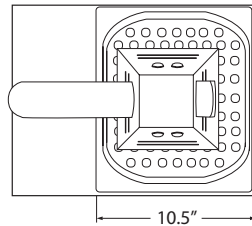
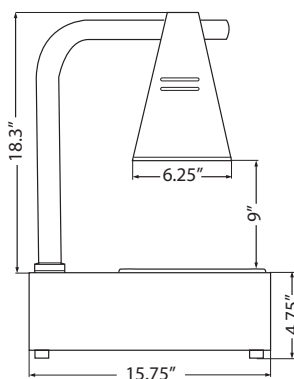
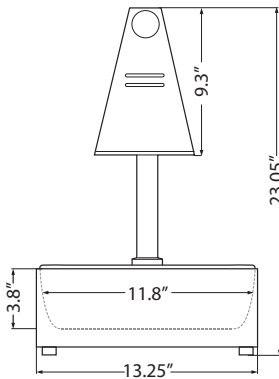
Comes with a drip tray



One switch per lamp



110-120V
Electrical connector



COUNTERTOP SINGLE BULB HEAT LAMP

| | |
|----------------------|--|
| ITEM NUMBER | 39602 |
| MODEL | FW-CN-0736 |
| INPUT POWER | 0.275 kW |
| ELECTRICAL | 110V / 60Hz |
| NET WEIGHT | 14 lbs. / 6 kg. |
| PACKAGING WEIGHT | 16 lbs. / 7 kg. |
| DIMENSIONS (DWH) | 15.7" x 13.25" x 23.05" 40 x 33.7 x 58.5 cm |
| PACKAGING DIMENSIONS | 16" x 18" x 25" / 406 x 457 x 635 mm |

COUNTERTOP DOUBLE BULB HEAT LAMP

| | |
|----------------------|---|
| ITEM NUMBER | 39601 |
| MODEL | FW- CN-0936 |
| INPUT POWER | 0.275 kW |
| ELECTRICAL | 110V / 60Hz |
| NET WEIGHT | 12 lbs. / 5.5 kg. |
| PACKAGING WEIGHT | 14 lbs. / 6.4 kg. |
| DIMENSIONS (DWH) | 23.75" x 13.25" x 23.05" 60.3 x 33.7 x 58.5 cm |
| PACKAGING DIMENSIONS | 16" x 26" x 24" / 406 x 660 x 409.6 mm |

OMCAN INC.

Telephone: 1-800-465-0234
 Fax: (905) 607-0234
 E-mail: sales@omcan.com
 Website: www.omcan.com



Follow us to keep up to date with the latest news and offers

