



Features

- Remote condensers for CIM, GEM and MFI models.
- Vertical air discharge.
- Easy assembly and installation with precharged line sets.
- Efficient PSC motor reduces energy usage.
- Constructed from corrosion-resistant galvanized steel.
- Remote systems reduce air conditioning requirements and cost.
- Condenser fan is located outside, ensuring quieter interior operation for customers.

Specifications

Model Number	Description	Voltage Characteristics	Fan Watts	Shipping Weight lbs (kg)	*Max. Circuit Breaker
RC100G40	Remote Condenser for models GEM0650R and MFI800R	115/60/1	93	90 (41)	15 amps

* If on separate circuit from ice machine head.
Replaces remote condenser RGA0501-HM.

Operating Requirements

	MINIMUM	MAXIMUM
Remote Condenser Temp.	-20°F (-29°C)	120°F (50°C)

Required Accessories

Model Number	Description	Shipping Weight lbs (kg)
RL404-25 (Replaces RT325404)	25 ft (7.6 m) Precharged Line Set / Tubing Kit for R404A Models	13 (6)
RL404-40 (Replaces RT340404)	40 ft (12.0 m) Precharged Line Set / Tubing Kit for R404A Models	18 (8)
RL404-75 (Replaces RT375404)	75 ft (22.9 m) Precharged Line Set / Tubing Kit for R404A Models	36 (16)
KRL-25	25 ft (7.6 m) Noncharged Tubing Kit, includes insulated tubing and couplings, brazing required	13 (6)
KRL-40	40 ft (12.0 m) Noncharged Tubing Kit, includes insulated tubing and couplings, brazing required	18 (8)
KRL-75	75 ft (22.9 m) Noncharged Tubing Kit, includes insulated tubing and couplings, brazing required	36 (16)

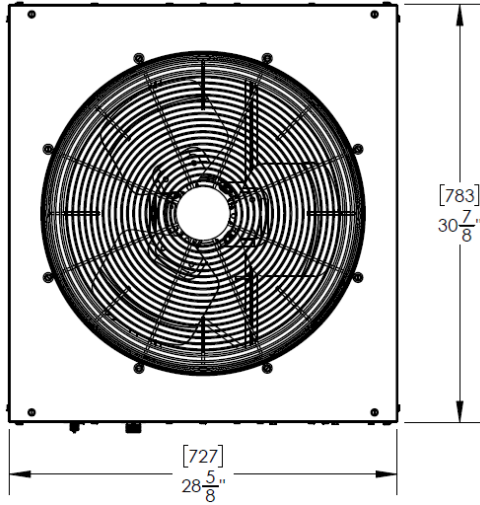
Optional couplings only kit: 1051255-01



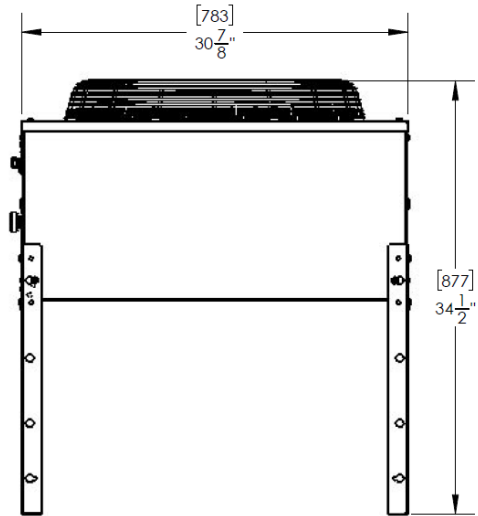
RC100G40 REMOTE CONDENSER

RC100G40 REMOTE CONDENSER

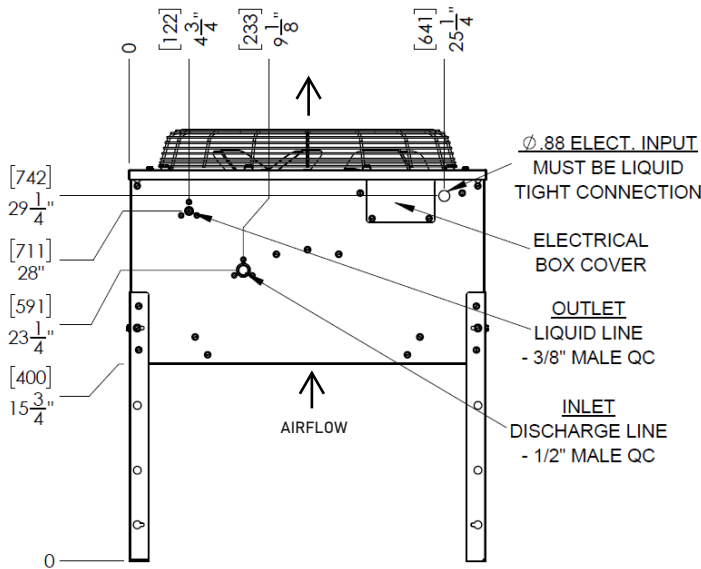
TOP VIEW



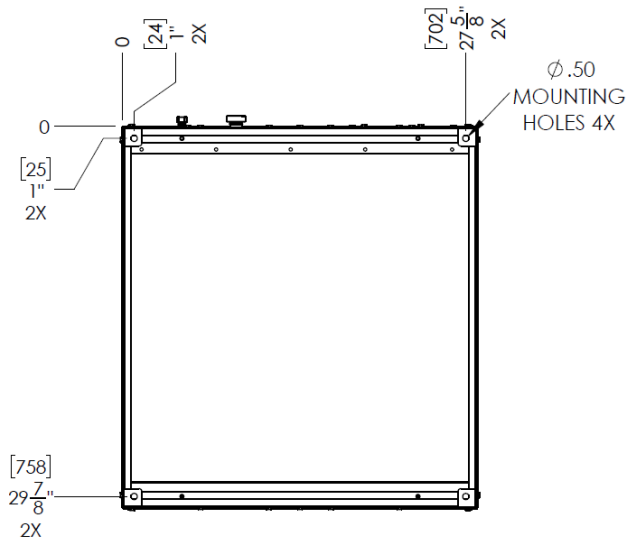
SIDE VIEW



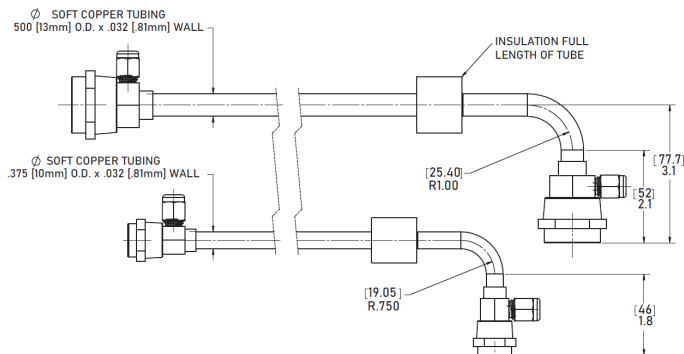
**FRONT VIEW/
ELECTRICAL CONNECTIONS**



BOTTOM VIEW



LINE SET



NOTES:

Number of Wires: 3 (including ground)
Refrigerant Type: 40 = R404A, 49 = R449A

