



Outperform every day.™

Project:
Item Number:
Quantity:

Out of Chamber Vacuum Pack Machine

The Vollrath Company, L.L.C.

OUT OF CHAMBER VACUUM PACK MACHINE



ITEMS

Item	Model	Description
40858	Junior	Out-of-Chamber Vacuum Pack Machine

FEATURES

- Suitable for dry products
- Stainless steel exterior
- Automatic or manual operation
- 6 ft. (1.8 m) cord with plug
- Requires specific bag type

ACCESSORIES

- 40812 - Vacuum Pack Bag 6" x12" (15.2 x 30.5 cm)
- 40813 - Vacuum Pack Bag 8" x 12" (20.3 x 30.5 cm)
- 40814 - Vacuum Pack Bag 10" x 14" (25.4 x 35.6 cm)

DESCRIPTION

Vollrath's Out of Chamber Vacuum Pack Machine extends the shelf life of foods and cuts down on waste due to spoilage.

WARRANTY: All models shown come with Vollrath's standard warranty against defects in materials and workmanship. For full warranty details, please refer to www.Vollrath.com.

Agency Listings



Due to continued product improvement, please consult www.vollrath.com for current product specifications.

Approvals

Date

Approvals	Date



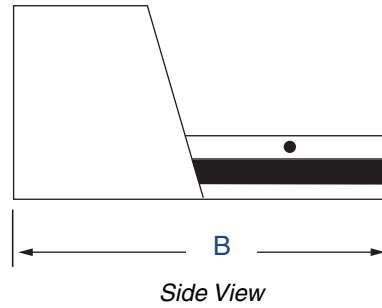
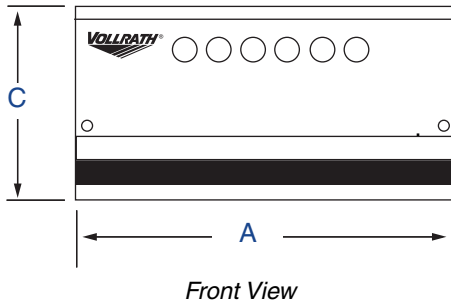
Outperform every day.™
www.vollrath.com

The Vollrath Company, L.L.C.
1236 North 18th Street
Sheboygan, WI 53081-3201 U.S.A.
Customer Service: 800.628.0830
Canada Customer Service: 800.695.8560
Main Fax: 800.752.5620 or 920.459.6573

Technical Services: 800.628.0832
Technical Services Fax: 920.459.5462

OUT OF CHAMBER VACUUM PACK MACHINE

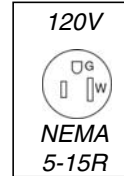
DIMENSIONS (Shown in inches (cm))



SPECIFICATIONS

Item No.	Dimensions				HP	Volts	Watts	Amps	Hz	Ship Weight lb (kg)	Plug
	(A) Width	(B) Depth	(C) Height	Sealing Bar Length							
40858	14 ³ / ₄ (37.5)	11 ¹ / ₁₆ (29.7)	5 ¹ / ₁₆ (14.5)	12 ³ / ₁₆ (31)	.6	120	380	3.3	60	15 (6.8)	NEMA 5-15P

Receptacle



Outperform every day.™

www.vollrath.com

The Vollrath Company, L.L.C.
 1236 North 18th Street
 Sheboygan, WI 53081-3201 U.S.A.
 Customer Service: 800.628.0830
 Canada Customer Service: 800.695.8560
 Main Fax: 800.752.5620 or 920.459.6573

Technical Services: 800.628.0832
 Technical Services Fax: 920.459.5462