



ITEM #: _____ QTY: _____
 MODEL #: _____
 PROJECT NAME: _____

040519

3601 S. Banker St. Effingham, IL 62401 • P.O. BOX 609 • Ph: (888) 431-2667 • Fax: (800) 433-2667

"PB-TD" WALL MOUNT TOWEL DISPENSER



FEATURES:

- FOLD OUT TOWEL DISPENSER WITH MAGNET CATCHES
- USE WITH C-FOLD TOWELS
- MOUNTS TO WALL WITH SCREWS
- FOR USE WITH ANY 12" WIDE HAND SINK WITH 9" X 9" BOWL OR STANDALONE USE

MATERIAL:

- 18 GAUGE TYPE 300 STAINLESS STEEL WITH #4 POLISH SATIN FINISH

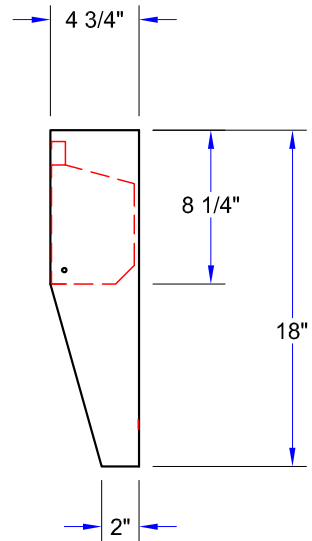
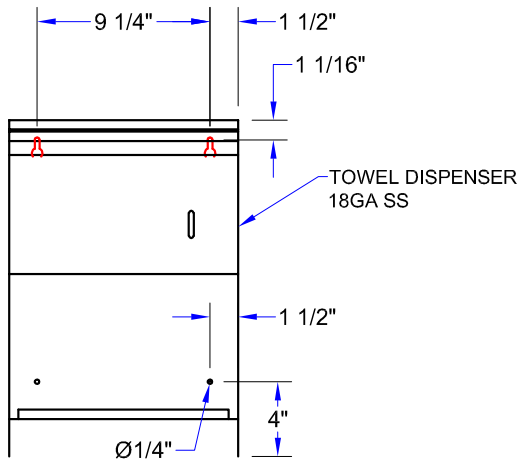
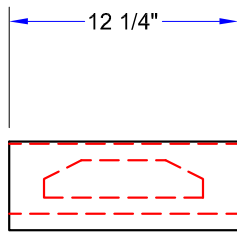


PB-TD-0909

MODEL	QTY
PB-TD-0909	

DETAILED SPECIFICATIONS

PB-TD-0909



"PB-TD" WALL MOUNT TOWEL DISPENSER

MODEL	DIMENSIONS (LXWXH)	WEIGHT (LBS)
PB-TD-0909	12-1/4" X 4-3/4" X 18"	11.5

SOME UNITS SHIP UNASSEMBLED FOR REDUCED SHIPPING COST. ALL DIMENSIONS ARE TYPICAL. TOLERANCE +/- .500"
 John Boos & Co. is constantly engaged in a program of improving products and therefore reserves the right to change specifications without prior notice.



3601 S. Banker St. • Effingham, IL 62401 • PO BOX 609 • quotes@johnboos.com

www.johnboos.com

032119

1019