

# "DSS" WOOD TOP WORK TABLES

*w/Stainless Steel Base & Shelf - 1 3/4" Thick Top w/4" Riser On Back & Sides*

**FEATURES:**

- 1-3/4" Thick Northern Hard Rock Maple Top
- Top Is Finished With Penetrating Oil With Optional Natural Clear Varnique Finish (Varnique Finish Voids NSF)
- Stainless Steel Base And Adjustable Undershelf
- Adjustable Bullet Feet
- Shipped Knocked-Down, Easy-To-Assemble

**SPECIFICATIONS:**

- Top: Northern Hard Rock Maple
- Legs: 16GA Stainless Steel
- Undershelf: 18GA Stainless Steel (6' Tables Come With 16GA Galvanized Steel)
- Gussets: Stainless Steel
- Feet: 1" Adjustable Stainless Steel

**CERTIFICATIONS:**



## ACCESSORIES

**DESCRIPTION**

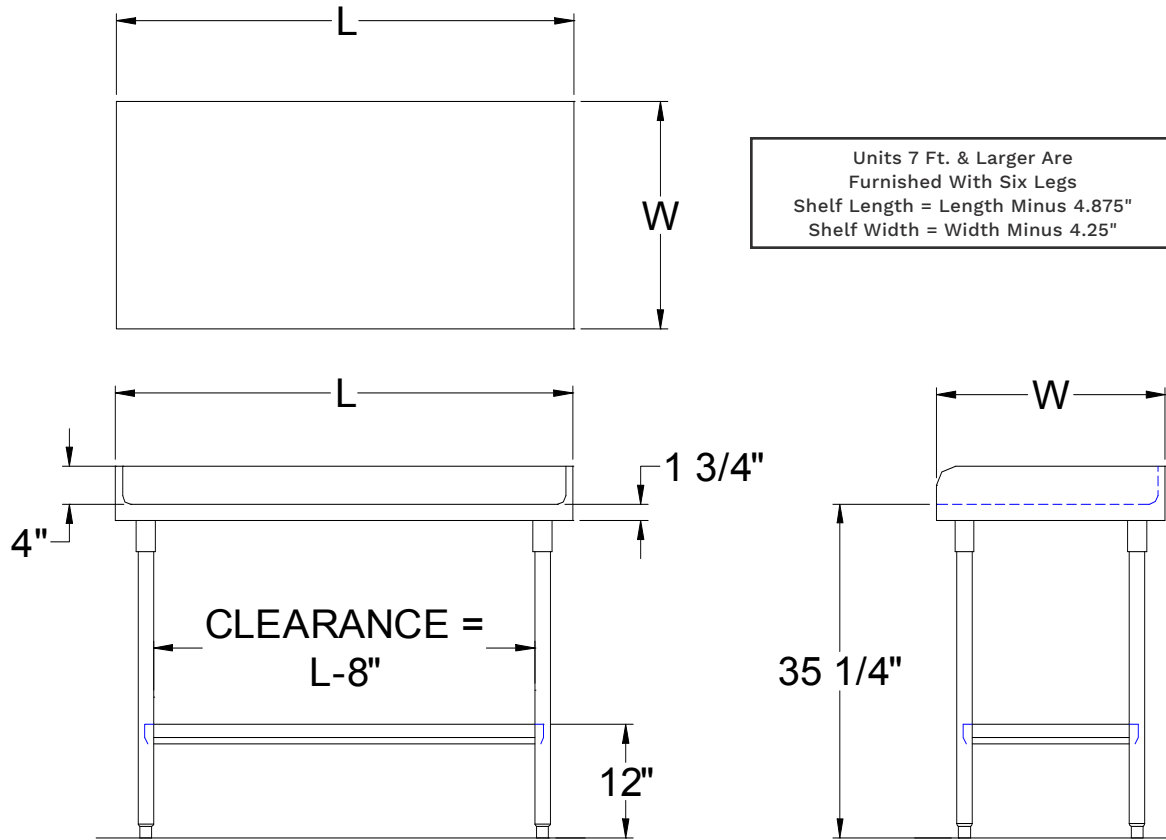
- Drawer
- Drawer Lock
- Casters
- Overshelves
- Pot Rack

## "DSS" WOOD TOP WORK TABLES

LENGTH	24" WIDE	WT (LBS)	30" WIDE	WT (LBS)	36" WIDE	WT (LBS)
48"	DSS01	124	DSS06	147	DSS11	169
60"	DSS02	147	DSS07	174	DSS12	201
72"	DSS03	174	DSS08	207	DSS13	241
84"	DSS03A	194	DSS08A	231	DSS13A	269
96"	DSS04	214	DSS09	255	DSS14	296
108"	DSS04A	241	DSS09A	287	DSS14A	332
120"	DSS05	268	DSS10	318	DSS15	368

ALL DIMENSIONS ARE TYPICAL. TOLERANCE +/- .500". JOHN BOOS & CO. RESERVES THE RIGHT TO CHANGE SPECIFICATIONS WITHOUT NOTICE.

# DETAILED SPECIFICATIONS



## "DSS" WOOD TOP WORK TABLES

LENGTH	24" WIDE	WT (LBS)	30" WIDE	WT (LBS)	36" WIDE	WT (LBS)
48"	DSS01	124	DSS06	147	DSS11	169
60"	DSS02	147	DSS07	174	DSS12	201
72"	DSS03	174	DSS08	207	DSS13	241
84"	DSS03A	194	DSS08A	231	DSS13A	269
96"	DSS04	214	DSS09	255	DSS14	296
108"	DSS04A	241	DSS09A	287	DSS14A	332
120"	DSS05	268	DSS10	318	DSS15	368

ALL DIMENSIONS ARE TYPICAL. TOLERANCE +/- .500". JOHN BOOS & CO. RESERVES THE RIGHT TO CHANGE SPECIFICATIONS WITHOUT NOTICE.