



The Signature of Quality®

FEDERAL INDUSTRIES

A Standex Company

215 Federal Avenue Belleville
Wisconsin 53508-9201

Phone: 800-356-4206

Fax: 608-424-3234

Email: Geninfo@Federalind.com

Website: Federalind.com

Project Name: _____

AIA #

Item #: _____

Model #: _____ Qty: _____

SIS #

Approval: _____

Italian Glass 26" Non-Refrigerated Display Case

Designed for customers looking for rich, up-scale Italian styling for maximum visual appeal that will drive product sales.



Model ITD4834-B18
Shown with options

MODEL	DIMENSIONS (Includes End Panels)
<input type="checkbox"/> ITD3626-B18	36 x 30.75 x 44 (in) 914 x 781 x 1118 (mm)
<input type="checkbox"/> ITD4826-B18	48 x 30.75 x 44 (in) 1219 x 781 x 1118 (mm)
<input type="checkbox"/> ITD6026-B18	60 x 30.75 x 44 (in) 1524 x 781 x 1118 (mm)

STANDARD FEATURES

Model Features

- Powder coated steel base construction with a choice of standard laminates
- Tempered thermo-pane glass construction
- Tilt-out front glass for easy cleaning
- Stainless steel interior
- Removable sliding glass rear doors
- Cord & Plug (6")
- Adjustable Leg levelers

Shelving

- Two tiers of adjustable tempered glass shelves are adjustable up and down and can be tilted in two positions (0°/ 5° angle).

Lighting

- 3500K LED top light and shelf lights
- DLC certified, IP66 rated

Agency Approvals

- UL and UL Sanitation Listed to NSF-2
- DOE 2017 Compliant.

OPTIONAL ACCESSORIES

- | | |
|---|--|
| <input type="checkbox"/> Premium exterior laminates | <input type="checkbox"/> Joining Kit for Continuous Line-Ups |
| <input type="checkbox"/> Stainless Steel Exterior | <input type="checkbox"/> 4" (102mm) casters |
| <input type="checkbox"/> Stainless Steel Shelving | <input type="checkbox"/> Recessed casters |
| <input type="checkbox"/> All 17" Deep Stainless Steel or glass shelving | <input type="checkbox"/> 6" (152mm) legs with or without skirt |
| <input type="checkbox"/> Reflective Rear Doors | <input type="checkbox"/> Rear Package Shelf |
| <input type="checkbox"/> Reflective Ends | |



WARRANTY*
One year Parts and Labor
2nd thru 5th year part only
service compressor
(U.S.A. and Canada)

Note: Information is subject to change at any time. Visit www.federalind.com For the most current specs.


AIA #
SIS #

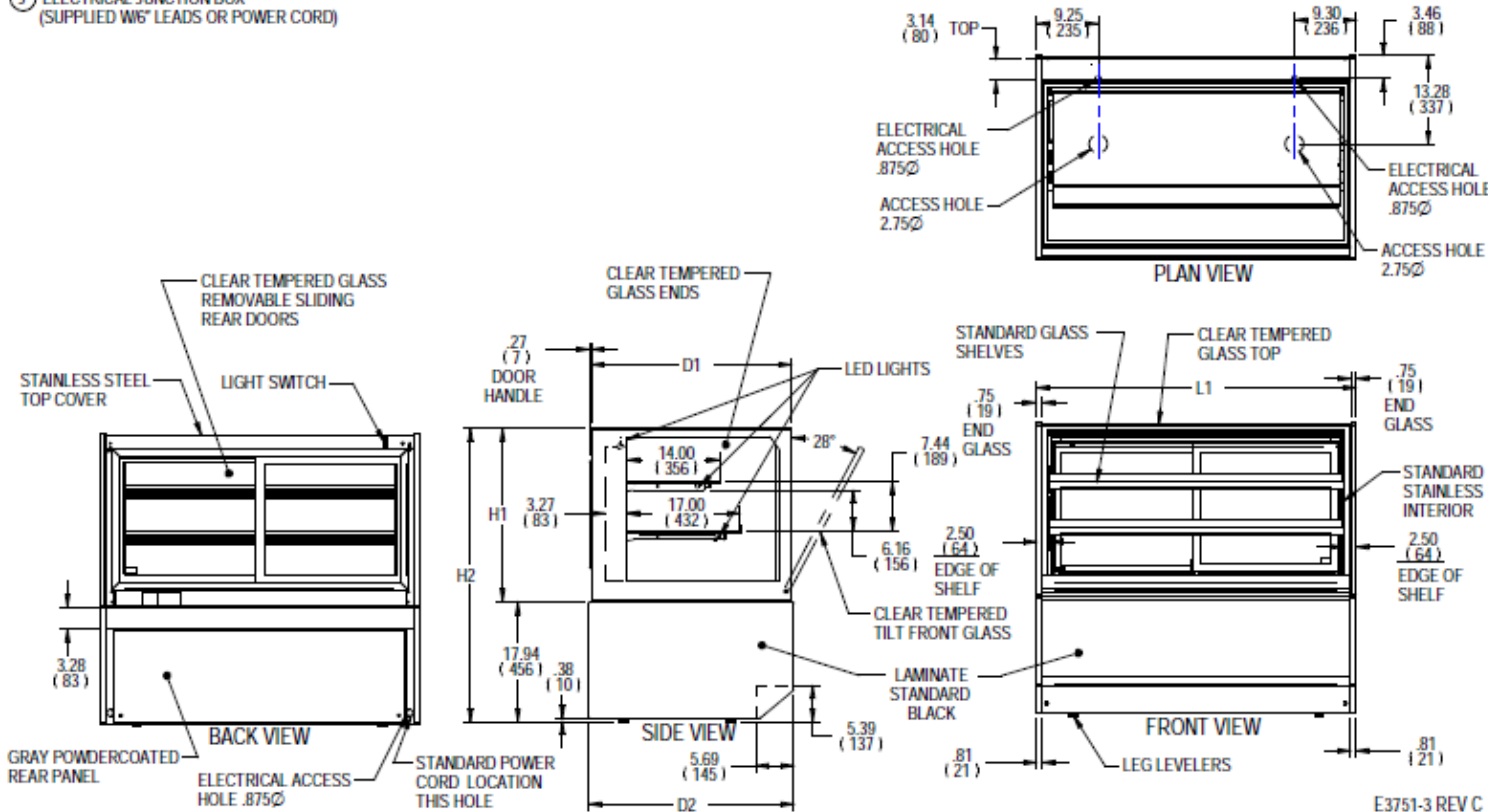
Italian Glass 26" Non-Refrigerated Display Case

Product Specifications

Zone	Intended product to be displayed	Avg prod temp °F / °C
All	Non-refrigerated food products	N / A

DIMENSION: xx"/(mm)

SYMBOL KEY:
 ELECTRICAL JUNCTION BOX
 (SUPPLIED W/6 LEADS OR POWER CORD)



DIMENSION TOLERANCE +/- 0.19 (4.8)

MODEL	DIMENSION					SHELVING			DISPLAY AREA SQ IN	INTERIOR VOLUME CU FT	PERMANENT CONNECT		OPTIONAL NEMA CORD & PLUG	SHIP WEIGHT	
	L	D1	D2	H1	H2	# OF TIERS	DT	DB			L	2-WIRE + GROUND			
	in	in	in	in	in		in	in			in	120/60/1			
	mm	mm	mm	mm	mm		mm	mm			mm	AMPS			MAX FUSE SIZE
ITD3626-B18	36.00	30.00	30.75	26.00	44.00	2	14	17	30.88	1630 SQ IN	11.4 CU FT	1.5	15	NEMA 5-15P	550 LBS
	914	762	781	660	1118		356	432	784						249 KILO
ITD4826-B18	48.00	30.00	30.75	26.00	44.00	2	14	17	42.88	2240 SQ IN	15.4 CU FT	1.5	15	NEMA 5-15P	640 LBS
	1219	762	781	660	1118		356	432	1089						290 KILO
ITD6026-B18	60.00	30.00	30.75	26.00	44.00	2	14	17	54.88	2850 SQ IN	19.0 CU FT	1.5	15	NEMA 5-15P	700 LBS
	1524	762	781	660	1118		356	432	1394						317 KILO

• Due to continuing engineering improvements, specifications are subject to change without notice.



FEDERAL INDUSTRIES

A Standex Company

215 Federal Avenue Belleville, Wisconsin 53508-9201

Phone: 800-356-4206

Fax: 608-424-3234

Email: Geninfo@Federalind.com

Website: Federalind.com