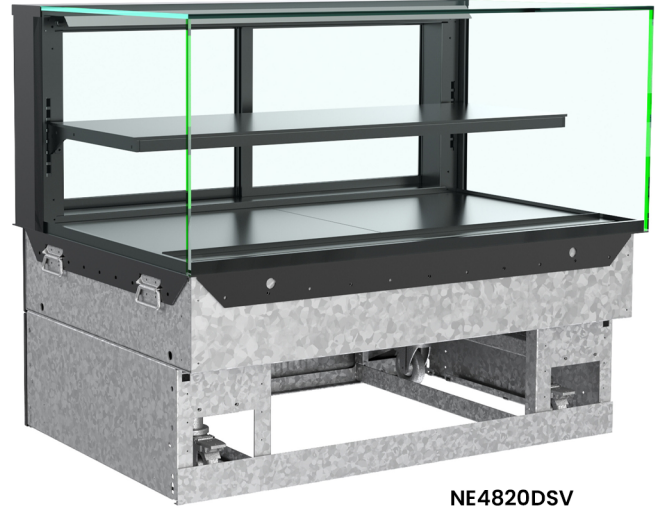


- **NE3620DSV** 35-3/4"L x 33"D x 20-3/8"H
- **NE4820DSV** 47-3/4"L x 33"D x 20-3/8"H

### Included

- NOTE: Glass warranty only applicable to first point of delivery
- (1) Level of clear glass shelving removable and adjustable on 1" centers
- LED top & shelf lights
- NOTE: Overall case height is 39-5/8" (includes below counter)
- One piece formed ABS plastic tub
- One year parts & labor warranty
- Vertical, fixed front & side UV bonded frameless glass



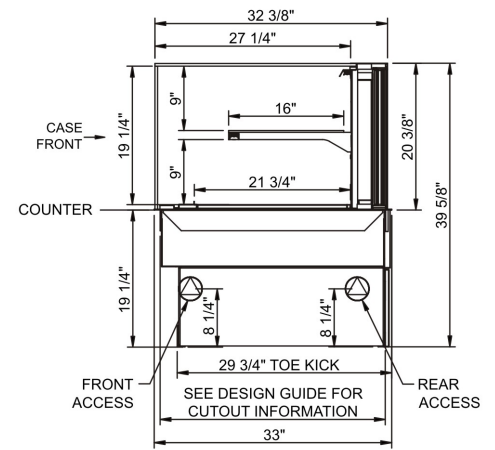
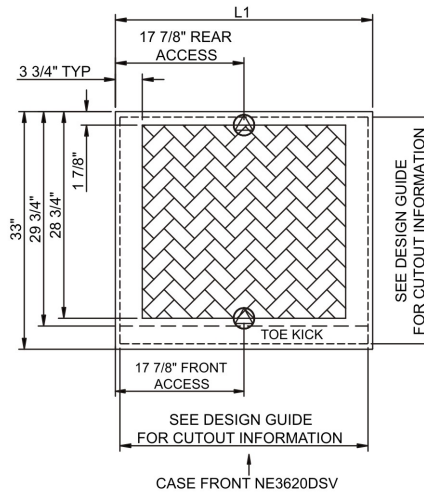
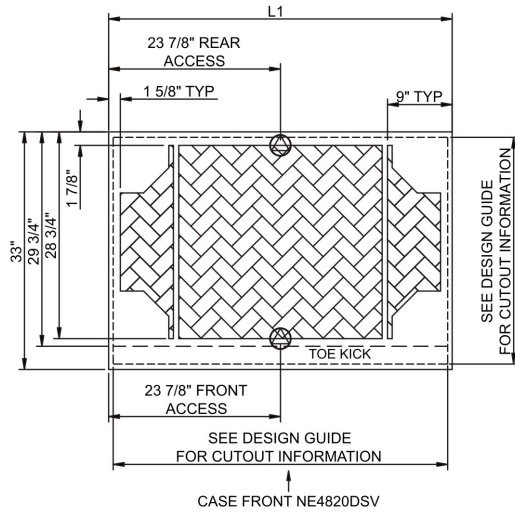
NE4820DSV

Specify	Standard Features	Additional Options
<b>FRAME EXTERIOR COLOR</b>	• Powder coated Silversan Black	• Powder coated (stock/non-stock colors) • Stainless steel
<b>INTERIOR COLOR</b>	• Powder coated Silversan Black	• NOTE: Interior color must be FDA & NSF approved • Powder coated (stock colors, specify RAL#) • Stainless steel
<b>BASE SUPPORT</b>	• Adjustable, locking casters	• 6"H legs
<b>LEFT END GLASS</b>	• Glass end	• No end glass
<b>RIGHT END GLASS</b>	• Glass end	• No end glass
<b>REAR DOORS</b>	• Clear glass rear sliding doors	• Reflective glass rear sliding doors
<b>LIGHTS</b>	• LED 3500K w/ frosted lens	• LED 3000K w/ frosted lens • LED 4000K w/ frosted lens
<b>ELECTRICAL CONNECTION</b>	• 6' Straight blade power cord	• 6' Locking blade power cord • Electrical leads (non-refrigerated)
<b>REAR NON-VENTED PANEL</b>	• None	• Note: Same as Rear Vented Panel without vents • Powder coated (stock/non-stock colors) • Stainless steel
<b>MISCELLANEOUS</b>		• Adjustable lower cladding (CDR7842) • Rear door lock • Second year parts & labor warranty

<b>Intended Environment:</b> Type I - Designed to operate in ambient conditions of 75°F with 55% relative humidity unless noted otherwise in system information below.		
<b>Zone</b>	<b>Intended Product To Be Displayed</b>	<b>Warmest Avg Prod Temp ° F</b>
1	Unpackaged non-refrigerated products	Ambient

## PLAN VIEW

## SIDE VIEW



**NOTE: ALL DIMENSIONS APPROXIMATE**

- ELECTRICAL JUNCTION BOX (SUPPLIED WITH 6" LEADS OR POWER CORD).
- LOCATION OF DRAIN TUBE FOR REMOTE REF. ONLY (SUPPLIED WITH 3/4" OR 1 1/2" PVC TUBE).

- REFRIGERATION LINE CONNECTION.
- REMOTE FLOOR SINK & UTILITIES ACCESS AREA.

- SELF-CONTAINED CASE SERVICE ACCESS AREA.
- DRY CASE SERVICE ACCESS AREA.

Model Technical Specifications																
Model	L"	L1"	L2"	System Circuit Volts	Circuit #1	Phs	Freq	Amps ***	Watts	Wires	NEMA Plug	SST	Conv. Rack BTUH	Para. Rack BTUH	Est Wt	
NE3620DSV	N/A	35.75	.00	Ambient/Lights (N/A)	Circuit #1	110-120	1	60	0.70	8	2+G	5-15P or L5-15P	N/A	N/A	N/A	650
NE4820DSV	N/A	47.75	.00	Ambient/Lights (N/A)	Circuit #1	110-120	1	60	0.70	11	2+G	5-15P or L5-15P	N/A	N/A	N/A	850

\*\*\* Does not include electric defrost on freezer models.

Regulatory Approvals:	
All Models	ETL Listed to UL 65 ETL Sanitation to NSF/ANSI 2



### Important Notes:

- ELECTRICAL NOTE: If GFCI is required, a GFCI breaker MUST be used in lieu of a GFCI receptacle.
- 19.25" minimum space required beneath counter surface.
- Glass warranty only applicable to first point of delivery.

**⚠ WARNING:** This product can expose you to chemicals, including Urethane (Ethyl Carbamate), which are known to the State of California to cause cancer and birth defects or other reproductive harm. For more information go to [www.P65Warnings.ca.gov](http://www.P65Warnings.ca.gov).