



T&S BRASS AND BRONZE WORKS, INC.
 2 Saddleback Cove / P.O. Box 1088
 Travelers Rest, SC 29690

Model No.
B-0665-BSTP

Item No.

Travelers Rest, SC: 800-476-4103 • Simi Valley, CA: 800-423-0150 • Fax: 864-834-3518 • www.tsbrass.com



ADA Compliant

This Space for Architect/Engineer Approval

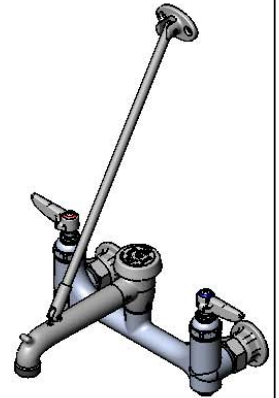
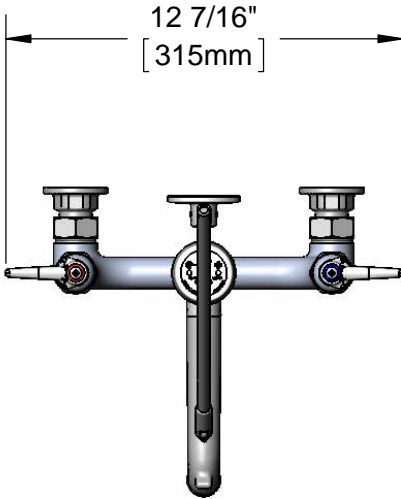
Job Name _____ Date _____

Model Specified _____ Quantity _____

Customer/Wholesaler _____

Contractor _____

Architect/Engineer _____



Support Rod w/
 Wall Bracket &
 Mounting Screws

Items Not Shown
 for Clarity

B-0969
 1/2" NPT Vacuum
 Breaker

Eterna Cartridges w/ Spring
 Check & Lever Handles w/
 Color Coded Indexes

Garden Hose
 Male Outlet

Ø 2" [51mm]
 Flanges w/
 1/2" NPT
 Female Inlets

Built-In Service
 Stops

Mounting
 Surface

14 1/2"
 [368mm]

3 15/16"
 [101mm]

8"
 [203mm]
 Adjustable From
 7 3/4" to 8 1/4"
 [197mm to 210mm]

2 11/16"
 [68mm]

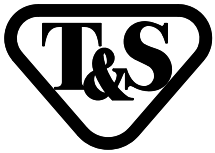
9 1/8"
 [232mm]

Product Specifications:

8" Wall Mount Service Sink, Eterna Cartridges w/ Spring Checks, Lever Handles, Upper Support Rod, Built-In Stops, Garden Hose Male Outlet, Polished Chrome Finish, 1/2" NPT Vacuum Breaker & 1/2" NPT Female Inlets

Product Compliance:

ASME A112.18.1 / CSA B125.1
 NSF 61 Exempt (Non-Potable)
 ANSI A117.1 (ADA)
 ASSE 1001 (VB)



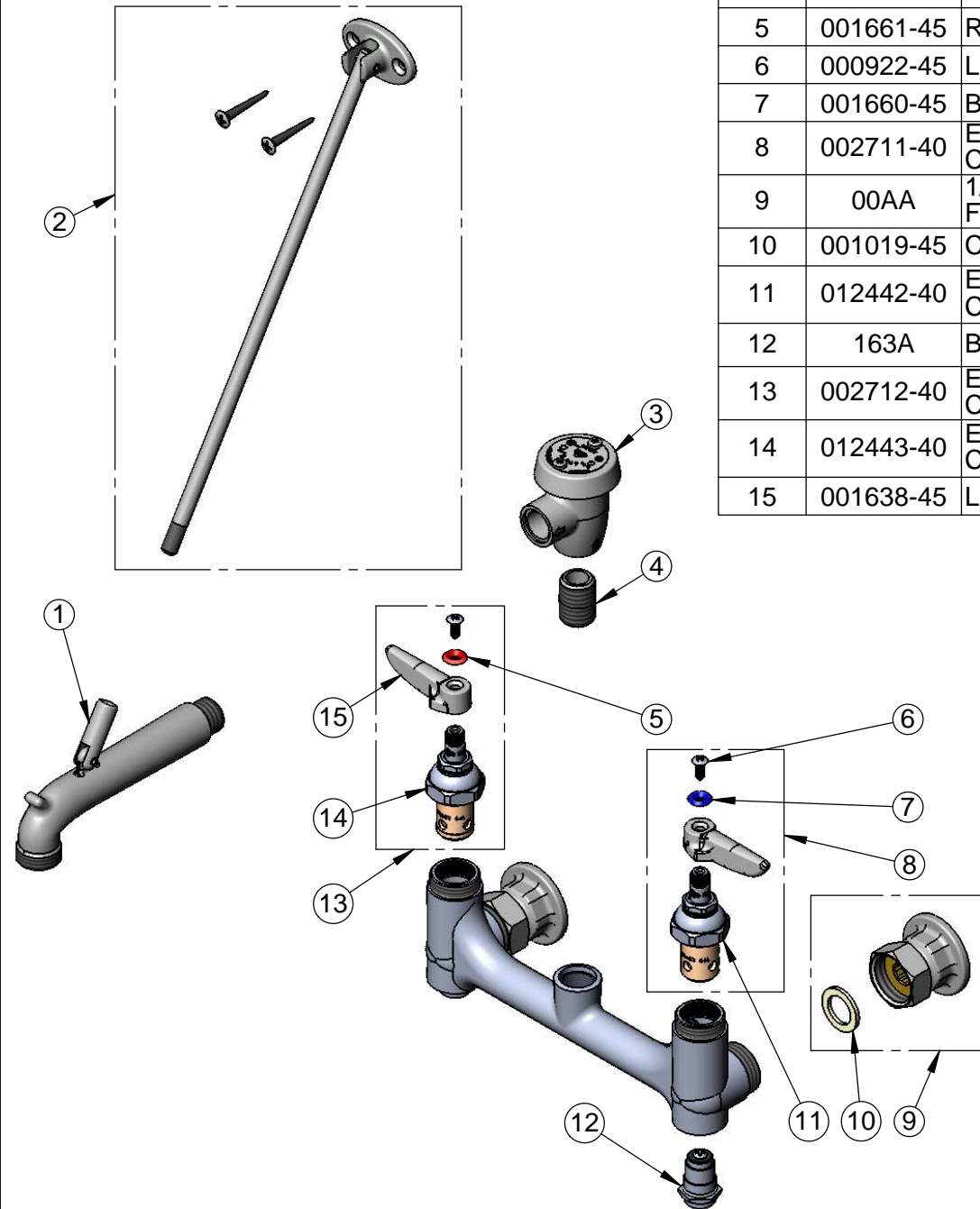
T&S BRASS AND BRONZE WORKS, INC.
 2 Saddleback Cove / P.O. Box 1088
 Travelers Rest, SC 29690

Model No.
B-0665-BSTP

Item No.

Travelers Rest, SC: 800-476-4103 • Simi Valley, CA: 800-423-0150 • Fax: 864-834-3518 • www.tsbrass.com

ITEM NO.	SALES NO.	DESCRIPTION
1	009545-40	Spout w/ Male GH Outlet & Upper Clevis - Polished Chrome
2	009546-40	Upper Support Rod
3	B-0969	1/2" NPT Vacuum Breaker
4	002534-25	Close Nipple, 1/2" NPT
5	001661-45	Red Index-HW
6	000922-45	Lever Handle Screw
7	001660-45	Blue Index-CW
8	002711-40	Eterna Cartridge, LTC w/ Spring Check, Handle, Index & Screw
9	00AA	1/2" NPT Female Eccentric Flange
10	001019-45	Coupling Nut Washer
11	012442-40	Eterna Cartridge, LTC w/ Spring Check
12	163A	Built-in Service Stop
13	002712-40	Eterna Cartridge, RTC w/ Spring Check, Handle, Index & Screw
14	012443-40	Eterna Cartridge, RTC w/ Spring Check
15	001638-45	Lever Handle



Product Specifications:
 8" Wall Mount Service Sink, Eterna Cartridges w/ Spring Checks, Lever Handles, Upper Support Rod, Built-In Stops, Garden Hose Male Outlet, Polished Chrome Finish, 1/2" NPT Vacuum Breaker & 1/2" NPT Female Inlets

Product Compliance:
 ASME A112.18.1 / CSA B125.1
 NSF 61 Exempt (Non-Potable)
 ANSI A117.1 (ADA)
 ASSE 1001 (VB)