



Deep Drawn 2 Compartment Drop-In Sink

Drop In Sinks

Certifications:



Features:

- Deep Drawn Construction for a seamless and more appealing design
- Traditional Top Mount
- Includes (2) BKDR-4 Drains
- Faucet Holes 4" O.C.

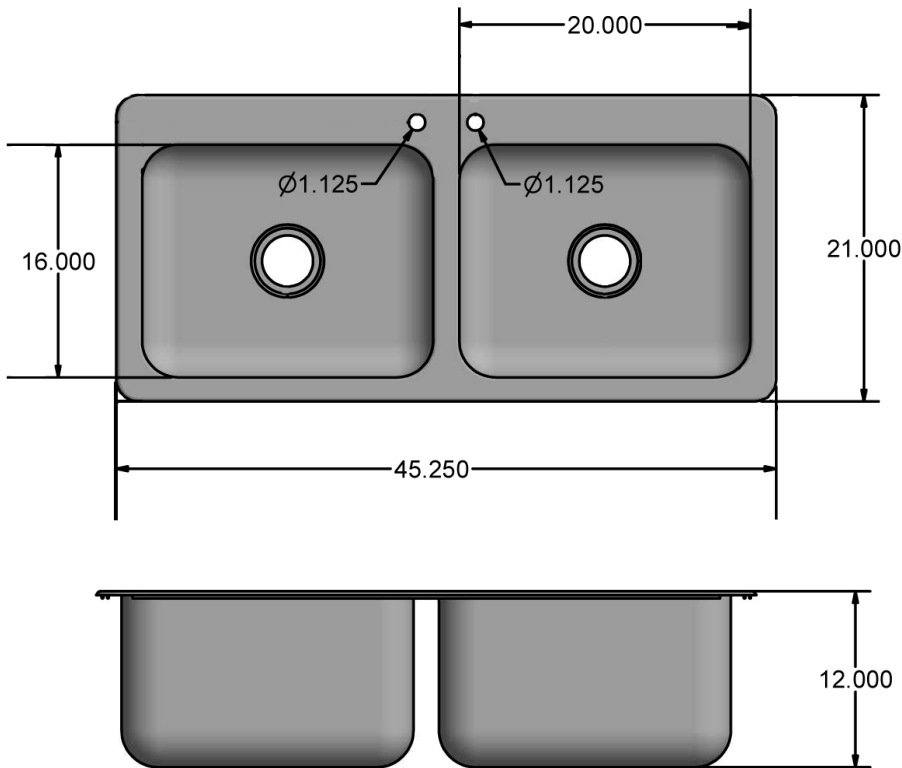
Material:

- T-304 18 ga. Stainless Steel

Options:

- Upgrade to OptiFlow Heavy Duty Faucets or Evolution Stainless Steel Faucets
- Wrist Blades
- "-P-G" Includes BKD-8G-G Lead-Free Faucet

Part Number	Unit Size (l x w x d)	Bowl Size (l x w x d)	Included Faucet	Product Weight (lbs)
DDI2-20161224	45 ^{1/4} " x 21" x 12" (d)	20" x 16" x 12" (d)	-	31.00
DDI2-20161224-P-G	45 ^{1/4} " x 21" x 12" (d)	20" x 16" x 12" (d)	BKD-8G-G	40.00



PRODUCT DATA SHEET

BK RESOURCES

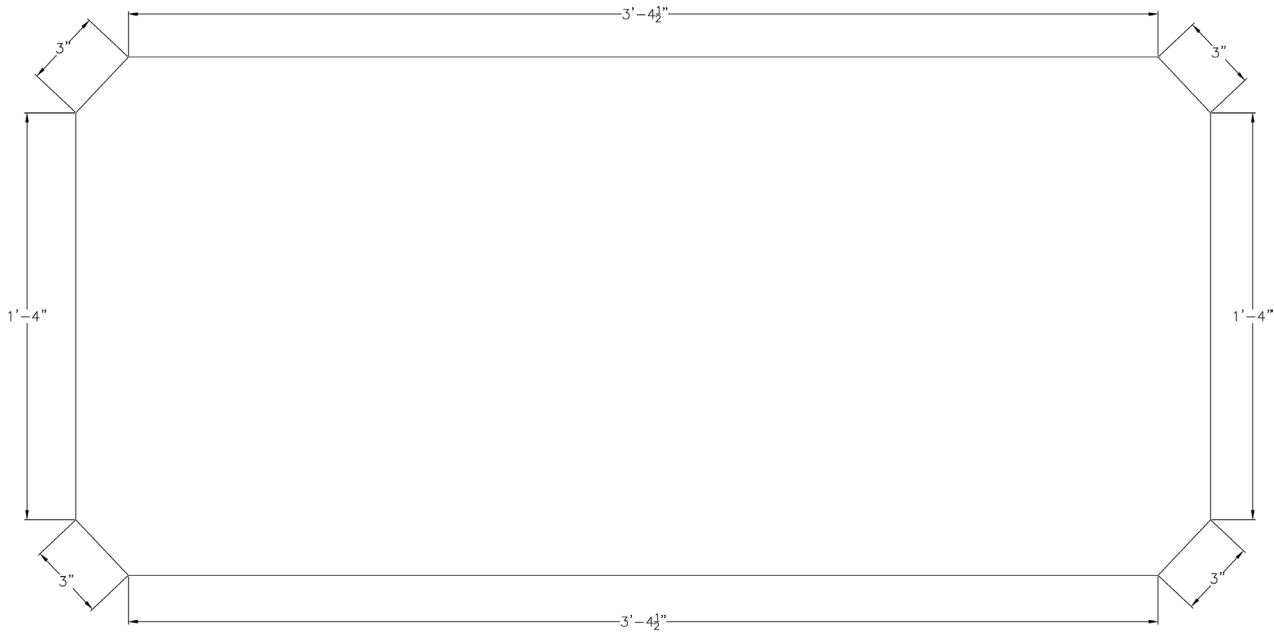




Deep Drawn 2 Compartment Drop-In Sink

Drop In Sinks

Recommended Cutout Size



PRODUCT DATA SHEET

BK RESOURCES

