

|                          |            |
|--------------------------|------------|
| Project: _____           | AIA# _____ |
| Item #: _____ Qty: _____ | SIS# _____ |
| Model #: _____           |            |

## Mobile Ice Cream Freezer

FRM-2



FRM-2

### Standard Features

- All stainless steel exterior with 16 gauge galvanized steel exterior bottom.
- Completely integrated design - not just a cabinet with separate drop-in module
- All stainless steel interior liner with radius corners for easy cleaning
- One-piece, seamless top
- Includes four 3" casters, with two locking casters
- Eco friendly foamed-in-place insulation has zero impact on global warming or ozone depletion
- Eight foot grounded cord and plug provided, exits at rear
- Designed to accommodate outlet behind unit and still sit flush against the wall
- Holds two 3-gallon containers



**Intertek**

EP 5016978  
Energy Performance  
Verified / Rendement  
Énergétique Vérifié



**Intertek**

4004503  
Conforms to NSF/ANSI STD 7  
and UL STD 471  
Certified to CSA STD C22.2 No. 120



**Intertek**

### Standard Features

#### Capacity

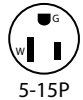
- Two 3-gallon containers

#### Product Storage Clearance Dimensions

- 10-1/16" x 20-1/16" x 12-1/4"H

#### Electrical

- 120V, 1 phase, 60 Hz, 3.5 full load amps
- Dedicated 15 amp circuit is recommended
- Includes 8 foot NEMA 5-15P grounded cord and plug



#### Refrigeration

- 1/4 HP, 0.06 Ton, R290 100g (3.53 oz)
- 1,433 BTU/hr heat rejection

#### Operating Range

- -5°F (-20°C) to 10°F (-12°C)

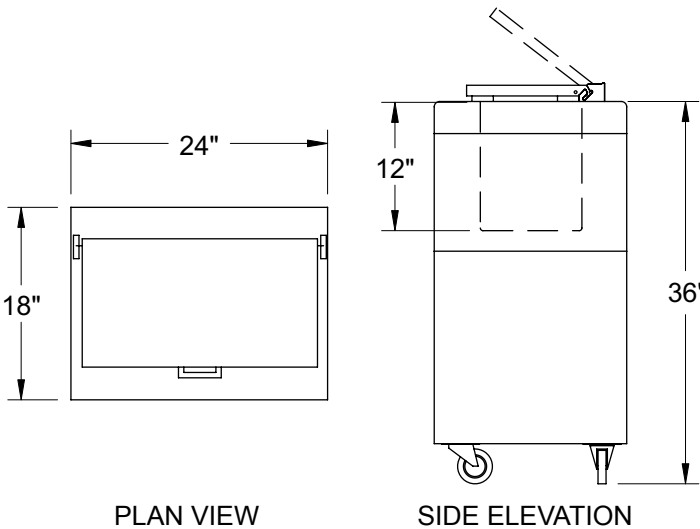
#### Casters

- Four 3" heavy duty rubberized casters
- The two server side casters are locking

#### Materials

- Stainless steel parts include: all components unless otherwise noted
- Galvanized steel parts include: cabinet floor, condensing unit floor, and base channels

### Dimensional Information



PLAN VIEW

SIDE ELEVATION

**Glastender, Inc.** • 5400 N Michigan Rd • Saginaw, MI • 48604-9780  
989.752.4275 • 800.748.0423 • Fax 989.752.4444  
www.glastender.com

Approval/Notes:

Specifications subject to change without notice. For current specifications please visit our website.