



Your Solutions Partner

# Specifications

F.O.B St. Louis, Missouri 63102



Custom Worktable w/sink, tier or drawers, riser, spice bins

OPTIONS (see other side for options):

#### AGENCY LISTING:



**DUKE MANUFACTURING CO.**  
2305 N. Broadway  
St. Louis, MO 63102

800.735.3853 Toll Free  
314.231.1130 In Missouri  
314.231.5074 Fax  
www.dukemfg.com

SS-DM-00218-AW-07

## Approval Stamp(s):

### PRODUCT INFORMATION:

PROJECT: \_\_\_\_\_

ITEM: \_\_\_\_\_

QUANTITY: \_\_\_\_\_

MODEL:

### Duke Worktables - Custom Worktables

#### TOP:

- 14 or 16 gauge, 300 or 400 Series stainless steel, as specified
- Edges turned down 90° with 1-1/2" flange
- Reinforced with heavy gauge galvanized hat channels
- Vinyl cushion between channels and underside of top

#### ADJUSTABLE UNDERSHELF:

- Heavy gauge galvanized or stainless steel, as specified
- Set screws to lock in place

#### LEGS:

- 1-5/8" diameter, stainless steel or galvanized tubular leg, as specified
- Non-marking, non-corrosive, adjustable plastic bullet feet for galvanized legs
- Stainless steel feet for stainless steel legs
- Galvanized leg sockets welded to hat channels

#### CROSS BRACING:

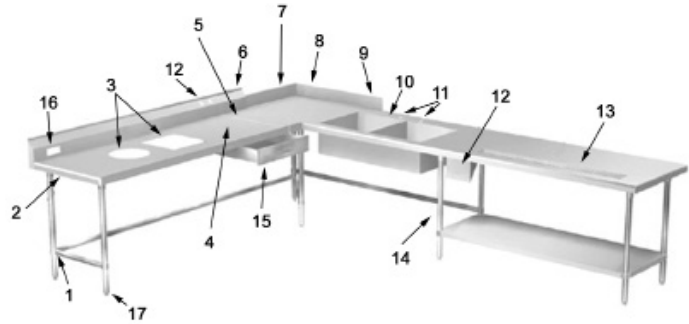
- 1-5/8" stainless steel or galvanized steel tubing
- 10" from floor
- Connected to legs with slotless, contour-head bolts

#### SHORT FORM SPECIFICATIONS:

**Duke Worktables** - Custom Tables. Stainless top shall be constructed of heavy gauge 14 gauge, 300 Series stainless steel (optional 16 gauge) top with all edges turned down 90°, with 1-1/2" flange. If Marine edge not ordered and riser only on rear of table, ends are straight down, with front having bullnose. Underside reinforced with heavy gauge galvanized hat channels with vinyl cushion between channels and underside of top for sound-deadening. Adjustable undershelf shall be of heavy gauge stainless or galvanized steel, which locks in place with set screws at any height. If adjusted to less than 6" from floor, tables will **NOT** be NSF approved. Undershelves can be ordered welded integrally to table. Cross bracing shall be 1-5/8" O.D. stainless or galvanized steel tubing formed to provide tight, sanitary contact with legs at rear and sides, leaving front of base open. Bracing to be 10" from floor, held to legs with slotless, contour-head bolts. Bracing can be ordered welded integrally to table. Legs shall have galvanized leg sockets welded to hat channels. 1-5/8" diameter, galvanized tubular legs fitted with adjustable stainless steel bullet feet. As option, galvanized legs may be fitted with stainless steel feet. Tables 96" or longer with adjustable undershelves, shall have 6 legs. Legs also available mounted on NSF approved 5" diameter swivel casters, two with locks, in lieu of adjustable feet. Weight approximately 11 lbs. per square foot, crated.

# Aerohot®

## DUKE WORKTABLES CUSTOM WORKTABLES



1. Welded Base - stainless steel undershelf or crossrails - **TABMOD-1 (4-LEGGED) / TABMOD-1A (6-LEGGED)**
2. "V" edge - ("marine edge" water retention edge"). **TABMOD-2**
- Cutouts in table top -**
- 3A. Round with raw edge - **TABMOD-3A**
- 3B. Rectangular, not over 12" on either side with raw edge - **TABMOD-3B**
- 3C. Rectangular, over 12" on either side with edges flanged down, with open corners - **TABMOD-3C**
4. "L" Shaped - Where bottom shelves are required there will be a butt joint. "L" shape not to exceed 70", on either dimension, unless field jointed - **TABMOD-4**
5. Bolted field joint (Hairline) - **TABMOD-5**
6. Deluxe riser - 4" to 8" high with 2" x 45° return of standard construction and 3/4" turnout - **TABMOD-6A/TABMOD-6B**
7. Riser - 4" x 8" high with 1" x 90° return of standard construction and 3/4" turnout - **TABMOD-7A/TABMOD-7B**
8. Straight riser - 2" x 8" high - **TABMOD--8A/TABMOD-8B/TABMOD-8C**
9. Rear riser - partial length of table/partial length not at end of table - **TABMOD-9A/TABMOD-9B**
10. Sinks - 14 ga. S/S welded into stainless steel tops - includes crumb-cup strainer drain. Faucet not included.

Sink Item#	Description
<b>180SP</b>	20" x 20" x 7" (50.8 x 50.8 x 17.8 cm)
<b>181SP</b>	20" x 20" x 14" (50.8 x 50.8 x 35.6 cm)
<b>182SP</b>	18" x 18" x 11-1/2" (45.7 x 45.7 x 29.2 cm)
<b>184SP</b>	14" x 16" x 8-1/2" (35.6 x 40.6 x 21.6 cm)

- 11A. Deck mounted or splash mounted faucet- **TABMOD-10A (DECK) / TABMOD-10A1 (SPLASH)**
- 11B. Twist handle drains with or without overflows - **TABMOD-10B1 (WITH)/TABMOD-10B2 (WITHOUT)**
- 11C. Disposer collar welded into sink bowl - **TABMOD-10C**
12. Vacuum breaker holes and S/S switch bracket - **TABMOD-11**
13. Drip trough - up to 72" long - **TABMOD-12**
14. Partial tubular base with balance undershelf - **TABMOD-13**

15. Drawer Item#	Description
<b>185SP - Standard</b>	S/S Drawer with S/S Face Plate - 20" x 15" x 5" (38.1 x 50.8 x 12.7 cm)
<b>186SP - Standard</b>	Galv. Drawer with S/S Face Plate - 20" x 15" x 5" (38.1 x 50.8 x 12.7 cm)
<b>176SP - Deluxe</b>	S/S Front Galv. Liner - 20" x 15" x 5" (38.1 x 50.8 x 12.7 cm)
<b>177SP - Deluxe</b>	S/S Front, S/S Liner - 20" x 15" x 52" (38.1 x 50.8 x 12.7 cm)
<b>LK</b>	Lock and Keys

16. Rectangular cutout in riser - **TABMOD-14A**; duplex outlet brackets below top - **TABMOD-14B**; stainless steel pedestal type box for customer supplied outlets - **TABMOD-14C**.

**LEGS & FEET MODIFICATIONS:**

- 17A. Stainless steel legs & feet with undershelf - **SSLFUSSP**
- 17B. Stainless steel legs & feet with tubular base - **SSLFTUBSP**
- 17C. Stainless steel legs & casters with undershelf - **SSLCUSSP**
- 17D. Stainless steel legs & casters with tubular base - **SSLCTUBSP**  
Tables with 4 casters will have 2 with brakes. Tables with 6 casters will have 3 with brakes
- NOTE: Tables 96" and longer require 6 legs**
- 17E. Stainless steel feet only - **SS-FEETSP**
- 17F. Special height Legs - **SP-HT-LEGSSP**
- 17G. Casters - 5" diameter, swivel type, rubber - **CAWTSP**
- 17H. Flanged feet - **FFSP**

**DUKE MANUFACTURING CO.**

2305 N. Broadway  
St. Louis, MO 63102

800.735.3853 Toll Free  
800.231.1130 In Missouri  
314.231.5074 Fax  
www.dukemfg.com

