

# "SDS" SANITIZER JUG HOLDER

## 16GA S.S. w/Adjustable Support Arm

**FEATURES:**

- 16GA Construction
- Type 300 Stainless Steel With #4 Polish Satin Finish
- Height Adjustable Support Arm Fits Up To 16" Tall Dispensers With Less Than 2" Diameter Collar
- 8"x8" Base Fits Dispenser Bases Up To 7" In Diameter
- Base Plate Is Slotted For The Height Adjustable Support Arm Stability
- 16"x16" Weighted Square Base For Added Stability
- Knockdown Design
- Leveling Feet
- Note: Dispenser Not Included



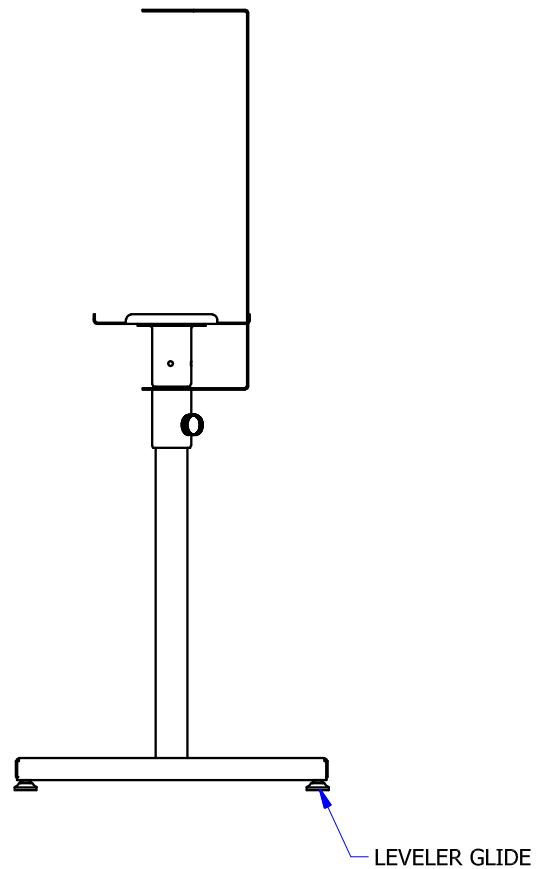
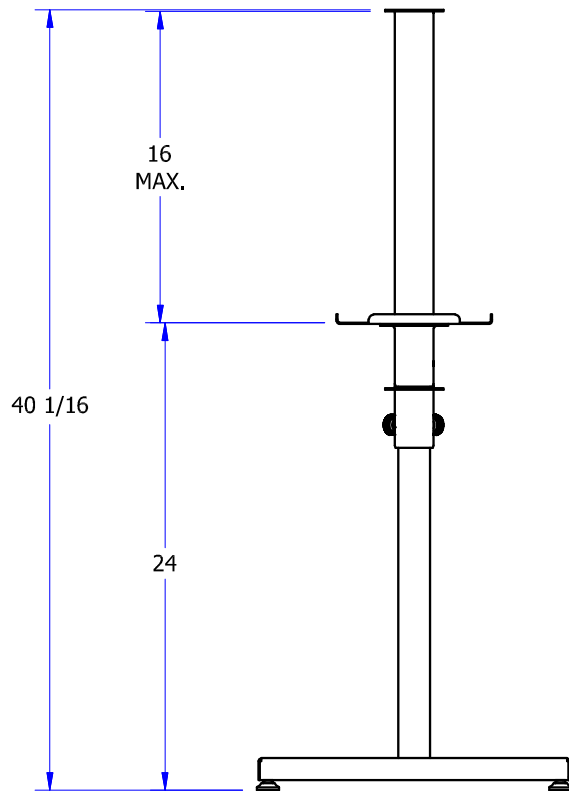
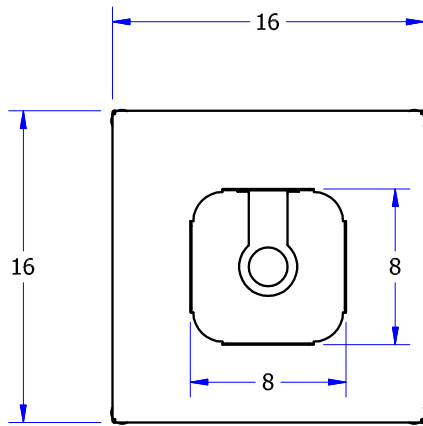
SDS-SB-2

### "SDS" STAINLESS STEEL SANITIZER JUG HOLDER

MODEL	SIZE (L X W H)	WEIGHT (LBS)
SDS-SB-2	16"x16"x24"	21
SDS-SB-3	16"x16"x36"	22

ALL DIMENSIONS ARE TYPICAL. TOLERANCE +/- .500". JOHN BOOS & CO. RESERVES THE RIGHT TO CHANGE SPECIFICATIONS WITHOUT NOTICE.

# DETAILED SPECIFICATIONS



## "SDS" STAINLESS STEEL SANITIZER JUG HOLDER

MODEL	SIZE (L X W H)	WEIGHT (LBS)
SDS-SB-2	16"x16"x24"	21
SDS-SB-3	16"x16"x36"	22

ALL DIMENSIONS ARE TYPICAL. TOLERANCE +/- .500". JOHN BOOS & CO. RESERVES THE RIGHT TO CHANGE SPECIFICATIONS WITHOUT NOTICE.