



T&S BRASS AND BRONZE WORKS, INC.
 2 Saddleback Cove / P.O. Box 1088
 Travelers Rest, SC 29690

Model No.
B-2301

Item No.

Travelers Rest, SC: 800-476-4103 • Simi Valley, CA: 800-423-0150 • Fax: 864-834-3518 • www.tsbrass.com



ADA Compliant

This Space for Architect/Engineer Approval

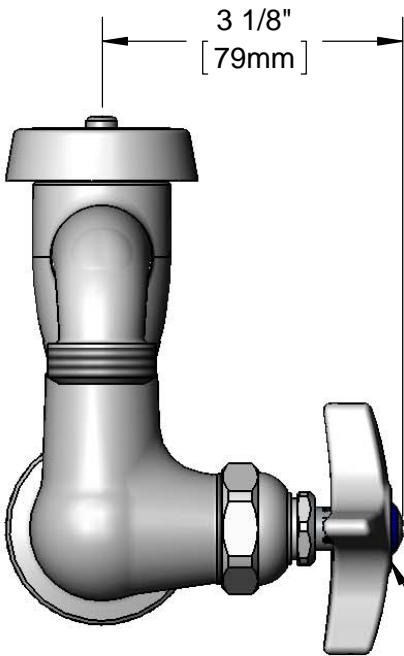
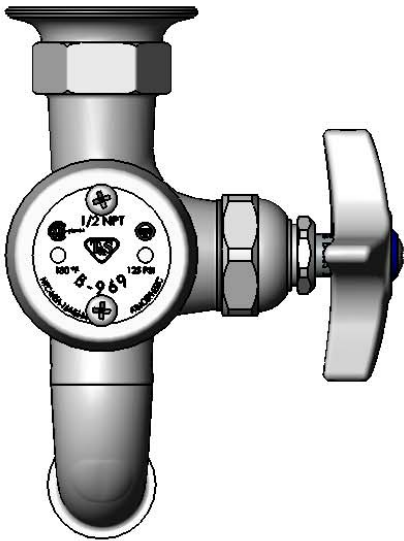
Job Name _____ Date _____

Model Specified _____ Quantity _____

Customer/Wholesaler _____

Contractor _____

Architect/Engineer _____



B-0969
 1/2" NPT
 Vacuum Breaker

3/4" Garden Hose
 Male Outlet

1 1/2"
 [38mm]

4 5/16"
 [109mm]

2 3/8"
 [61mm]

2 9/16"
 [66mm]

Mounting Surface

Ø 2" [51mm]
 Flange w/
 1/2" NPT
 Female Inlet

Eterna Cartridge &
 4-Arm Handle w/
 Blue Color Coded Index

Product Specifications:

Single Hole Single Temperature Wall Mount Sill Faucet, Eterna Cartridge, 4-Arm Handle, 1/2" NPT Vacuum Breaker, 3/4" Garden Hose Male Outlet & 1/2" NPT Female Inlet

Product Compliance:

ASME A112.18.1 / CSA B125.1
 NSF 61 Exempt (Non-Potable)
 ANSI A117.1 (ADA)
 ASSE 1001 (VB)



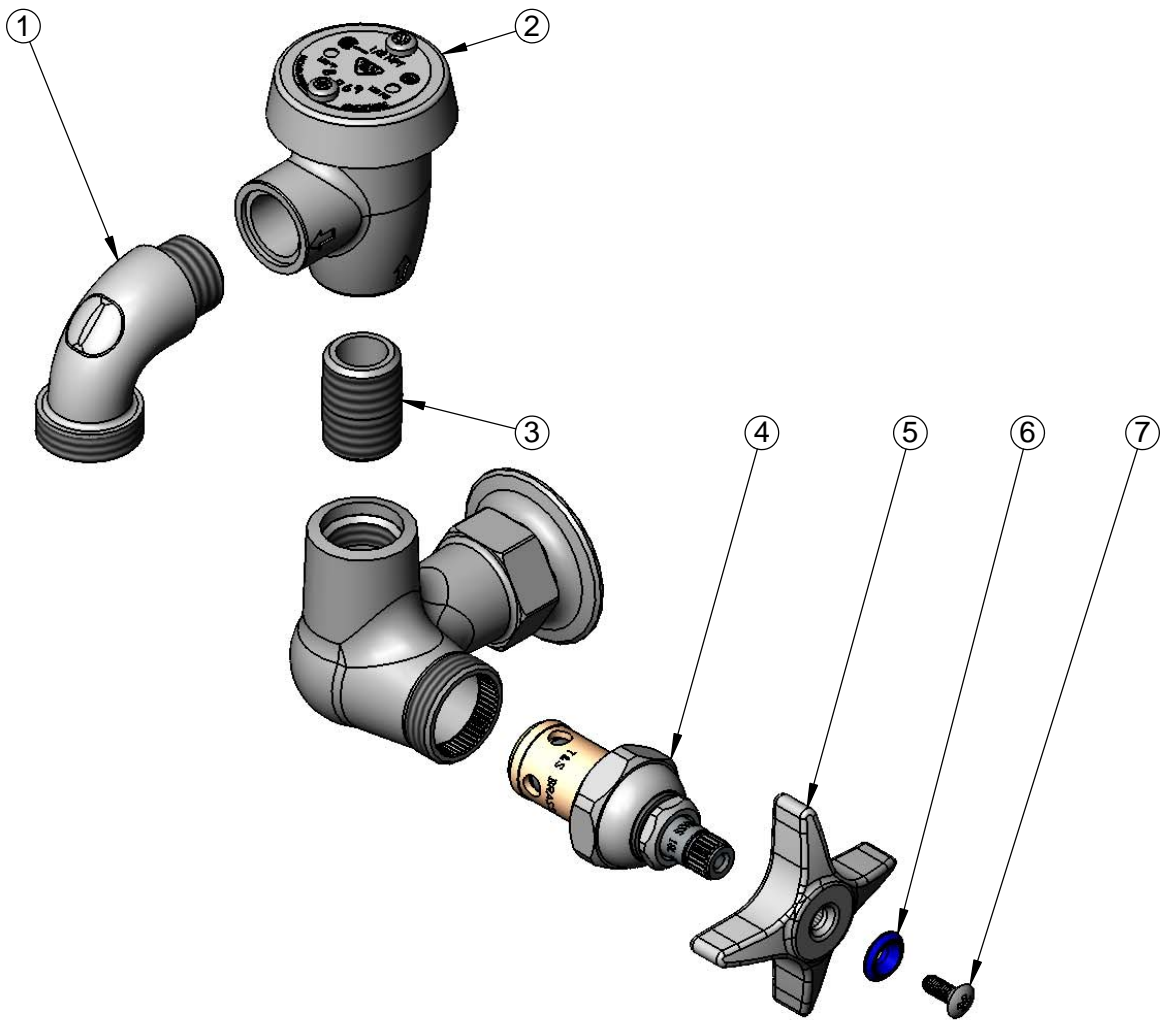
T&S BRASS AND BRONZE WORKS, INC.
 2 Saddleback Cove / P.O. Box 1088
 Travelers Rest, SC 29690

Model No.
B-2301

Item No.

Travelers Rest, SC: 800-476-4103 • Simi Valley, CA: 800-423-0150 • Fax: 864-834-3518 • www.tsbrass.com

ITEM NO.	SALES NO.	DESCRIPTION
1	001618-40	Spout, Short
2	B-0969	1/2" NPT Vacuum Breaker
3	002534-25	Close Nipple, 1/2" NPT
4	005960-40	Eterna Cartridge, RTC
5	002521-45	4-Arm Handle
6	001660-45	Blue Index-CW
7	000922-45	Lever Handle Screw



Product Specifications:
 Single Hole Single Temperature Wall Mount Sill Faucet, Eterna Cartridge, 4-Arm Handle, 1/2" NPT Vacuum Breaker, 3/4" Garden Hose Male Outlet & 1/2" NPT Female Inlet

Product Compliance:
 ASME A112.18.1 / CSA B125.1
 NSF 61 Exempt (Non-Potable)
 ANSI A117.1 (ADA)
 ASSE 1001 (VB)



Single Sill Faucets

B-2301

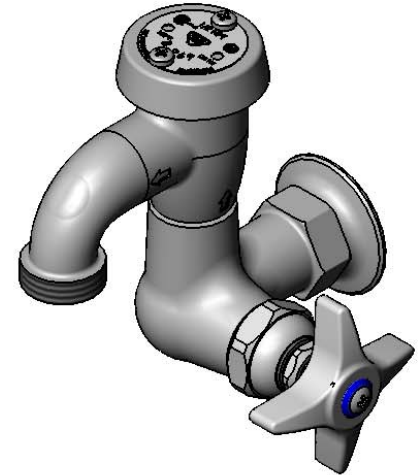
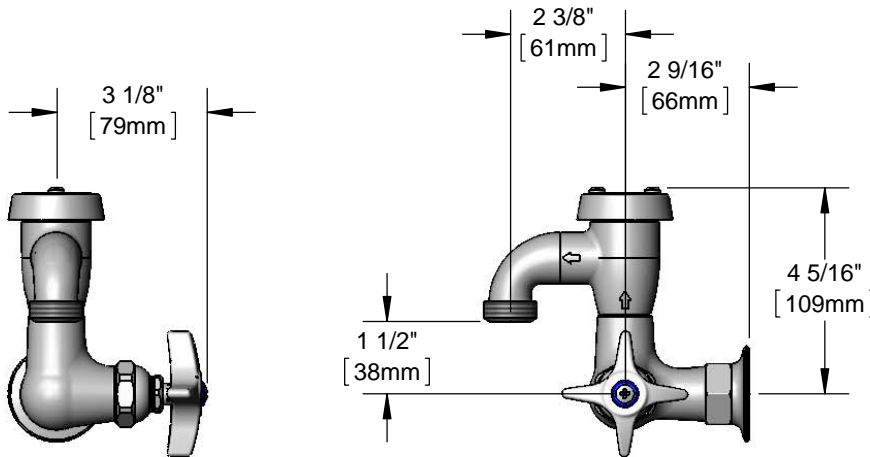
TAG:

Sill Faucet with Vacuum Breaker

Architect/Engineering Specifications:

Single hole, single temperature, wall mount faucet with polished chrome plated brass body, garden hose outlet, atmospheric vacuum breaker, compression cartridge, 4-arm handle and 1/2" NPT female inlet. Certified to ASME A112.18.1/CSA B125.1, NSF 61-Section 9, NSF 372 and ASSE 1001. Meets ADA ANSI/ICC A117.1 requirements.

Job Name _____
 Model Specified _____ Quantity _____
 Variations Specified _____
 Date _____



Features & Benefits:

- Single hole, single temperature wall mount faucet with polished chrome plated brass body
- Garden hose outlet
- Atmospheric vacuum breaker
- Eterna compression cartridge
- 4-arm handle w/ color coded index
- 1/2" NPT female inlet with $\phi 2"$ flange
- Material: Polished chrome plated brass body, chrome plated vacuum breaker and chrome plated metal handle

Product Compliance:

- ASME A112.18.1 / CSA B125.1
- NSF 61 - Section 9
- NSF 372 (Low Lead Content)
- ANSI A117.1 (ADA)
- ASSE 1001 (VB)

Warranty: One Year (Limited)

Performance Data:

- Pressure: 20 - 125 psi
- Temperature: 40 °F - 140 °F
- Flow Rate: 4.04 GPM @ 60 psi



ADA Compliant



Optional Handles

- 4" Wrist Action
- Lever
- 4-Arm (Standard)

Optional Cartridges

- Quarter Turn Cerama
- Eterna (Standard)
- Quarter Turn Eterna
- Push Button Metering
- Pivot Action Metering
- Wrist Action Metering



T&S BRASS AND BRONZE WORKS, INC.



• 2 Saddleback Cove • Travelers Rest, SC 29690
 Ph 800-476-4103 • Fax 864-834-3518
 • Simi Valley, CA • Ph 800-423-0150 • www.tsbrass.com

Date: 07/24/15