



EMPower Gas French Top - 36"

ITEM # _____

MODEL # _____

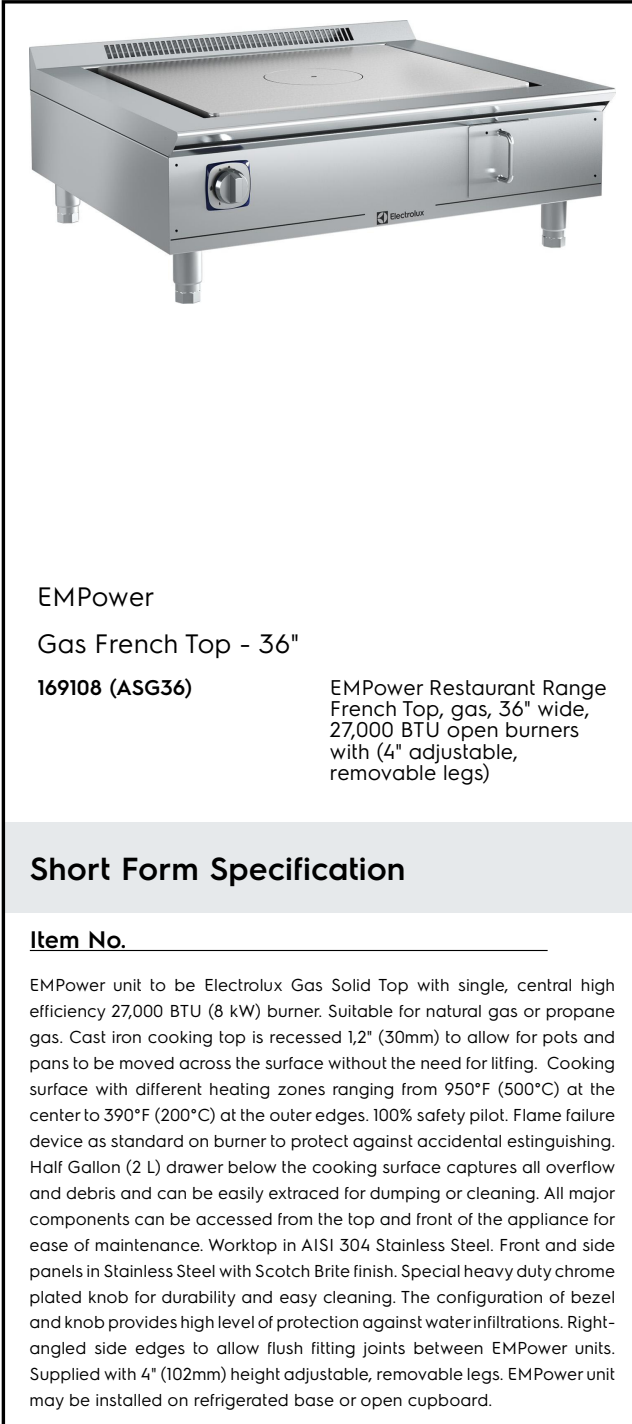
NAME # _____

SIS # _____

AIA # _____



Electrolux



EMPower
Gas French Top - 36"
169108 (ASG36)

EMPower Restaurant Range
French Top, gas, 36" wide,
27,000 BTU open burners
with (4" adjustable,
removable legs)

Short Form Specification

Item No.

EMPower unit to be Electrolux Gas Solid Top with single, central high efficiency 27,000 BTU (8 kW) burner. Suitable for natural gas or propane gas. Cast iron cooking top is recessed 1,2" (30mm) to allow for pots and pans to be moved across the surface without the need for lifting. Cooking surface with different heating zones ranging from 950°F (500°C) at the center to 390°F (200°C) at the outer edges. 100% safety pilot. Flame failure device as standard on burner to protect against accidental extinguishing. Half Gallon (2 L) drawer below the cooking surface captures all overflow and debris and can be easily extracted for dumping or cleaning. All major components can be accessed from the top and front of the appliance for ease of maintenance. Worktop in AISI 304 Stainless Steel. Front and side panels in Stainless Steel with Scotch Brite finish. Special heavy duty chrome plated knob for durability and easy cleaning. The configuration of bezel and knob provides high level of protection against water infiltrations. Right-angled side edges to allow flush fitting joints between EMPower units. Supplied with 4" (102mm) height adjustable, removable legs. EMPower unit may be installed on refrigerated base or open cupboard.



APPROVAL: _____

Main Features

- 100% safety pilot.
- All major components can be accessed from the top and front of the appliance for ease of maintenance.
- Durable cast iron cooking plate, easy to clean.
- Front and side panels in Stainless Steel with Scotch Brite finish.
- Provided with kit for side-by-side connection between units for minimizing gaps and possible dirt traps.
- Right-angled side edges to allow flush fitting joints between units, eliminating gaps and possible dirt traps.
- Special heavy duty chrome plated knob for durability and easy cleaning.
- Supplied with 4" (102mm) height adjustable, removable legs.
- The configuration of bezels and knobs provides high level of protection against water infiltrations.
- Unit may be installed on open cupboard by removing the legs and inserting the screws provided as standard with the open cupboards.
- Unit may be installed on refrigerated base by removing the legs and inserting the special pins (optional accessory).
- Single, central high efficiency 27,000 BTU (8 kW) gas burner.
- Cast iron cooking top is recessed 1,2" (30mm) to allow for pots and pans to be moved across the surface without the need for lifting. Cooking surface with different heating zones ranging from 950°F (500°C) at the center to 390°F (200°C) at the outer edges.
- Removable circular ring positioned at center of cooking surface and directly over the burner.
- Half gal. (2 l) drawer below the cooking surface captures all overflow and debris and can be easily extracted for dumping or cleaning.
- Flame failure device protects against accidental extinguishing of the flame.
- Included Accessories: propane converter kit, pressure regulator, main shut off valve and hook for removal of cooking surface central ring.
- Configured for Natural Gas, LP Conversion Kit Included.

Construction

- Worktop in 304 AISI stainless steel.
- Height adjustable feet.
- 4 screws to install on the cupboard base are supplied with the unit.
- Gas pressure regulator is supplied with the unit.

Optional Accessories

- EMPower - 4 pins to fix top to refrigerated/open base PNC 169048
- EMPower back mounted rear shelf-spacer, 36" unit PNC 169099

Electrolux Professional, Inc.

www.electroluxusa.com/professional

10200 David Taylor Drive, Charlotte, NC 28262 • Telephone Number: 866-449-4200 • Fax Number: 704-547-7401

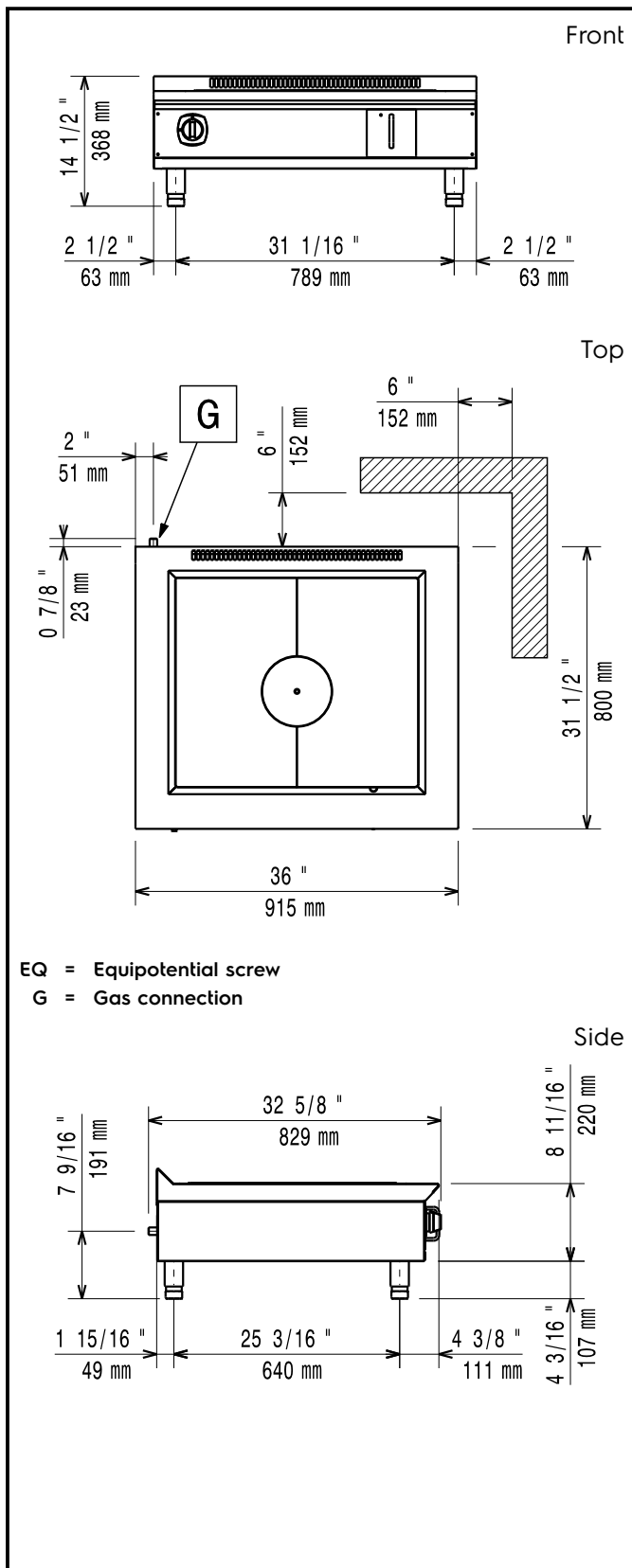
EMPower
Gas French Top - 36"



Electrolux

**EMPower
Gas French Top - 36"**

- Portioning Shelf 12" PNC 169173
- Portioning Shelf 16" PNC 169174
- Portioning Shelf 24" PNC 169175
- Portioning Shelf 36" PNC 169176


Gas
Gas Power:
169108 (ASG36)

27000 Btu/hr (8 kW)

Gas Inlet:

1/2"

Key Information:
Solid top usable surface
(width):

27 3/16" (690 mm)

Solid top usable surface
(depth):

23 1/4" (590 mm)

External dimensions, Width:

36 1/32" (915 mm)

External dimensions, Depth:

31 1/2" (800 mm)

External dimensions, Height:

14 5/8" (372 mm)

Net weight:

146 lbs (66 kg)

Shipping width:

41 5/16" (1050 mm)

Shipping depth:

38 9/16" (980 mm)

Shipping height:

29 15/16" (760 mm)

Shipping weight:

216 lbs (98 kg)

Shipping volume:

 27.61 ft³ (0.78 m³)

*The rear and side clearances shown on the diagram indicate the minimum distances recommended from the appliance to combustible surfaces.