



Special Features:

- ✓ Super Duty Work Tables
- ✓ Work Area: Stainless Flat Top 6ft² - 12ft²
- ✓ Sturdy 16-Gauge 304 Stainless Steel Work Area
- ✓ High Loading Capacity for Work Area & Undershef
- ✓ Undershef Material: 18-Gauge 430 Stainless Steel
- ✓ No Backsplash
- ✓ Stainless Steel Hat Channel
- ✓ Stainless Steel Legs With 1-5/8" Diameter
- ✓ Stainless Steel Adjustable Bullet Feet

About Empura Super Duty Work Tables:

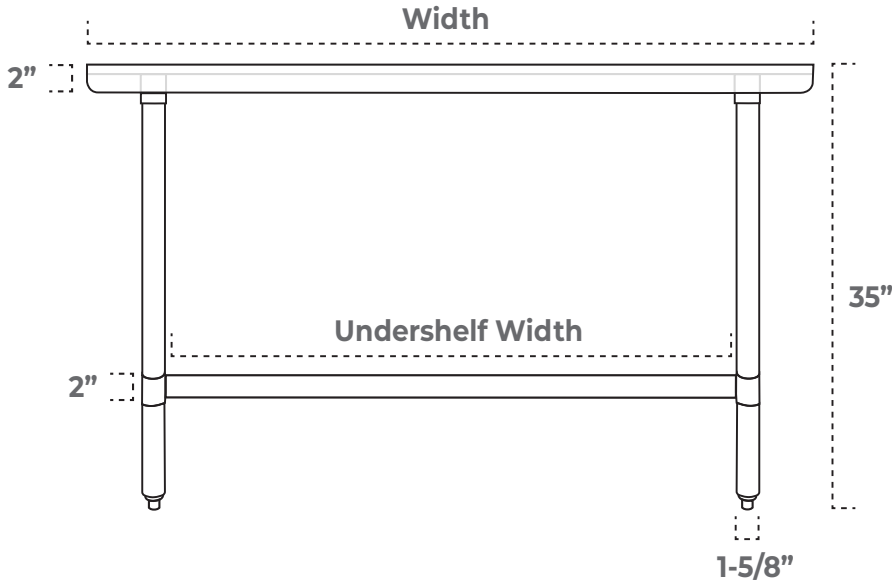
Empura work tables are an economical choice when looking to update, or expand your existing working and storage area. The heavy duty 16 gauge 304 stainless steel and 18 gauge 430 stainless steel construction, strong undershef, easily adjustable feet, and 1-5/8" diameter legs makes these work tables the sturdy and dependable workhorse models that kitchen staff can rely on to provide unwavering stability and support for whatever task they need to accomplish.

TECHNICAL SPECS

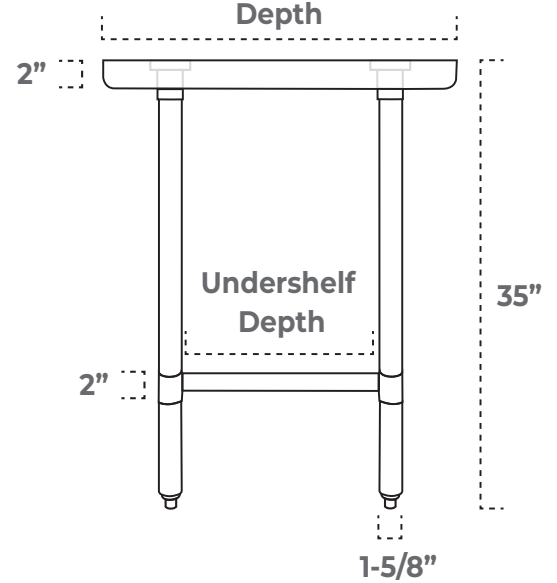
Model #	SWT2436	SWT2448	SWT2460	SWT2472
Overall Width	36"	48"	60"	72"
Overall Depth	24"	24"	24"	24"
Overall Height	35"	35"	35"	35"
Leg Diameter	1-5/8"	1-5/8"	1-5/8"	1-5/8"
Undershef Width	30"	42"	54"	66"
Undershef Depth	18"	18"	18"	18"
Undershef Thickness	2"	2"	2"	2"
Backsplash Height	N/A	N/A	N/A	N/A
Top Shelf Loading Capacity	530 Lbs	560 Lbs	580 Lbs	600 Lbs
Undershef Loading Capacity	320 Lbs	340 Lbs	360 Lbs	380 Lbs
Shipping Weight	48.4 Lbs	58.08 Lbs	69.74 Lbs	79.2 Lbs
Top Shelf Material	304 SS	304 SS	304 SS	304 SS
Top Shelf Gauge	16 G	16 G	16 G	16 G
Undershef Material	430 SS	430 SS	430 SS	430 SS
Undershef Gauge	18 G	18 G	18 G	18 G
Hat Channel Material	Stainless Steel	Stainless Steel	Stainless Steel	Stainless Steel
Leg Material	Stainless Steel	Stainless Steel	Stainless Steel	Stainless Steel
Foot Material	Stainless Steel	Stainless Steel	Stainless Steel	Stainless Steel

UNIT VIEW

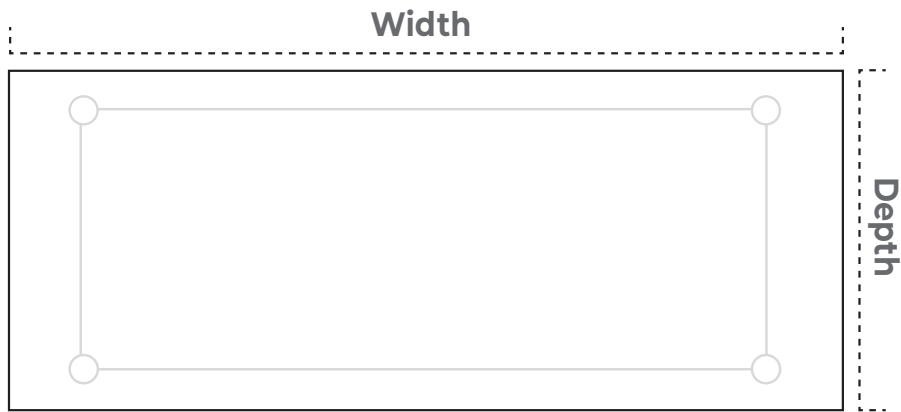
Front View



Side View



Top View



Intended For Commercial Use Only. Empura assumes no liability for component failure, factory defects or any other damages for units installed in non-commercial foodservice or residential applications.

Attention CA Residents: This product can expose you to chemicals including lead, which are known to the State of California to cause cancer, birth defects, or other reproductive harm. For more information, go to www.p65warnings.ca.gov.