

Fusion

GHSS 56"H Heated Self-Service Case

Structural Concepts®

DELIVERING FRESH. ALWAYS.™

(Lengths do not include 1-1/8" end panels)

- **GHSS456HLB** 48-3/4"L x 30-1/8"D x 55-3/8"H
- **GHSS656HLB** 73-1/8"L x 30-1/8"D x 55-3/8"H
- **GHSS856HLB** 97-1/2"L x 30-1/8"D x 55-3/8"H

Included

- Heated deck and shelving
- LED top & shelf lights
- One year parts & labor warranty
- Stainless steel rear exterior

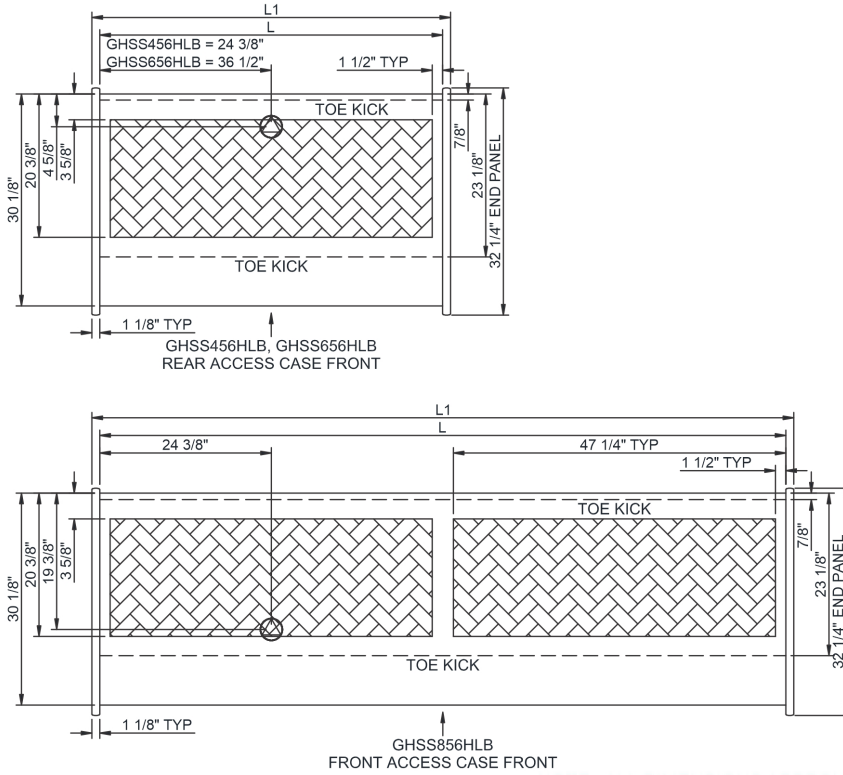


GHSS456HLB

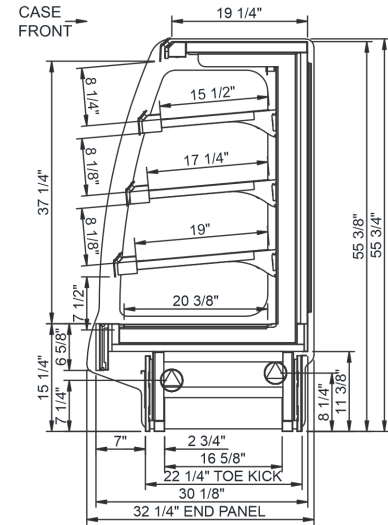
Specify	Standard Features	Additional Options
EXTERIOR COLOR	• Laminate (stock colors)	• Laminate (non-stock colors) • Powder coated (stock/non-stock colors) • Powder coated Silversan Black • Stainless steel
INTERIOR COLOR	• Stainless steel	
LOWER FRONT PANEL COLOR	• Powder coated Silversan Black	• Powder coated (stock/non-stock colors) • Stainless steel
BASE SUPPORT	• Rail system for shims	
BUMPER FRONT	• 1" Boston bumper (specify color)	• 1" Stainless steel plate rail bumper
END PANELS	• Full w/stainless steel mirror interior	• Cutaway w/glass
PRICE TAG MOLDING	• None	• Acrylic product stops w/sign channel
REAR DOORS	• None (solid back panel)	• Reflective glass rear sliding doors
SHELVING	• Solid heated shelves, 3 levels	
LIGHTS	• LED 3500K w/ frosted lens	• LED 4000K w/ frosted lens
ELECTRICAL CONNECTION	• Electrical leads	

Intended Environment: Type I - Designed to operate in ambient conditions of 75°F with 55% relative humidity unless noted otherwise in system information below.		
Zone	Intended Product To Be Displayed	Warmest Avg Prod Temp ° F
1	Packaged heated product	160

PLAN VIEW



SIDE VIEW



NOTE: ALL DIMENSIONS APPROXIMATE

- ELECTRICAL JUNCTION BOX (SUPPLIED WITH 6" LEADS OR POWER CORD).
- LOCATION OF DRAIN TUBE FOR REMOTE REF. ONLY (SUPPLIED WITH 3/4" OR 1 1/2" PVC TUBE).

- REFRIGERATION LINE CONNECTION.
- REMOTE FLOOR SINK & UTILITIES ACCESS AREA.

- SELF-CONTAINED CASE SERVICE ACCESS AREA.
- DRY CASE SERVICE ACCESS AREA.

Model Technical Specifications																
Model	L"	L1"	L2"	System Circuit Volts		Phs	Freq	Amps ***	Watts	Wires	NEMA Plug	SST	Conv. Rack RTUH	Para. Rack RTUH	Est Wt	
GHSS456HLB	48.75	51.00	.00	Heat (N/A)	Circuit #1	208	1	50-60	22.29	4,655	2+G	Leads Single	N/A	N/A	N/A	925
						240	1	50-60	25.65	6,166	2+G	Leads Single	N/A	N/A	N/A	
						208	3	50-60	17.13	4,655	3+G	Leads Single	N/A	N/A	N/A	
						240	3	50-60	19.70	6,166	3+G	Leads Single	N/A	N/A	N/A	
GHSS656HLB	73.13	75.38	.00	Heat (N/A)	Circuit #1	208	1	50-60	31.68	6,742	2+G	Leads Single	N/A	N/A	N/A	1,050
						240	1	50-60	36.40	8,874	2+G	Leads Single	N/A	N/A	N/A	
						208	3	50-60	23.94	6,742	3+G	Leads Single	N/A	N/A	N/A	
						240	3	50-60	27.48	8,874	3+G	Leads Single	N/A	N/A	N/A	
GHSS856HLB	97.50	99.75	.00	Heat (N/A)	Circuit #2	208	1	50-60	22.29	4,655	2+G	Leads Single	N/A	N/A	N/A	1,200
						240	1	50-60	25.65	6,166	2+G	Leads Single	N/A	N/A	N/A	
						208	3	50-60	17.13	4,655	3+G	Leads Single	N/A	N/A	N/A	
						240	3	50-60	19.70	6,166	3+G	Leads Single	N/A	N/A	N/A	
				Heat (N/A)	Circuit #1	208	1	50-60	22.29	4,583	2+G	Leads Single	N/A	N/A	N/A	
						240	1	50-60	25.65	6,094	2+G	Leads Single	N/A	N/A	N/A	
						208	3	50-60	17.13	4,583	3+G	Leads Single	N/A	N/A	N/A	
						240	3	50-60	19.70	6,094	3+G	Leads Single	N/A	N/A	N/A	

*** Does not include electric defrost on freezer models.

Regulatory Approvals:

All Models ETL Listed to UL 197
ETL Listed to CAN/CSA 22.2 No. 109
ETL Sanitation to NSF/ANSI 4



Important Notes:

- 1) ELECTRICAL NOTE: If GFCI is required, a GFCI breaker MUST be used in lieu of a GFCI receptacle.
- 2) 33" minimum door entry clearance required (without shipping skid).
- 3) Units must be shimmed during installation to ensure the unit is level and plumb.

⚠ WARNING: This product can expose you to chemicals, including Urethane (Ethyl Carbamate), which are known to the State of California to cause cancer and birth defects or other reproductive harm. For more information go to www.P65Warnings.ca.gov.