

# "D20" GLASS RACK DOLLY

*All Aluminum Welded Construction*

**FEATURES:**

- Welded Aluminum Construction
- 3" Plate Casters
- For 20"x20" Glass Racks (Sold Separately)
- Open Frame, Single Stack Design

**SPECIFICATIONS:**

- Fully Welded Construction
- Heavy Duty GA Aluminum Plate With Extruded Aluminum Tubing For Frame

**CERTIFICATIONS:**



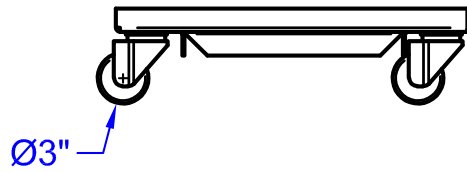
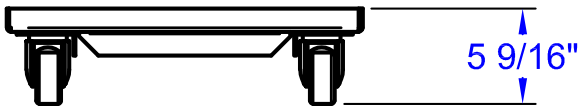
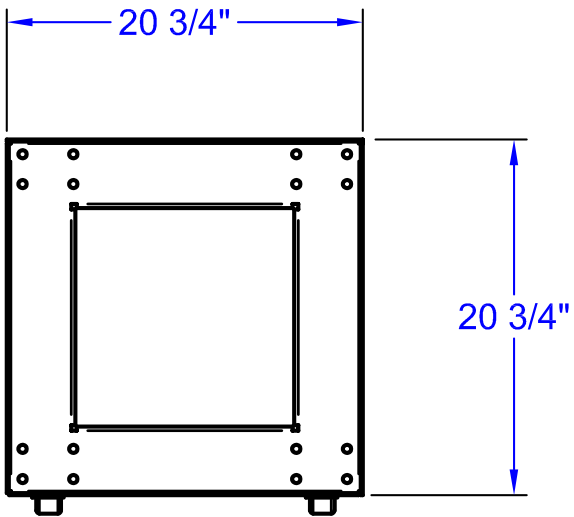
D2020-GT

## "D20" GLASS RACK DOLLY

MODEL	DESCRIPTION	WEIGHT (LBS)
D2020-GT	Fits 20"x20" Glass Racks	21

ALL DIMENSIONS ARE TYPICAL. TOLERANCE +/- .500". JOHN BOOS & CO. RESERVES THE RIGHT TO CHANGE SPECIFICATIONS WITHOUT NOTICE.

# DETAILED SPECIFICATIONS



## "D20" GLASS RACK DOLLY

MODEL	DESCRIPTION	WEIGHT (LBS)
D2020-GT	Fits 20"x20" Glass Racks	21

ALL DIMENSIONS ARE TYPICAL. TOLERANCE +/- .500". JOHN BOOS & CO. RESERVES THE RIGHT TO CHANGE SPECIFICATIONS WITHOUT NOTICE.