

ITEM #: _____	QTY: _____
MODEL #: _____	
PROJECT NAME: _____	

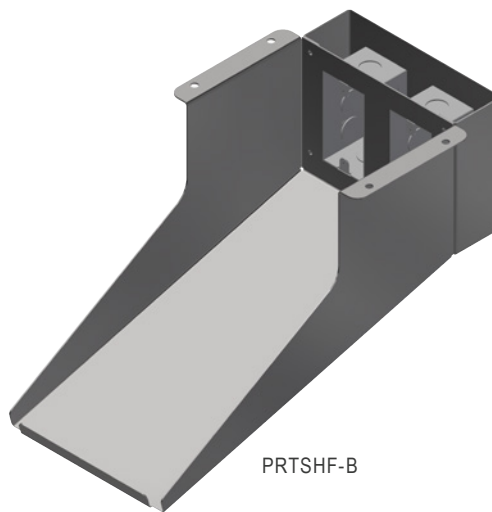
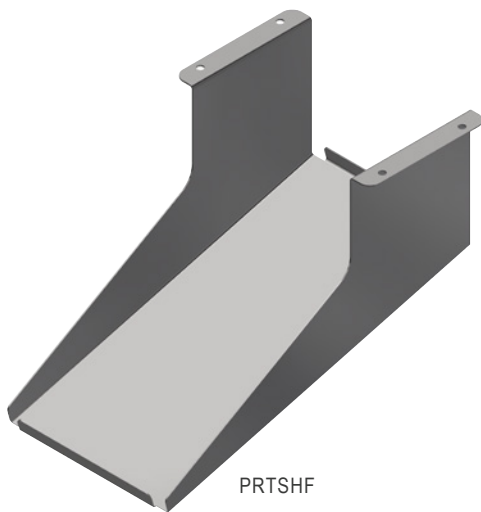
022019

3601 S. Banker St. Effingham, IL 62401 • P.O. BOX 609 • Ph: (888) 431-2667 • Fax: (800) 433-2667

"PRTSHF" PRINTER SHELVES - STAINLESS STEEL

FEATURES:

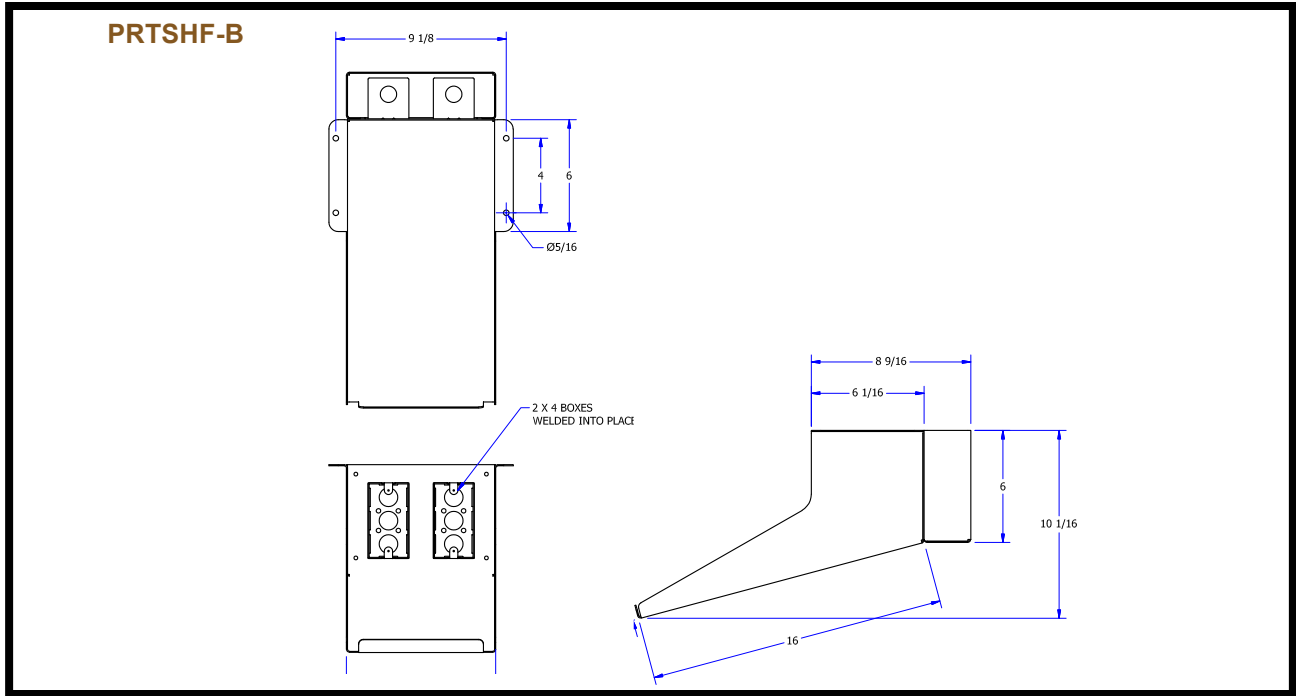
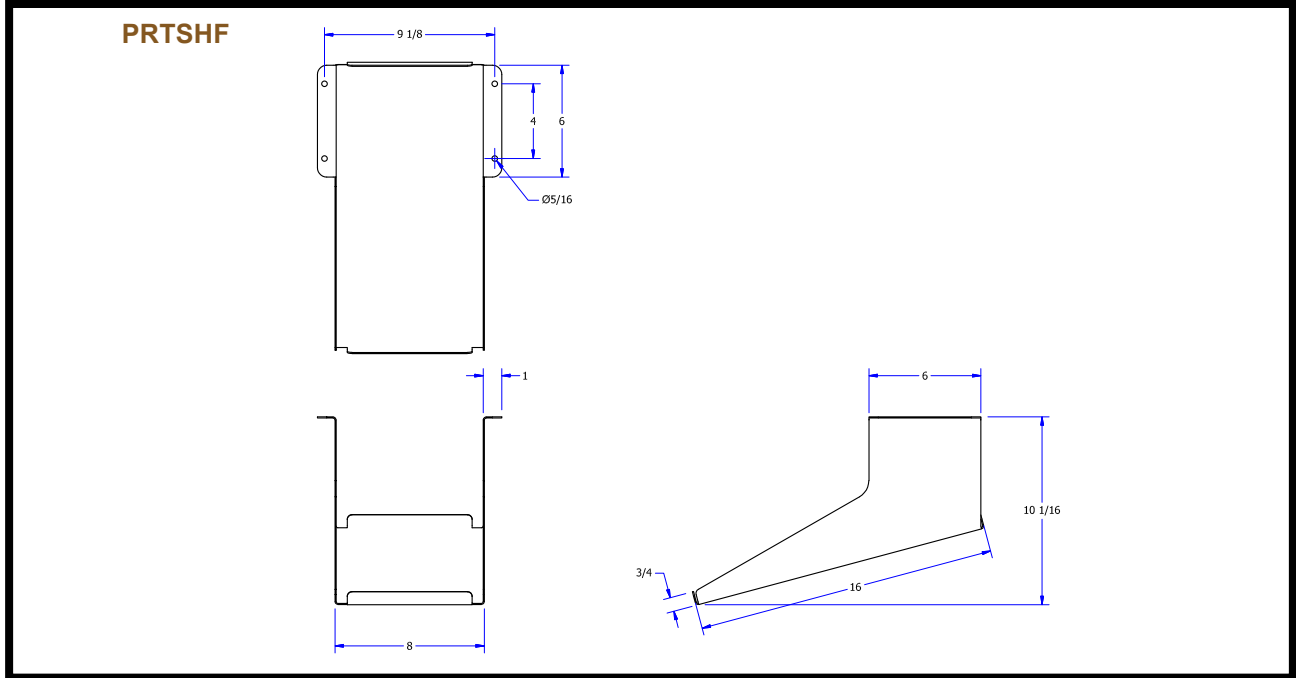
- 18 GAUGE STAINLESS STEEL
- TYPE 300 STAINLESS STEEL W/ #4 POLISH, SATIN FINISH



TYPE 300 STAINLESS STEEL PRINTER SHELF

SIZES	MODEL	QTY
8"X16"	PRTSHF	
8"X16"	PRTSHF-B	

DETAILED SPECIFICATIONS



TYPE 300 STAINLESS STEEL PRINTER SHELF

MODEL	SIZE	WT. (LBS)
PRTSHF	8"X16"	9
PRTSHF-B	8"X16"	15

SOME UNITS SHIP UNASSEMBLED FOR REDUCED SHIPPING COST. ALL DIMENSIONS ARE TYPICAL. TOLERANCE +/- .500"
 John Boos & Co. is constantly engaged in a program of improving products and therefore reserves the right to change specifications without prior notice.



3601 S. Banker St. • Effingham, IL 62401 • PO BOX 609 • quotes@johnboos.com

www.johnboos.com

010919

495