



Project _____
 AIA # _____ SIS # _____
 Item # _____ Quantity _____ C.S.I. Section 114000

R/A Series

Reach-In Heated Cabinet Model
 32" Deep, W-Width



STANDARD PRODUCT FEATURES

- R Series = Stainless Steel Exterior & Interior
- A Series = Stainless Steel Exterior/Anodized Aluminum Interior
- Traulsen's Smart Control with LED Display
- Ducted Fan Air Distribution System
- Standard Operating Temperature Range 140-180°F
- ON/OFF Switch Located on Control Face
- Full or Half-Height Stainless Steel Door(s) with Lock(s)
- Self-Closing Door(s) with Stay Open Feature at 120 Degrees
- Standard Door Hinging: 132W = Right (other hings available)
- Automatically Activated LED Lights
- Stainless Steel Breaker Caps
- Three Adjustable, Coated Wire Shelves Per Section, Supported on Pilasters
- Magnetic Snap-In EZ-Clean Door Gasket(s)
- Gasket-Protecting Door Liner
- Stainless Steel One-Piece Louver Assembly
- 9' Cord & Plug Attached
- Set of (4) 6" High Adjustable Stainless Steel Legs

ACCESSORIES & OPTIONS

- SmartConnect™ Monitoring App with Wi-Fi Connectivity
- Stainless Steel Finished Back with Rear Louvers
- Accommodates EZ-Clean™ Tray Racks
- #1 Type Trayslides Accommodate (1) 18" x 26" or (2) 14" x 18" Sheet Pans
- #4 Type Trayslides Accommodate 18 to 19 Levels for 18" x 26" Pans
- Universal Type Trayslides Accommodate (1) 18"x26", (2) 14"x18", or (2) 12"x20" Pans
- Additional Coated Wire or Optional Stainless Steel Shelves
- Stainless Steel Banking Strip
- EZ-Open Foot Pedal (full-height doors only)
- Locking Hasps (padlock supplied by others)
- Rehinging Feature for doors
- 208-230/115/60/1 or Optional 208-230/60/1 Voltage
- Export 220-240/50/1
- Kool Klad Exterior Laminate Decor (consult factory)
- Set of (4) 4 1/8" or 6" High Casters in Lieu of Legs
- 6" Stainless Steel Flanbged Legs
- Supports: 4 1/2" High Base in Lieu of Legs or 6" High Kickplate (with standard legs)
- Clear Glass Door(s) in Place of One or More Solid Door(s)
- Heat Shield
- Fluorescent Lights, (2) for Use with Glass Door Models
- Optional Door Hinging
- Consult Factory for Prison/Correctional Facility Options



Models listed to the applicable UL, CSA and NSF standards by an approved NRTL. Consult the factory or unit data plate for additional information.

AVAILABLE CONFIGURATIONS

R Series Models

RHF132W-FHS
 RHF132W-HHS

Door(s)

Full Height Solid
 Half Height Solid

A Series Models

AHF132W-FHS
 AHF132W-HHS

Door(s)

Full Height Solid
 Half Height Solid

- GUARANTEED FOR LIFE CAM-LIFT HINGES
- GUARANTEED FOR LIFE HORIZONTAL WORK FLOW DOOR HANDLES (SOLID DOORS ONLY)

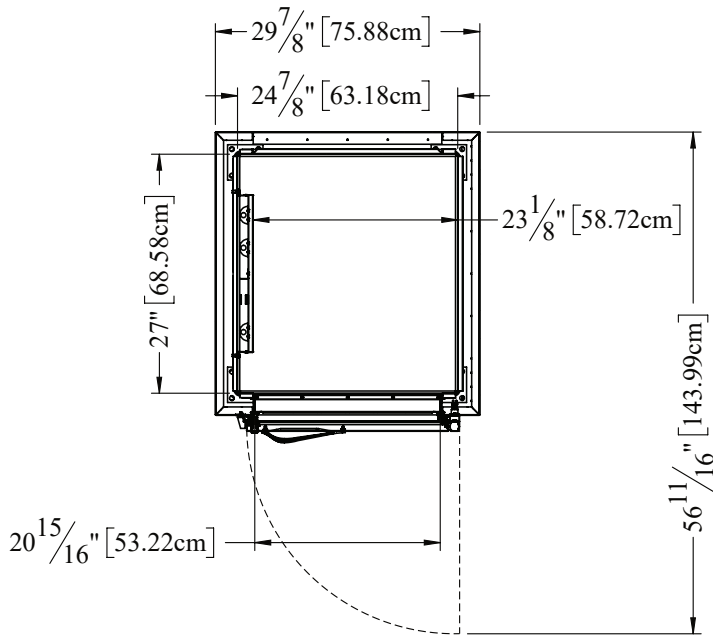
ENERGY STAR® Listed Commercial Hot Food Holding Cabinet
 For full listing visit energystar.gov



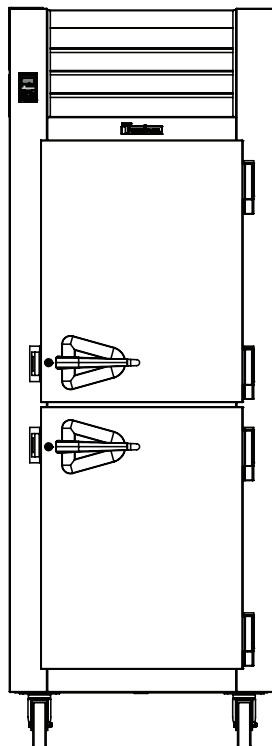
Approved by _____ Date _____ Approved by _____ Date _____

MODELS:

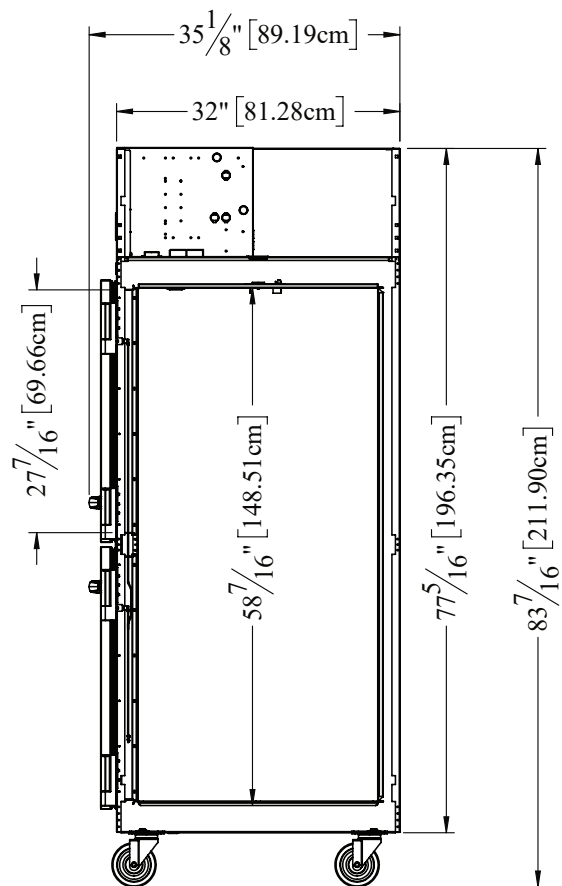
RHF132W-HHS, AHF132W-HHS



TOP VIEW



ELEVATION



SIDE VIEW

> CAD and/or Revit Files Available

<https://traulsen.klccad.com/>

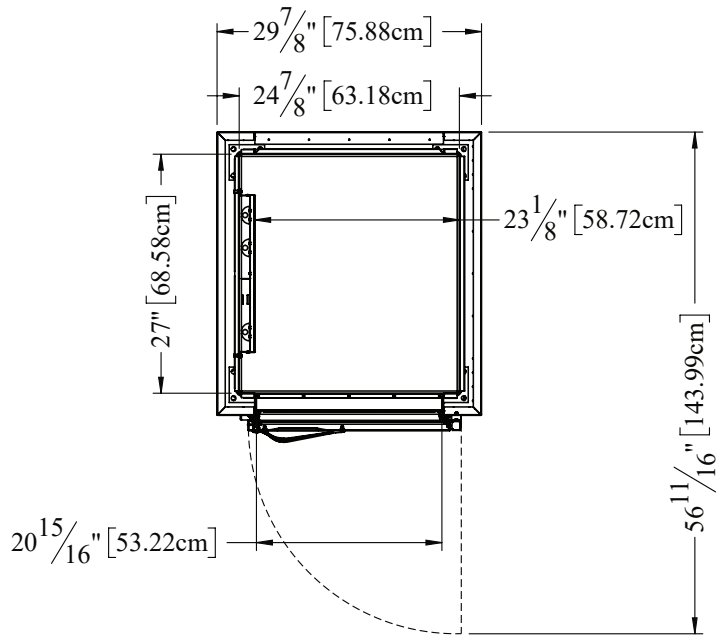


R/A Series

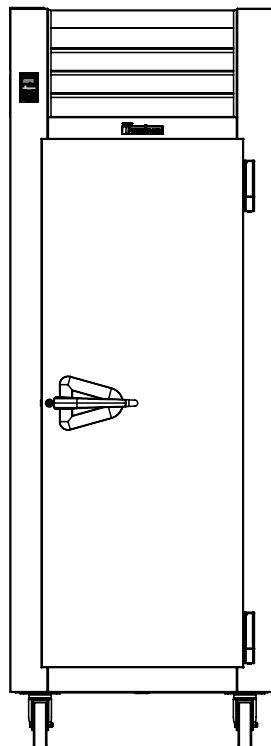
Reach-In Heated Cabinet Model
32" Deep, W-Width

MODELS:

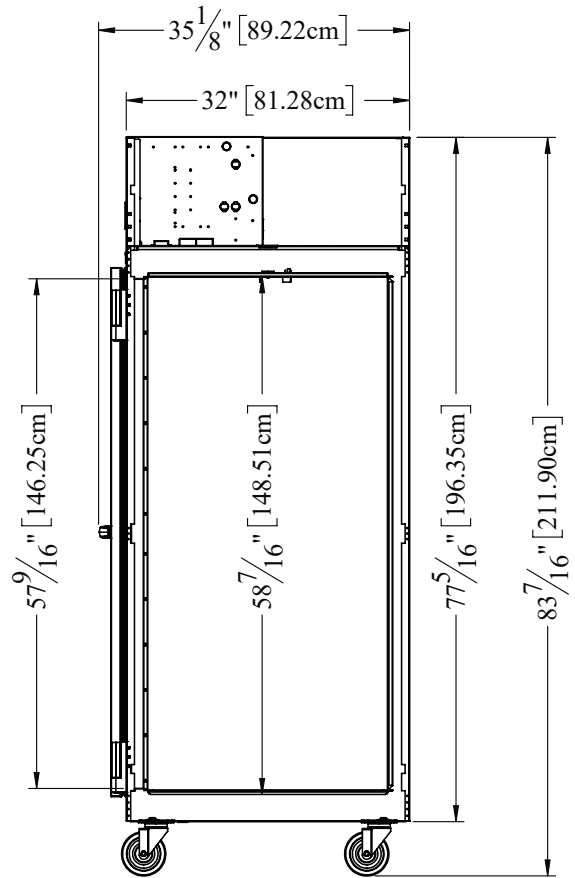
RHF132W-FHS, AHF132W-FHS



TOP VIEW



ELEVATION



SIDE VIEW

> CAD and/or Revit Files Available

<https://traulsen.kclcad.com/>

MODELS:

RHF132W-HHS, RHF132W-FHS
 AHF132W-HHS, AHF132W-FHS

EQUIPMENT SPECIFICATIONS

MODELS	R/AHF132W
DIMENSIONAL DATA	
Net capacity cu. ft.	23.43 (663.5 cu l)
Length - overall in.	29 7/8" (75.9 cm)
Depth - overall in.	35 1/8" (89.2 cm)
Depth - over body in.	32" (81.3 cm)
Depth - door open 90° in.	56 11/16" (144 cm)
Clear door width in. ¹	20 15/16" (53.2 cm)
Clear half-door height in.	27 7/16" (69.7 cm)
Clear full-door height in.	57 7/16" (146.3 cm)
Height - overall on 6" legs	83 7/16" (211.9 cm)
No. Standard Shelves	3
Shelf area sq. ft. ²	13.46 (1.25 sq. m)
ELECTRICAL DATA	
Voltage Plug	208-230/115/60/1 NEMA L14-20P or NEMA 5-20P
Heater Wattage Full Load Amperes	@208V = 1500 7.7 @230V = 1836 8.5 @240V = 2000 8.8 @115V = 1500 14.2
SHIPPING DATA	
Length - Crated in.	48" (121.9 cm)
Depth - Crated in.	42" (106.7 cm)
Height - Crated in.	85" (215.9 cm)
Volume - Crated cu. ft.	99.17 (2808.2 cu l)
Weight - Crated lbs.	402 (182.3 kg)

NOTES: Figures in parentheses reflect metric equivalents.

1. Please note that the available cabinet width narrows for 5 3/8" from the top of the door frame to 20 1/8" in order to allow for the heater fans.
2. Area of standard shelf compliment only, does not include storage area of additional shelves or available on cabinet bottom.
3. Heater is capable of operation from 208V to 230V as supplied standard. Actual amp figure will change at any voltage other than 208.

When ordering please specify: Voltage, Hinging, and Options.

Equipped with one NEMA L14-20P Plug
 (@ 208V)



Equipped with one NEMA 5-20P
 (@ 115V)



CONSTRUCTION, HARDWARE, INSULATION

The R-Series interior is made from stainless steel while the A-Series interior is made from corrosion resistant anodized aluminum. For both series, the cabinet exterior front, one piece sides, louver assembly, doors and door liners are constructed of heavy gauge stainless steel. A set of four (4) adjustable 6" high stainless steel legs are included.

Door(s) are equipped with a gasket-protecting metal door pan, removable plug cylinder locks & guaranteed for life cam-lift, gravity action, self-closing metal, glide hinges with stay open feature at 120 degrees. Hinges include a concealed switch to automatically activate the interior LED lighting. Guaranteed for life, work flow door handle(s) are mounted horizontally over recess in door which limits protrusion from door face into aiseways. Door(s) have seamless, polished metal corners.

Gasket profile & EZ-Clean™ material simplify cleaning & increase overall gasket life. Both the cabinet & door(s) are insulated with an average of 2" thick high density, non-CFC, foamed in place polyurethane.

HEATING SYSTEM

A low watt density, serpentine style, heater is employed for the generation of electric heat. Low velocity air is forced across its large surface area to efficiently move heat radiating away from these through a down-air distribution duct, where it is then evenly distributed throughout the cabinet, assuring the proper holding environment for hot food product, without drying. A vent, located at the top of the cabinet, is included for positive humidity control.

CONTROL

Traulsen's Smart Control™ features advanced control algorithms & sophisticated diagnostic capabilities to optimize performance. Utilizing smart sensors, it adapts the operation of the heating system to a variety of environments & usage patterns. The Smart Control™ also offers a complete set of visual alarms designed to alert the user to critical events such as power outages or a prolonged door opening. In the event of an alarm, a dedicated Alarm LED will illuminate, informing the user of the critical event and duration.

INTERIOR

Standard interior arrangements include three (3) coated wire shelves per section, mounted on pilasters. Shelves are full-width & do not have any large gaps between them requiring the use of "bridge" or "junior" shelves. Recommended load limit per shelf should not exceed 225 lbs. Optional tray slides may be purchased in combination with, or in lieu of these. Interior arrangements are factory installed.

WARRANTY

A six year parts and labor warranty is provided standard.

CONTINUED PRODUCT DEVELOPMENT MAY NECESSITATE SPECIFICATION CHANGES WITHOUT NOTICE.