



PROJECT: \_\_\_\_\_  
 ITEM # \_\_\_\_\_ QTY: \_\_\_\_\_  
 MODEL # \_\_\_\_\_  
 AIA # \_\_\_\_\_ SIS # \_\_\_\_\_

SANDWICH PREP MEGA TOP REFRIGERATOR

# SANDWICH PREP MEGA TOP REFRIGERATOR

## VSP60HC-24B



### EXCLUSIVE WARRANTY

- ▶ 7 Year Parts, Labor and Compressor
- ▶ Exclusive 2 Year Warranty On Magnetic Door Gaskets
- ▶ Lifetime Warranty On Handles & Hinges (parts only)



### CABINET CONSTRUCTION

- Stainless Steel Exterior (galvanized back and bottom)
- Aluminum Interior
- Hinged, Insulated Flat Lift Up Lid
- One-Piece, Snap-In Magnetic Door Gaskets
- Heavy-Duty Pan Liner
- 8' Cord And Plug (see electrical data for details)

### FEATURES

- Full Electronic Control
- Cartridge Style Hinges
- Low Profile Horizontal Door Handles
- Epoxy Coated Shelves (2 per section)
- Stay-Open Door Feature For Easy Product Loading
- Top Accommodates Up To 6" Deep Food Service Pans With Locking Divider Bars
- 10" Cutting Board Constructed Of White Polyethylene Plastic
- 6" Casters Two With Brakes

### REFRIGERATION

- Refrigeration System Uses R-290 Refrigerant To Comply With All Environmental Concerns
- Rear Mounted Refrigeration System
- Adaptive Defrost For Reduced Energy Consumption And More Consistent Product Temperatures
- Epoxy Coated Evaporator Coil
- Refrigerator Capable Of Maintaining Product Temperature 36°F To 38°F



Please Verify Qualifying Units By Visiting:  
[www.energystar.gov/cfs](http://www.energystar.gov/cfs)

### OPTIONS & ACCESSORIES

- |   |   |   |
|---|---|---|
| • Stainless Steel Interior                  | • Silver Freeze Shelves (chrome style)    | • Casters: 3", Roller Kit, Low Profile  |
| • Stainless Steel Back                      | • 12" Cross Bar (excludes big top models) | • Correctional Package  |
| • Door Locks                                | • Front Or Side Crumb Catcher             | • Remote Models* (6" legs only)<br>(refrigerant must be specified at time of order, see note on back on page) |
| • Door Swing Orientation (at time of order) | • Roll Top Cover                          |   |
| • 8 Pan Cover                               | • Shelf Divider                           |   |
| • Garnish Rack (full & half pan)            | • 6" Legs Or 6" Seismic Legs              |   |

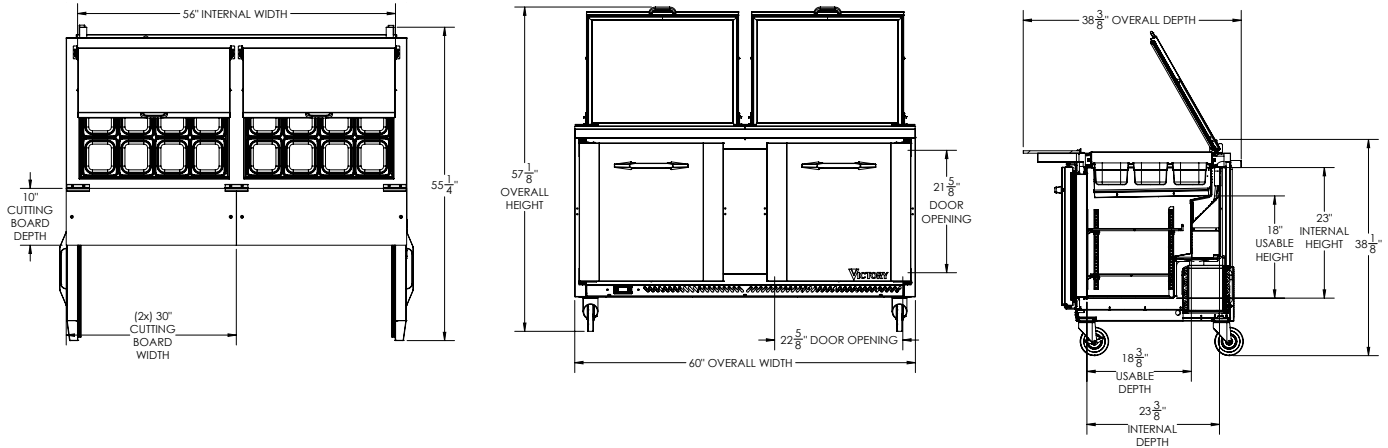
3779 Champion Blvd, Winston-Salem, NC 27105

ph: (888) 845-9800 | fax: (800) 253-5168

Sales@VictoryRefrigeration.com | VictoryRefrigeration.com

Rev. 7/1/24 Printed in U.S.A.

APPROVAL: \_\_\_\_\_ DATE: \_\_\_\_\_



We reserve the right to change specifications and product design without notice. Such revisions do not entitle the buyer to corresponding changes, improvements, additions or replacements for previously purchased equipment. Dimensional tolerances +/- 1/4". Metric dimensions (MM)

2" Bottom & 2" Rear clearance is required

| CHARACTERISTICS              |                   | ELECTRICAL DATA                |                    | SHIPPING DETAILS   |         |
|------------------------------|-------------------|--------------------------------|--------------------|--|---------|
| Net Capacity (cubic ft.)     | 16.0              | Cabinet Voltage                | 115/60/1           | Height   | 49"     |
| Width, Overall (in.)         | 60"               | Total Amperes                  | 5.4                | Width  | 63"     |
| Depth, Overall (with handle) | 38 3/8"           | NEMA Plug (8' cord)            | 5-15P              | Depth  | 38"     |
| Height Overall (6" casters)  | 57 1/8"           | <b>REFRIGERATION DATA</b>      |                    | Crated Weight  | 388 lbs |
| Depth, Door Open 90°         | 55 1/4"           | Condensing Unit Size, HP       | 1/3                | *NOTE: Remote units are field wired and come with 6" legs. Refrigerant must be specified at time of order. |         |
| Door Openings (in.)          | 22 5/8" x 21 5/8" | Refrigerant*                   | R-290              |  |         |
| No. Of Doors/Shelves         | 2/4               | Capacity (BTU/HR) (100°F/20°F) | 2291               |  |         |
| No. Of Pans                  | 24                | Heat Rejection (BTU/HR)        | 3436.5             |  |         |
|                              |                   | Charge (lbs/grams/ounces)      | 0.2095 / 95 / 3.35 |  |         |

3779 Champion Blvd, Winston-Salem, NC 27105 | ph: (888) 845-9800 | fax: (800) 253-5168

Sales@VictoryRefrigeration.com | VictoryRefrigeration.com

Rev. 7/1/24 Printed in U.S.A.