



SINK MOUNT RINSE-O-MATIC®

Powerfully Rinses Blender Containers

No more rinsing containers by hand or letting the water run; the Sink Mount Rinse-o-matic is the more efficient way to rinse any blender container* in seconds! Just place the container upside down and the high water pressure rinses residue away, saving you time and money.

Smart Product Design

- Powerful spray forcefully removes stubborn residue
- Angled spray nozzles are designed to reach all the corners of the container and the top of the blade
- Only sprays when pressure is applied for ease-of-use
- Easy to operate plunger requires minimum force to activate
- Durable plastic construction is virtually unbreakable and verified to perform more than 1,000,000 cycles

** 48 oz. containers or smaller from most manufacturers.*



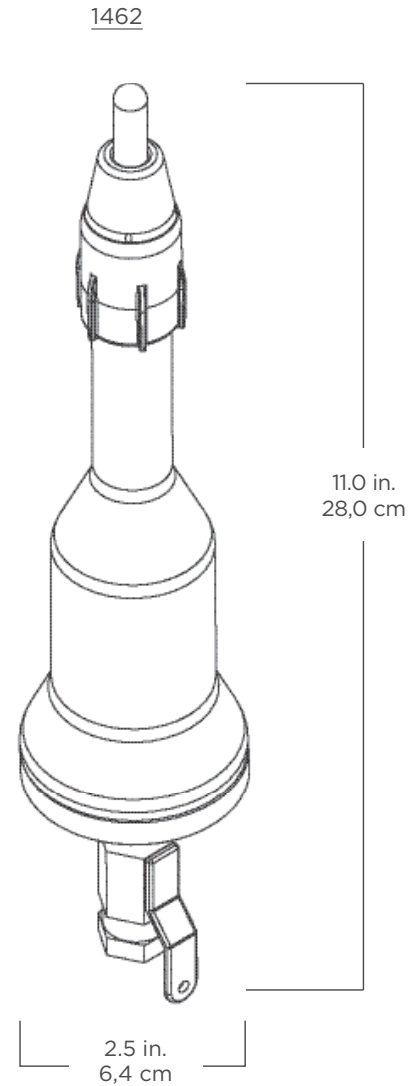
Product Specifications

Sink Mount Rinse-o-matic®

Item Number: 1462
Pack: Includes Rinse-o-matic blender container rinser base, valve and instructions.
Connection Requirements: Universal ¼ in. NPT pipe fitting using standard water pressure and no electricity.
Net Weight: 0.91 lbs. (14.5 oz)
Dimensions: 11.0 x 2.5 x 2.5 in. (H x W x D)

Made in the U.S.A. with a minimum of 70% U.S.A. content.
FOR COMMERCIAL USE ONLY.

Warranty: The Sink Mount Rinse-o-matic is backed by a one-year warranty on parts. For more complete warranty terms and conditions, please call 1.800.437.4654 or visit vitamix.com.



Contact Information

U.S.A., Canada & Latin America:
Phone: 800.4DRINK4 or
800.437.4654
Email: foodservice@vitamix.com

vitamix.com

Vita-Mix Corporation
8615 Usher Road
Cleveland, OH 44138-2103 U.S.A.

Outside of U.S.A., Canada &
Latin America:
Phone: +1.440.782.2450
Email: international@vitamix.com

For more information, contact your
local foodservice distributor.