



Your Solutions Partner

# Specifications

F.O.B. Sedalia, Missouri 65301



560-xx

### OPTIONS:

- Fluorescent light
- Radiant heat rod w/incandescent light - 120V
- Radiant heat rod w/switch
- Special lengths or heights
- Special finish colors

### Agency Listings:



DUKE MANUFACTURING CO.  
 2305 N. Broadway  
 St. Louis, MO 63102  
 800.735.3853 Toll Free  
 314.231.5074 Fax  
 www.dukemfg.com

Specification subject to change



**Approval Stamp(s):**

### PRODUCT INFORMATION:

PROJECT: \_\_\_\_\_

ITEM: \_\_\_\_\_

QUANTITY: \_\_\_\_\_

### MODEL: Foodshield - Designer Series - Full Service

Fits: Thurmaduke Steamtable, Aeroserv, Thurmad-uke Serving Systems

- TS560-32
  - TS560-46
  - TS560-60
  - TS560-74
  - TS560-88
- Full Service Style - Stainless Steel Top

### TOP SHELF:

- All edges flanged down
- Clear acrylic extension on length of back of shelf top
- 18 gauge stainless steel or paint grip steel
- Choice of (12) powder coat paint colors (must choose one):

### ENDS:

- 18 gauge stainless steel or choice of 12 powder coat colors

### GUARDS:

- Adjustable 1/4" tempered glass food shield
- Stainless steel edge trim
- Clear acrylic enclosure both ends

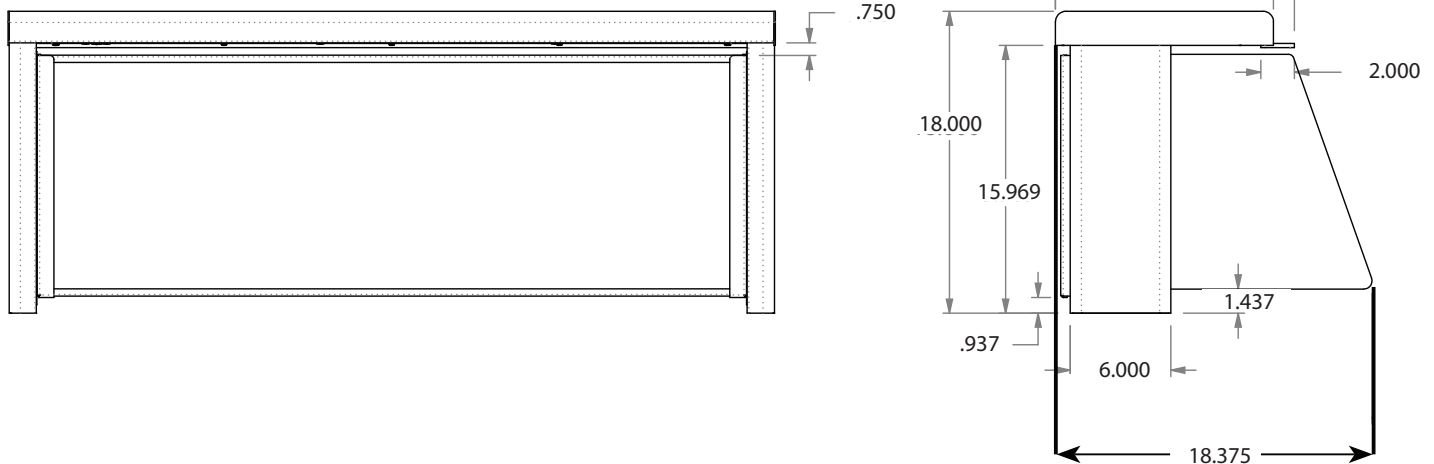
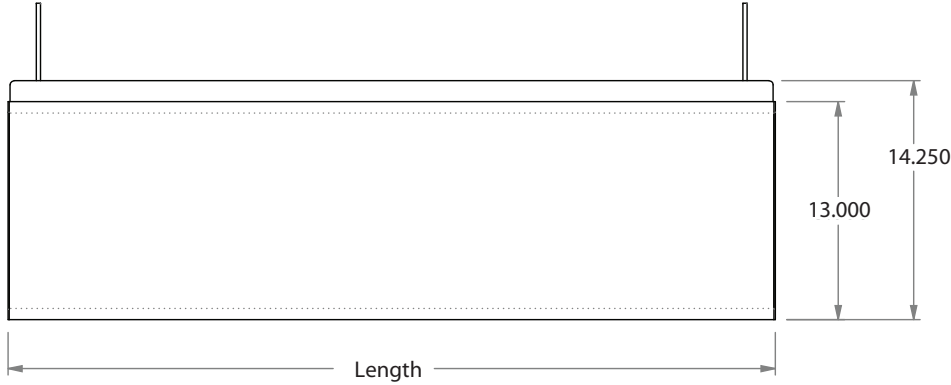
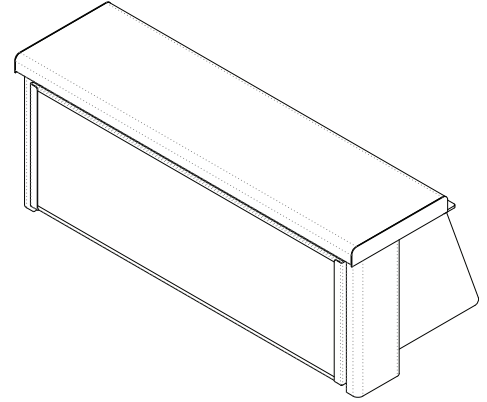
### SIZES:

- All units available in following lengths  
 31-3/4", 45-3/4", 59-3/4", 73-3/4", 87-3/4"

# FOODSHIELD - DESIGNER SERIES FULL SERVICE

A.I.A. File No. 35-C-13

Catalog No. FS-DESIGNER



**DIMENSIONS:**

Freight Class: 125

Model	Length		Height		Width		Weight		Cube ft. Crated
	in	cm	in	cm	in	cm	lbs	kg	
<b>TS560-32</b>	32	81.3	18	45.7	18.375	46.7	54	24.6	8.3
<b>TS560-46</b>	46	116.8	18	45.7	18.375	46.7	62	28.2	11.4
<b>TS560-60</b>	60	152.4	18	45.7	18.375	46.7	82	37.3	14.5
<b>TS560-74</b>	74	188.0	18	45.7	18.375	46.7	112	50.9	17.5
<b>TS560-88</b>	88	223.5	18	45.7	18.375	46.7	137	62.3	20.6

Full Service - w/adjustable front glass, stainless steel top or painted, painted or stainless end panels

FOODSHIELD - DESIGNER SERIES



Your Solutions Partner

**Duke Manufacturing Co.**

2305 N. Broadway  
St. Louis, MO 63102

Phone: 314-231-1130  
Toll Free: 1-800-735-3853  
Fax: 314-231-5074

[www.dukemfg.com](http://www.dukemfg.com)

Printed in U.S.A  
© 2020, Duke Manufacturing Co.