



Your Solutions Partner

Specifications

F.O.B. Sedalia, Missouri 65301



OPTIONS:

- Condensate Evaporator
- Remote installation of compressor
- False Bottom
- Stainless steel louvered grille
- Designer Foodshields
- Stainless steel adapter panels
- Adapter bars

AGENCY LISTING:



DUKE MANUFACTURING CO.

2305 N. Broadway
 St. Louis, MO 63102
 800.735.3853 Toll Free
 314.231.5074 Fax
 www.dukemfg.com

Approval Stamp(s):

PRODUCT INFORMATION:

PROJECT: _____
 ITEM: _____
 QUANTITY: _____

MODEL:

**Drop-Ins - Cold Pan
 Mechanically Cooled - 10" Deep Liner
 Meets NSF Standard 7**

- ADI-1MD-N7** (1) 6" Deep 12" x 20" pan
- ADI-2MD-N7** (2) 6" Deep 12" x 20" pan
- ADI-3MD-N7** (3) 6" Deep 12" x 20" pan
- ADI-4MD-N7** (4) 6" Deep 12" x 20" pan
- ADI-5MD-N7** (5) 6" Deep 12" x 20" pan
- ADI-6MD-N7** (6) 6" Deep 12" x 20" pan

TOP RIM:

- Heavy gauge, 300 Series stainless steel
- Overhang on front, back and ends w/locking tabs
- Vinyl foam gasket as sealant
- 300 Series stainless steel cold pan liner
- Product recessed 3" below top
- Insulated all four sides and bottom
- 1" cast brass drain and plug
- Adapter bars furnished for full size pans
- Removable stainless brackets 3" below top

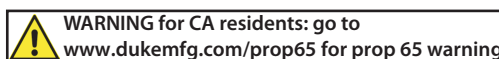
REFRIGERATION:

- Copper coils attached to all sides of liner
- R448A refrigerant
- Open angle-iron suspended compressor compartment
- Remote mounted on/off switch with stainless steel face plate
- 120V condensing unit
- 6' cord and plug - NEMA 5-15
- Five year warranty on compressor motor

EXTERIOR HOUSING

- Heavy gauge paint grip steel

Specification subject to change



DROP-IN - COLD PAN - MECHANICALLY COOLED-10" DEEP - N7

Catalog No. ADI-MECH10N7

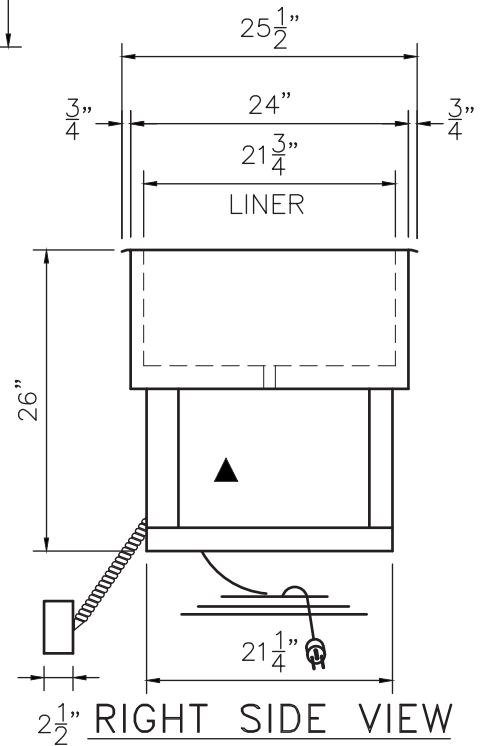
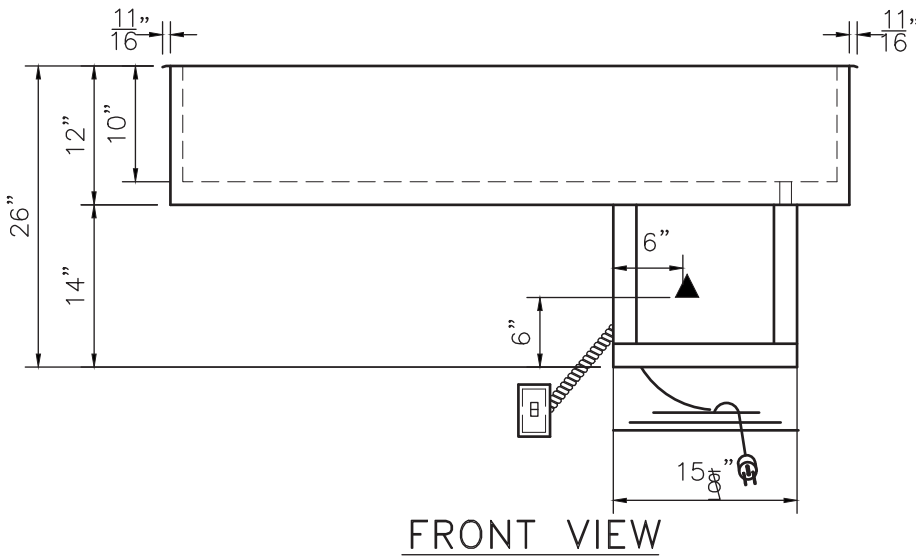
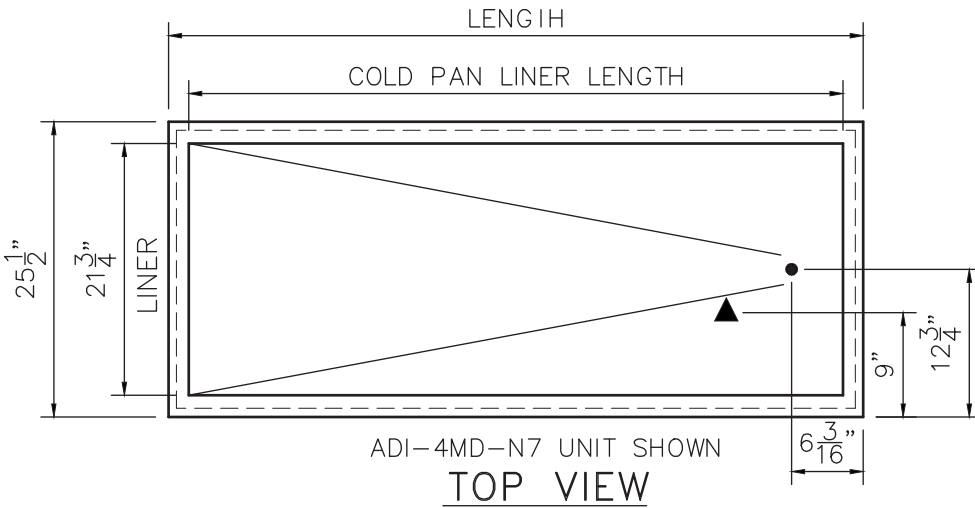
A.I.A. File No. 35-C-13

DROP - INS Cold Pans
Mechanically Cooled - 10" Deep
Meets NSF Standard 7

| LEGEND | |
|--------|-------------------------|
| ▲ | - ELECTRICAL CONNECTION |
| ● | - DRAIN LOCATION |

ELECTRICAL SPECIFICATIONS:

| Model | 120 Volt | |
|------------|----------|-----|
| | Amps | HP |
| ADI-1MD-N7 | 6.14 | .33 |
| ADI-2MD-N7 | 6.14 | .33 |
| ADI-3MD-N7 | 6.78 | .5 |
| ADI-4MD-N7 | 6.78 | .5 |
| ADI-5MD-N7 | 6.78 | .5 |
| ADI-6MD-N7 | 6.78 | .5 |



DIMENSIONS - Liners are 21-3/4" (55.3 cm) W; cutouts 24-3/4" (62.3cm) W

FREIGHT CLASS: 100

| Model | Length | | Width | | Height | | Cube ft crated | Adapter Bars | Weight | | Cold Pan - L | | Cutout - L | |
|------------|--------|-------|--------|------|--------|------|----------------|--------------|--------|-------|--------------|-------|------------|-------|
| | in | cm | in | cm | in | cm | | | lbs | kg | in | cm | in | cm |
| ADI-1MD-N7 | 18 7/8 | 45.7 | 25 1/2 | 64.8 | 26 | 61.0 | 14.0 | 0 | 150 | 68.2 | 14 1/2 | 36.8 | 17 1/2 | 44.5 |
| ADI-2MD-N7 | 32 7/8 | 81.3 | 25 1/2 | 64.8 | 26 | 61.0 | 11.9 | 1 | 160 | 72.7 | 28 1/2 | 72.4 | 31 1/2 | 80.0 |
| ADI-3MD-N7 | 46 7/8 | 116.8 | 25 1/2 | 64.8 | 26 | 61.0 | 16.8 | 2 | 230 | 104.6 | 42 1/2 | 108.0 | 45 1/2 | 115.6 |
| ADI-4MD-N7 | 60 7/8 | 152.4 | 25 1/2 | 64.8 | 26 | 61.0 | 21.7 | 3 | 280 | 127.3 | 56 1/2 | 143.5 | 59 1/2 | 151.1 |
| ADI-5MD-N7 | 74 7/8 | 188.0 | 25 1/2 | 64.8 | 26 | 61.0 | 26.6 | 4 | 340 | 154.6 | 70 1/2 | 179.1 | 73 1/2 | 186.7 |
| ADI-6MD-N7 | 88 7/8 | 223.5 | 25 1/2 | 64.8 | 26 | 61.0 | 31.5 | 5 | 380 | 172.7 | 84 1/2 | 214.6 | 87 1/2 | 222.3 |

REMOTE CONTROL CUTOUT IS 4-1/8" H X 2-3/16" W



Duke Manufacturing Co.
 2305 N. Broadway
 St. Louis, MO 63102

Phone: 314-231-1130
 Toll Free: 1-800-735-3853
 Fax: 314-231-5074

www.dukemfg.com