

**Installation instructions for KCFS71-30 kit used with Ice-O-Matic 30" wide CIM series icemakers on a Coke Freestyle™ 7100 or 7000 dispenser.**

**(Reference: Coke Adaptor Kit also required. Available in Silver, Red, and Black).**

**\*KCFS71-30 kit to be installed by qualified ice machine installer**

1. Prior to installing the ice maker on the dispenser, review the Freestyle Icemaker Installation Process and Freestyle Icemaker Adapter Cladding Removal and Reinstallation instructions.

2. After uncrating and inspection, the ice machine is ready for installation. It is important that the machine be installed in a location where it has enough space for proper air circulation and accessibility for service. It must have a minimum of 6-8 inches in back, top and both sides.

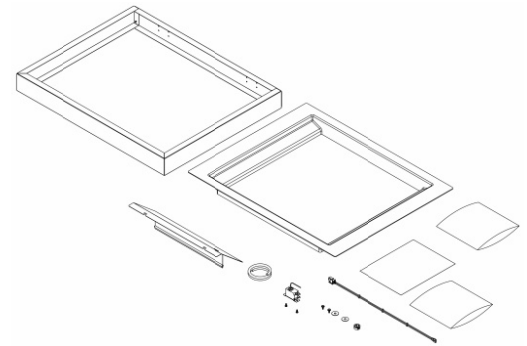
3. Remove the front, top and both side panels for ease of installation. The icemaker is heavy so the use of a mechanical lift is recommended for lifting the icemaker high enough to install on top of the dispenser.

4. Cut the gasket strip as shown in the cut pattern below. Install gasket strip on the top, outside edge of the bin liner. Repeat this process with the underside of the sheet metal riser assembly.

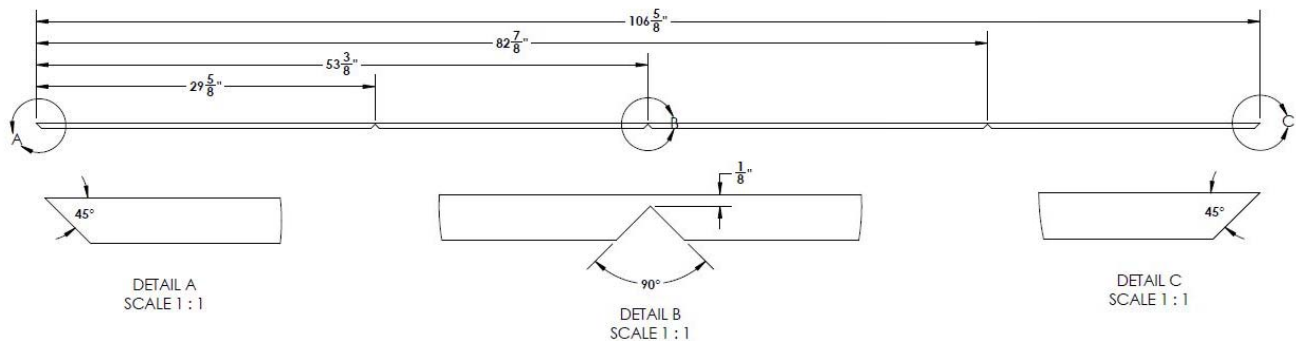
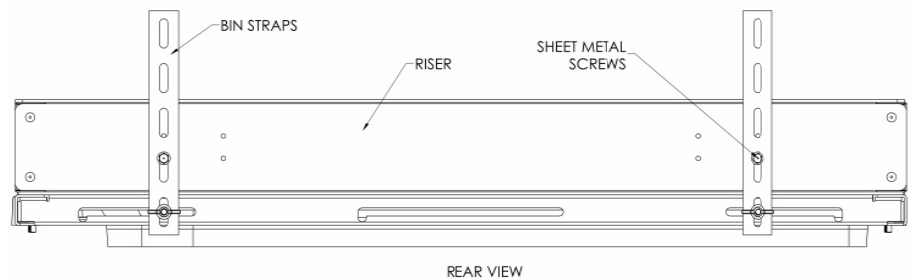
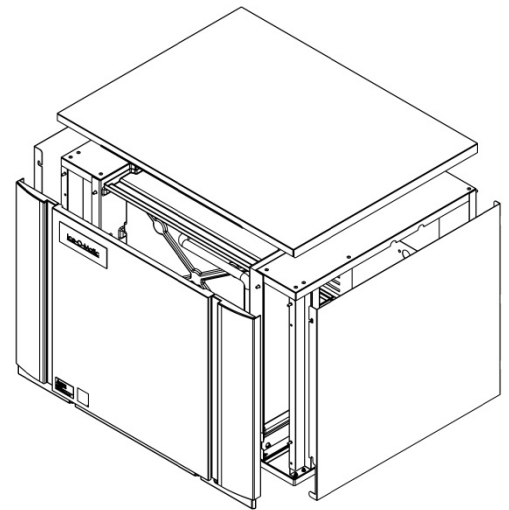
5. Install the riser onto the dispenser and use the included sheet metal screws & bin straps to secure it to the dispenser.

5. Install the bin liner into the riser assembly. Ensure the two dented sections are in the front.

Components included in kit (for reference)

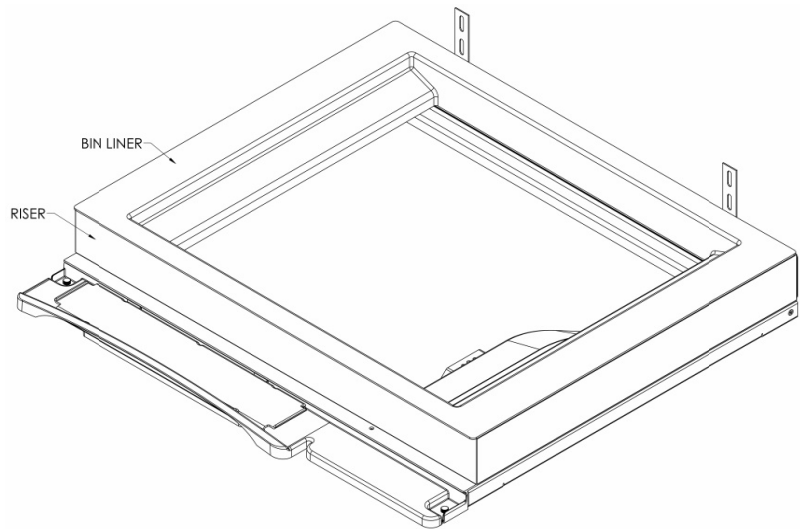


CIM0636 WATER (shown for reference)

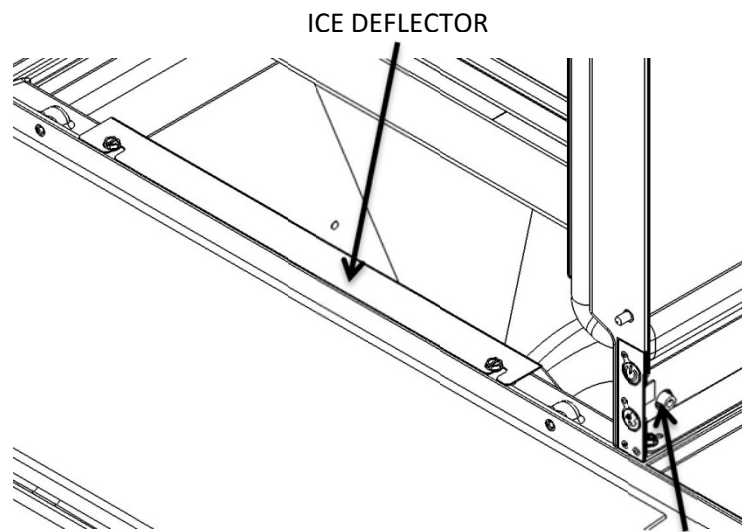


\*ALL MIDDLE CUTS (3X)

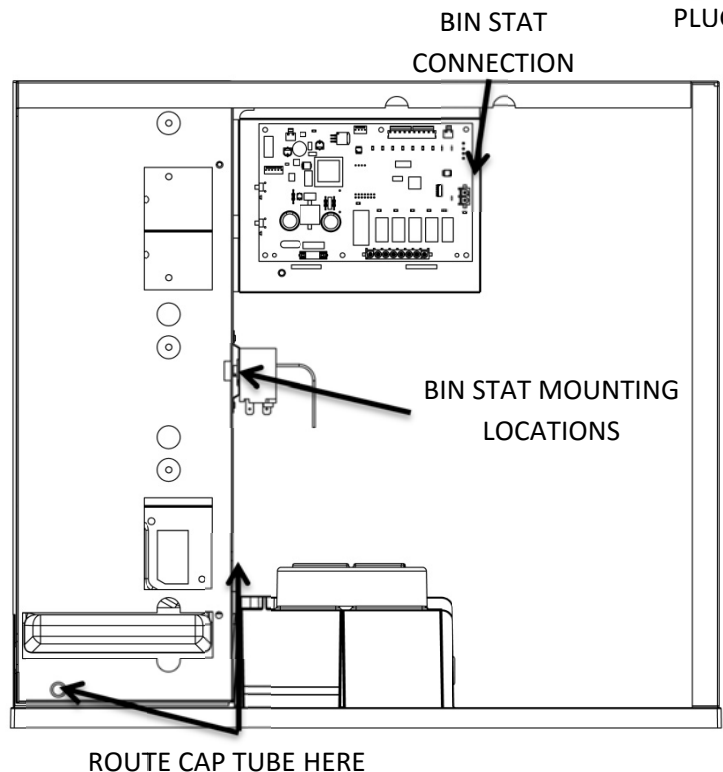
6. After installing the bin liner onto the riser, install the ice maker on top of the riser. Use the two inner screws that came pre-installed to the back of the ice machine, the fender washers provided in this kit, & the bin straps to secure the ice machine to the dispenser and riser. **Note:** The machine should be biased slightly to the right (as viewed from the front) to allow for proper sump removal.



7. Install the ice deflector assembly to the ice machine. Make sure that the end of the deflector with the thermal well is down into the bin. Secure with the #10 screws provided in the base. Remove the plug from the right side of the food zone for the installation of the bin thermostat in later steps. **Note:** The slots in the ice deflector are designed so that the screws in the base only need to be loosened, rather than completely removed.

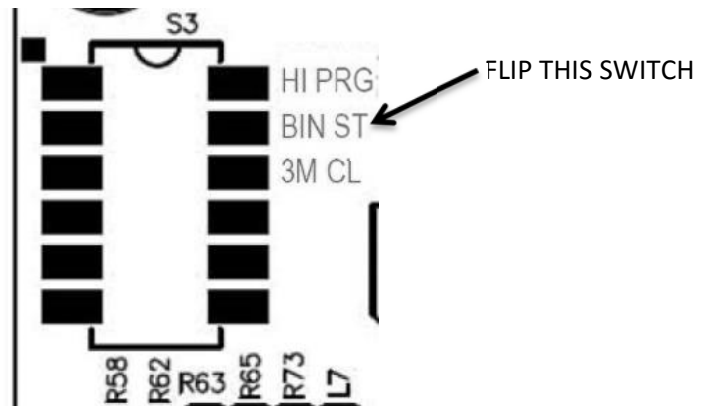


8. Remove control box cover on right side of ice machine & install bin level thermostat in holes provided on control box or frame. Attach provided bin thermostat harness to thermostat, and then route other end into control box. Plug into connector labeled bin thermostat. Route thermostat capillary tube so it does not interfere with any electrical or moving components. Thread cap tube thru plastic tubing. Use the provided bushing to route the cap tube through the hole in the deflector, then into the thermal well on deflector. Make sure cap tube extends thru entire length of thermal well. Position plastic tubing over exposed portion of cap. tube. Place one end of plastic tubing next to thermal well. To prevent moisture from entering the thermal well, silicone the flared end.



9. Flip second dip switch on control board (top left corner) to on position (see image).

10. Replace the control box cover. Reference the Installation Manual (Supplied with the ice machine) for start-up instructions. Install all panels when complete.



**Note:** Adjust Bin Thermostat so that ice level is maintained in bin at level of thermal well according to directions below.

### **Bin Thermostat Adjustment**

Hold ice against the brass thermal-well mounted to the ice deflector making sure the ice is in contact with at least 6 inches (15 cm) of the thermal-well. The bin control should open in approximately 1 minute. Remove the ice. The bin control should close in approximately 3 minutes. If a major adjustment is required, turn the adjustment screw counterclockwise (warmer) until it stops then turn the adjustment screw clockwise (colder) 1/8 of a turn. This should put the control close to the proper adjustment, recheck and make a minor adjustment if needed. If a minor adjustment is required, turn the adjustment screw clockwise (colder) or counterclockwise (warmer).