

*This Space for Architect/Engineer Approval*

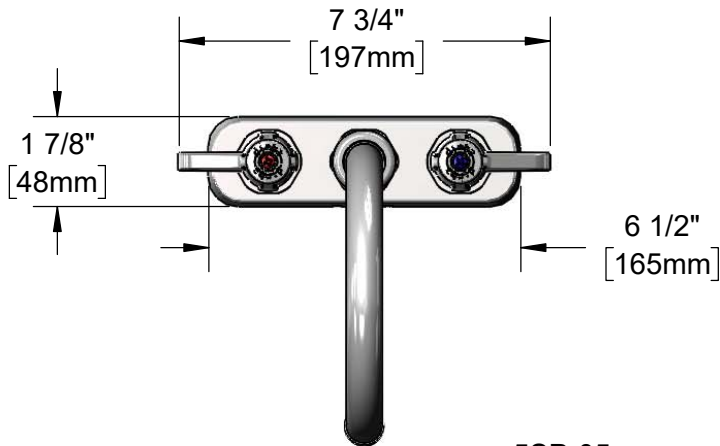
Job Name \_\_\_\_\_ Date \_\_\_\_\_

Model Specified \_\_\_\_\_ Quantity \_\_\_\_\_

Customer/Wholesaler \_\_\_\_\_

Contractor \_\_\_\_\_

Architect/Engineer \_\_\_\_\_



5SP-05  
equip 5 9/16" Swivel Gooseneck  
w/ Laminar Flow Device.  
Rigid Conversion Requires  
014200-45 Lock Washer  
(Sold Separately)

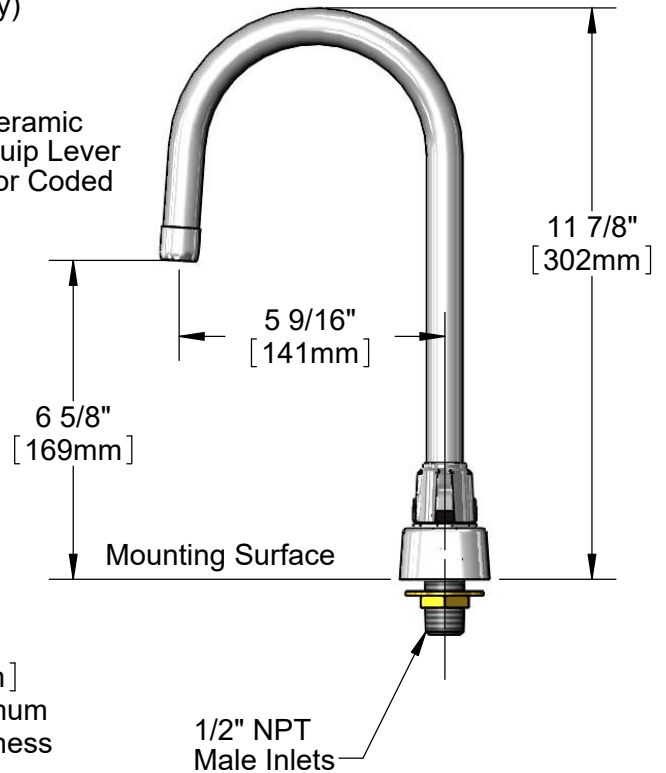
Quarter-Turn Ceramic  
Cartridges & equip Lever  
Handles w/ Color Coded  
Screws

1 1/16"  
[27mm]

1 1/8"  
[29mm]

4"  
[102mm]

1/4"  
[6mm]  
Maximum  
Thickness



Rough-in Requirement:  
(2) Ø 1" [25mm] Mounting Holes

Model Number  
**5F-4CLX05**

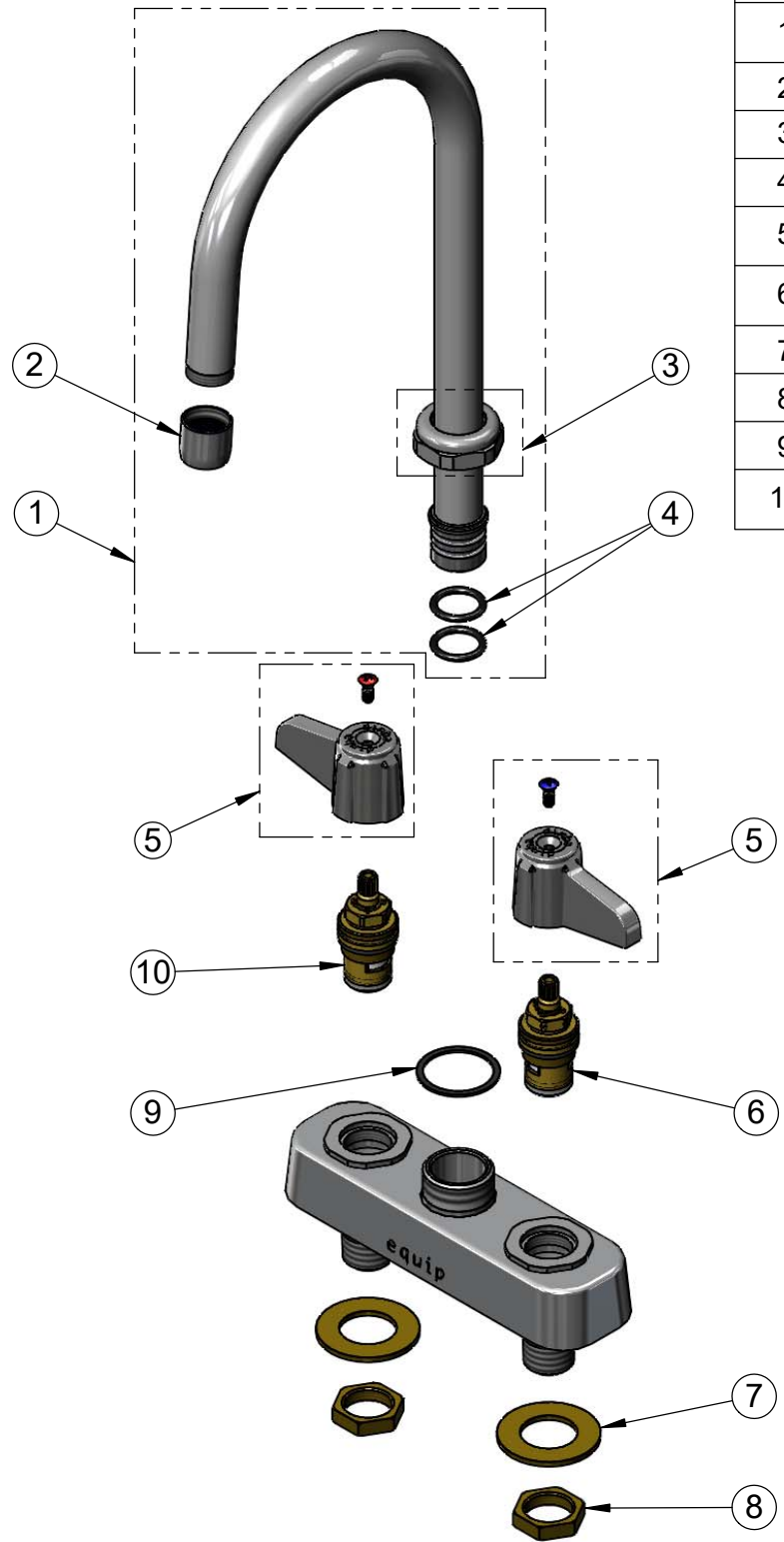
Product Compliance:  
ASME A112.18.1 / CSA B125.1  
NSF 61 - Section 9  
NSF 372 (Low Lead Content)  
ANSI A117.1 (ADA)

Product Specifications:  
4" Deck Mount Workboard Mixing Faucet w/ Quarter-Turn Ceramic Cartridges, equip Lever Handles, equip 5 9/16" Swivel Gooseneck & 1/2" NPT Male Inlets

equip  
Foodservice  
Accessories

2 Saddleback Cove, P.O. Box 1088  
Travelers Rest, South Carolina 29690  
Phone: 800.891.4808 Fax: 800.868.0084  
equip.tsbrass.com

ITEM NO.	SALES NO.	DESCRIPTION
1	5SP-05	equip 5 9/16" Swivel Gooseneck
2	014250-45	Laminar Flow Device
3	013839-25	equip Swivel Nut
4	013848-45	equip Swivel Piece O-Ring
5	5-HDL-L	equip Lever Handle w/ Color Coded Screws
6	013788-45	Equip Ceramic Cartridge, LTC
7	000999-45	Brass Lock Washer
8	002954-45	Shank Lock Nut
9	017587-45	Swivel Nut Seal
10	013787-45	Equip Ceramic Cartridge, RTC



Model Number  
**5F-4CLX05**

Product Specifications:  
4" Deck Mount Workboard Mixing Faucet w/ Quarter-Turn Ceramic Cartridges, equip Lever Handles, equip 5 9/16" Swivel Gooseneck & 1/2" NPT Male Inlets

Product Compliance:  
ASME A112.18.1 / CSA B125.1  
NSF 61 - Section 9  
NSF 372 (Low Lead Content)  
ANSI A117.1 (ADA)

equip  
Foodservice  
Accessories



2 Saddleback Cove, P.O. Box 1088  
Travelers Rest, South Carolina 29690  
Phone: 800.891.4808 Fax: 800.868.0084  
equip.tsbrass.com