



14" x 10" Eye Wash Station

Stainless Steel Hand Sinks - Special Purpose

Features:

- Eye wash faucet attachment
- 1 7/8" basket drain included
- BKF-W-3G-G faucet included
- Marine edge
- Wall mounting hardware included

Material:

- T-304 Stainless Steel

Important:

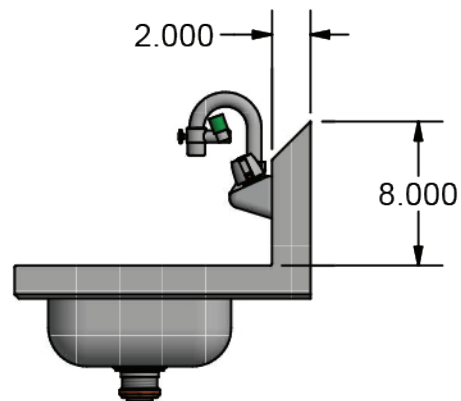
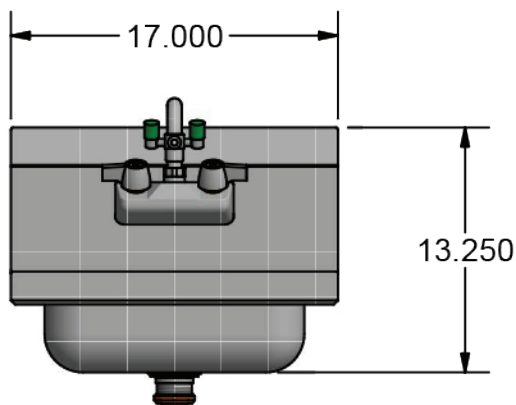
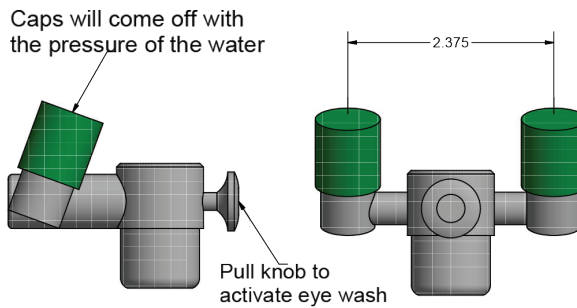
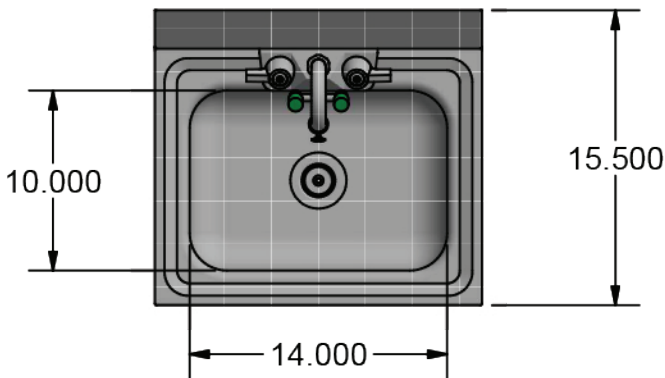
- The eye wash fountain has been tested by independent laboratories to confirm compliance with ANSI Standard Z358.1, showing compliance to OSHA requirements.
- For OSHA compliance on installation, delivered hot water cannot exceed 100°F
 - * Check with individual state laws for for temperature requirements

Instructions:

- Requires two actions to activate eyewash.
 - 1) Turn on water (either cold or warm)
 - 2) Pull knob to activate eyewash flow (see spec below)



Part Number	Unit Size (l x w)	Bowl Dim. (l x w x d)	Faucet / Spout Mounting	Included Faucet	Drain Size
BKHS-W-1410EY-P-G	17" x 15 1/2"	14" x 10" x 5"	4" O.C. Splash	BKF-W-3G-G	1 7/8"



PRODUCT DATA SHEET

BK RESOURCES

