



Your Solutions Partner

Specifications

F.O.B. Sedalia, Missouri 65301

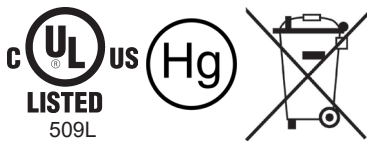


984

OPTIONS:

- Fluorescent Lights (FL)
- Special lengths
- Special guards
- Powder coat painted finishes

Agency Listings:



DUKE MANUFACTURING CO.
 2305 N. Broadway
 St. Louis, MO 63102
 800.735.3853 Toll Free
 314.231.5074 Fax
 www.dukemfg.com

SS-1093 Foodshield Glass Display-98X

Approval Stamp(s):

PRODUCT INFORMATION:

PROJECT: _____

ITEM: _____

QUANTITY: _____

MODEL: Foodshield - Glass Display Shelves - 16"W

Fits: Aerohot & Thurmduke Steamtables, Heri-
 tage, EconoMate,
 Aeroserv Serving Systems

- 982
- 983
- 984 Deluxe Glass Display Shelves
- 985
- 986

SHELVES:

- 1/4" tempered glass shelves
- Shelves hold pre-packaged products

FRAMES:

- 3/4" square stainless steel tube with welded corners

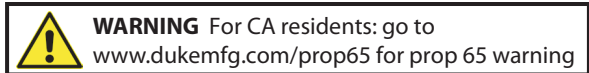
GUARDS:

- Glass guards mounted on adjustable stainless brackets with exposed glass edges bound in stainless channels
- Self-service one sided style
- Clear acrylic enclosures both ends

SIZES:

All units available in following lengths:

- 30-1/8"
- 44-1/8"
- 58-1/8"
- 72-1/8"
- 86-1/8"



Specification subject to change

REV D 06/01/2022

FOODSHIELD - GLASS DISPLAY SHELVES

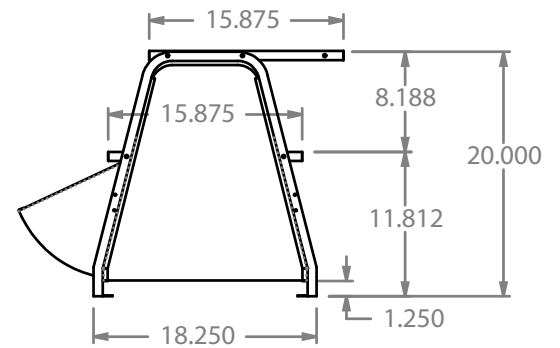
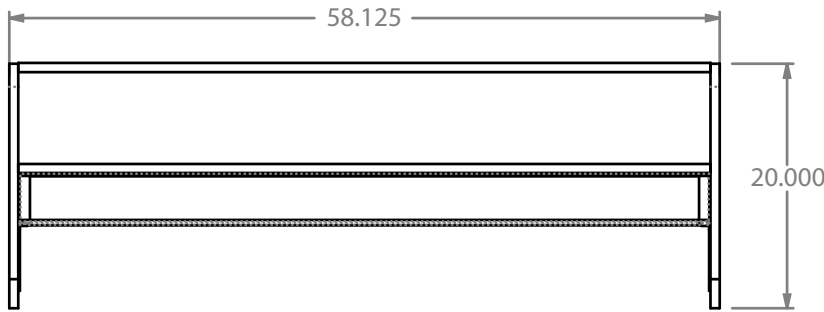
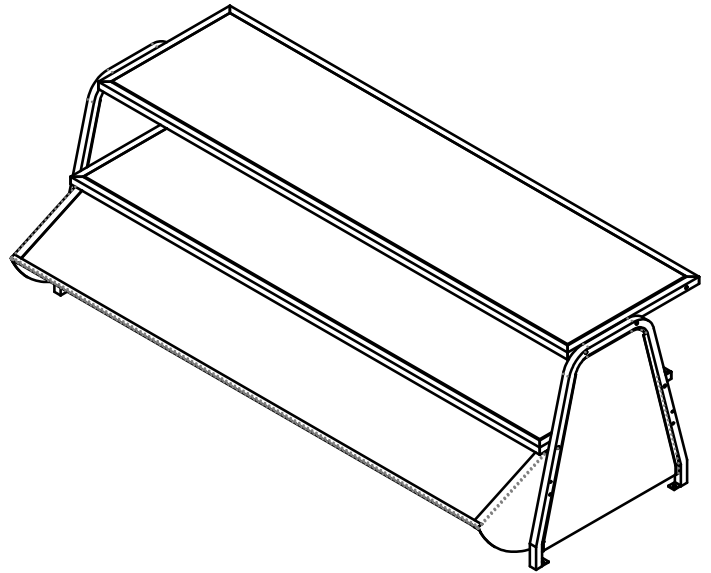
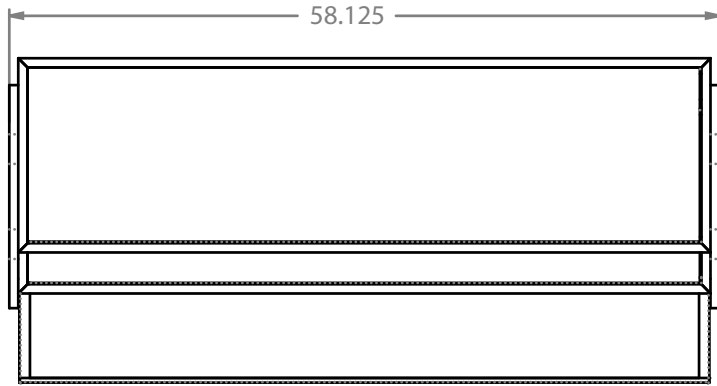
Catalog No. FS-SHELVES

A.I.A. File No. 35-C-13

FOODSHIELD - Glass Display Shelves

A.I.A. File No. 35-C-13

Catalog No. FS-SHELVES



DIMENSIONS:

Freight Class: 100

Model	Length		Width		Cube ft. Crated	Weight	
	in	cm	in	cm		lbs	kg
982	30-1/8	76.5	18.25	46.36	11.8	50	22.7
983	44-1/8	112.1	18.25	46.36	16.3	65	29.6
984	58-1/8	147.6	18.25	46.36	20.1	80	36.4
985	72-1/8	183.2	18.25	46.36	27.0	100	45.5
986	86-1/8	218.8	18.25	46.36	30.3	125	56.8

Deluxe Glass Display Shelves - All units 20"/50.8cm above counter surface

FOODSHIELD - GLASS DISPLAY SHELVES



Duke Manufacturing Co.
2305 N. Broadway
St. Louis, MO 63102

Phone: 314-231-1130
Toll Free: 1-800-735-3853
Fax: 314-231-5074

www.dukemfg.com

Printed in U.S.A
© 2019, Duke Manufacturing Co.