

BTRS1-TB1

AUTO-RINSE™ TABLE TOP BUNDLE

AUTO-RINSE™ (BTRS-1) + TABLE TOP BASE (TB1)



BTRS-1 FEATURES

- Stainless steel construction
- Quickly, thoroughly, and automatically rinses a pair of: mixing tins, mixing glasses, jiggers, Hawthorne strainers, wine portioning carafes, milk frothing pitchers, and more
- Warm-water rinse quickly dissolves sugars and other residues
- Disassembles for easy cleaning — all removable components can be placed on a single glass washer rack
- Does not require electricity
- Does not use chemicals
- NSF certified

BTRS-1 TECHNICAL SPECIFICATIONS

- Minimum water pressure requirement: 30 psi
- Self-metering valve: 1/2" NPSM inlet, 3/8" compression thread outlet
- Nozzles: solid-stream polypropylene
- Drain: oversized 1-1/2" drain fitting with strainer
- Backflow preventer: lead-free, dual-check valve
- Mixing valve: 3/8" compression threads. Check valve at inlets. Lever-dial adjustment with lock screw
- Materials: 18 ga. stainless steel. All plumbing components meet federal lead-free requirements and/or NSF standards
- Can rinse items up to 8" tall and 3.8" in diameter (standard mixing tins and mixing glasses)



TB1 FEATURES

- Stainless steel construction
- Allows Auto-Rinse™ to be placed on counter tops, table tops, equipment stands, etc.
- Great for specialty coffee and bubble tea service
- Adjustable feet



TB1

PRODUCT NOTES (see pg. 2 for detailed diagrams)

- If mounting beneath bar top, shelving, or any obstruction more than 6" deep, allow minimum 2" clearance above unit for removal of top cover
- Allow minimum 4" clearance on right side of valve box for servicing
- 1.5" PVC or copper drain line recommended. Bushing down to smaller sizes will accelerate clogging

Omni-Rinse, LLC · 1258 Remington Road Suite A · Schaumburg, IL 60173 · O: 847.792.1177 · F: 630.339.9070 · www.OmniRinse.com

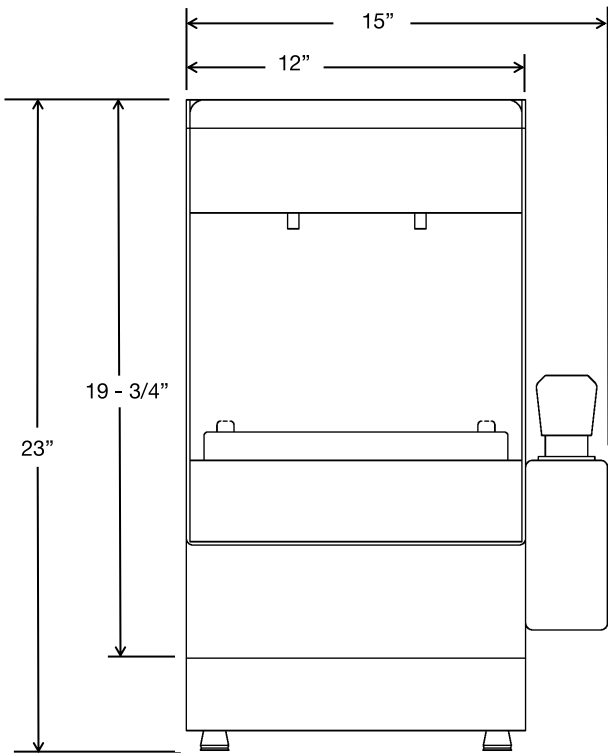
Specifications subject to change without notice

Form ID: TD-SS-BTRS1-TB1

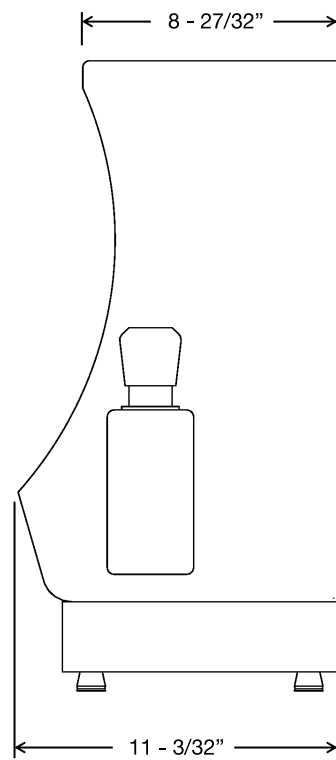
Rev. 04.01.2019

BTRS1-TB1

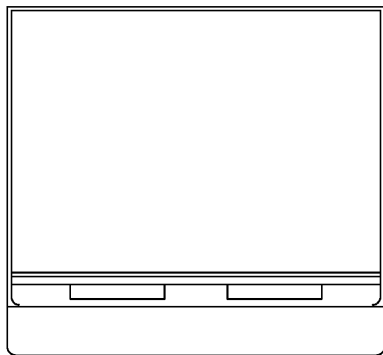
AUTO-RINSE™ (BTRS-1) + TABLE TOP BASE (TB1)



FRONT ELEVATION



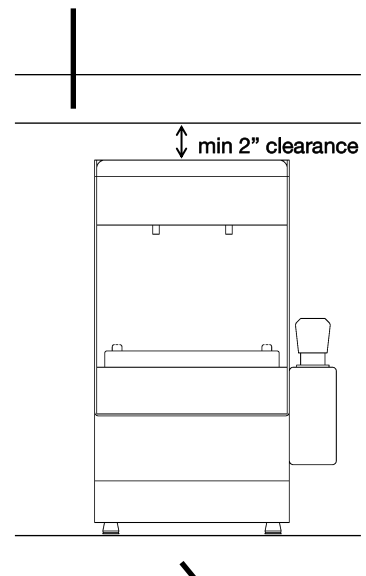
SIDE ELEVATION



PLAN VIEW

Allow 4"
clearance on
right side of
valve box

BAR TOP, SHELF, OR OTHER OBSTRUCTION



COUNTER TOP