

34E Series - Endless Design Double Duty - Deli



| Model No. | Description | Length | Depth | Height | Voltage | Amps | HP/BTUs | Power Cord | Est. Ship Weight |
|-------------------------|----------------|--------|-------|--------|---------|------|---------|------------|------------------|
| SC-CDS34E-4-LED | Self Contained | 52.5" | 36.5" | 53.0" | 115 | 12.0 | 1/4 | YES | 530 |
| SC-CDS34E-6-LED | Self Contained | 76.5" | 34.5" | 53.0" | 115 | 12.0 | 1/3 | YES | 741 |
| SC-CDS34E-8-LED | Self Contained | 100.5" | 34.5" | 53.0" | 115 | 16.0 | 1/2 | YES | 897 |
| SC-CDS34E-10-LED | Self Contained | 124.5" | 34.5" | 53.0" | 115 | 13.8 | 1/2 | NO | 1150 |
| SC-CDS34E-12-LED | Self Contained | 148.5" | 34.5" | 53.0" | 115 | 17.4 | 3/4 | NO | 1414 |
| R-CDS34E-4-LED | Remote | 52.5" | 34.5" | 53.0" | 115 | 0.8 | 1400 | NO | 497 |
| R-CDS34E-6-LED | Remote | 76.5" | 34.5" | 53.0" | 115 | 1.3 | 2100 | NO | 693 |
| R-CDS34E-8-LED | Remote | 100.5" | 34.5" | 53.0" | 115 | 1.6 | 2800 | NO | 832 |
| R-CDS34E-10-LED | Remote | 124.5" | 34.5" | 53.0" | 115 | 2.4 | 3500 | NO | 1089 |
| R-CDS34E-12-LED | Remote | 148.5" | 34.5" | 53.0" | 115 | 2.4 | 4200 | NO | 1359 |

MODEL NUMBER PREFIX - SC = Self Contained R = Remote
 MODEL NUMBER SUFFIX - W = White B = Black S = Stainless Steel LED = LED lighting
 • Cases are designed to operate at 75 degrees Fahrenheit and 55% relative humidity
 • Cases are equipped with drains; check your local building codes for connection requirements.
 • Specification subject to change without notice
 IF COLORS ARE MIXED AN ADDITIONAL CHARGE WILL APPLY



34E Series - Endless Design Double Duty - Deli

Standard Specifications and Optional Features

CONSTRUCTION

- UL Classified to ANSI/NSF 7
- Foamed in place CFC free foam
- Thermal insulated front glass - 28" H
- Heavy gauge steel super structure
- Bottom storage
- Endless design allows for continuous line up
- Drain is included for cleaning

INTERIOR

- White, black, and stainless steel ends
- Stainless steel heavy gauge mezzanine shelf
- White aluminum floor (bottom storage area)
- Air insulated baffle (prevents moisture from dripping into display area)

EXTERIOR

- Double pane rear removable doors
- Newly designed rear compression door jamb
- Removable front grille allows for cleaning
- Removable rear grille for easy servicing
- 2 - 1/4" removeable end panels
- 1" Front bumper

FINISHES

- White, black, and stainless steel front and ends
- Stainless steel mirror trim
- Stainless steel heavy gauge top - 19 - 1/2" W
- Rear of unit is stainless steel brush finish at top
- Bottom rear is designer white or glossy black

LIGHTING

- 2 rows of lighting at top of unit

ELECTRICAL REQUIREMENTS

- 115V 4', 6', AND 8' with power cord
- Unit must be hard wired 10' and 12' ONLY
- UL/CUL listed
- 115V-12AMP general purpose receptacle (wired separately) 10' and 12' ONLY

REFRIGERATION

- Copevap system (eliminates need for condensate pan)
- R513A expansion valve system (SC)
- R448A expansion valve system (R)
- Gravity coil located at inside top of unit
- Self contained unit
- Automatic defrost electronically controlled (self contained units only)
- Electronically maintains constant temperatures
- Remotes available

OPTIONS

- LED lit shelves
- Scale stand
- Paper cutter
- Stainless steel, laminate, or paint
- Mirrored doors
- Extra stainless steel mezzanine shelf
- Drop work shelf
- 1" Special color front bumper
- Door lock
- Digital thermometer
- Pass thru front doors
- Salad pan settings

Important Note:

All refrigerated cases are designed to operate in an environment of 75 degrees and 55% relative humidity. Product must be cooled before being displayed within the case.

DRAIN IS REQUIRED

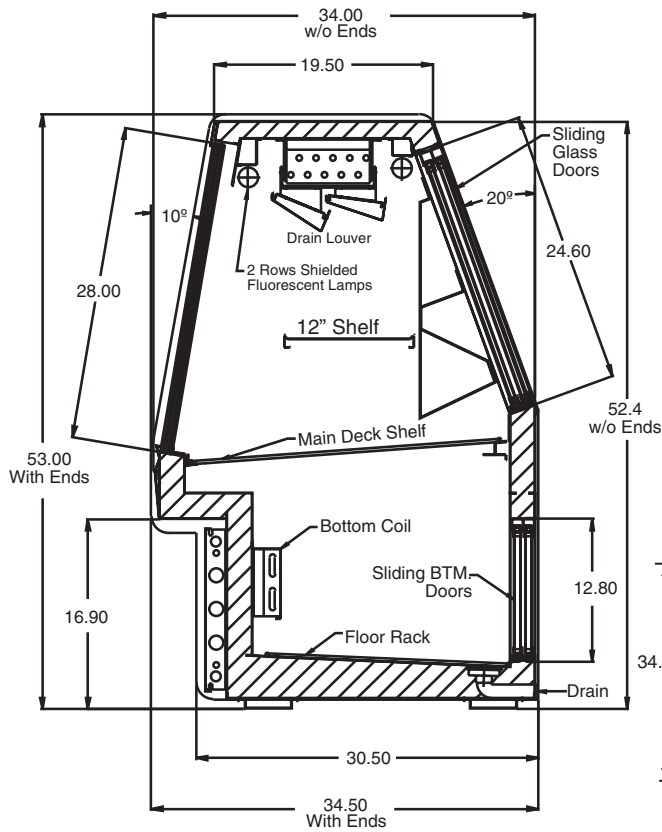
34E Series - Endless Design Double Duty - Deli

Technical Data

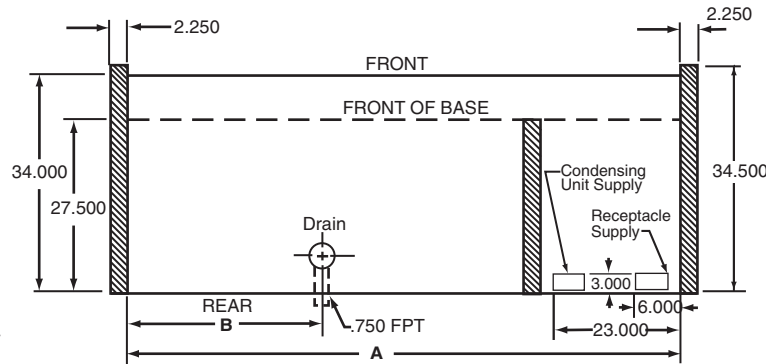
| Model No. | SC R | SC-CDS34E-4-LED R-CDS34E-4-LED | SC-CDS34E-6-LED R-CDS34E-6-LED | SC-CDS34E-8-LED R-CDS34E-8-LED | SC-CDS34E-10-LED R-CDS34E-10-LED | SC-CDS34E-12-LED R-CDS34E-12-LED |
|----------------------------|-------------|-----------------------------------|-----------------------------------|-----------------------------------|-------------------------------------|-------------------------------------|
| Length with (2) ends | | 52.5" | 76.5" | 100.5" | 124.5" | 148.5" |
| Length without ends | | 48" | 72" | 96" | 120" | 144" |
| Height with ends | | 53.0" | 53.0" | 53.0" | 53.0" | 53.0" |
| Height without ends | | 52.4" | 52.4" | 52.4" | 52.4" | 52.4" |
| Depth with ends | | 36.5" | 34.5" | 34.5" | 34.5" | 34.5" |
| Depth without ends | | 36" | 34" | 34" | 34" | 34" |
| Endless design | | YES | YES | YES | YES | YES |
| (Dimensions are +/- 1/4") | | | | | | |
| Operating temperature | | 36°F to 40°F | 36°F to 40°F | 36°F to 40°F | 36°F to 40°F | 36°F to 40°F |
| Refrigerant (exp. valve) | SC | R513A | R513A | R513A | R513A | R513A |
| Refrigerant (exp. valve) | R | R448A | R448A | R448A | R448A | R448A |
| Compressor size HP | SC | 1/4 | 1/3 | 1/2 | 1/2 | 3/4 |
| Defrost per day (24 hours) | Air Defrost | 1 per day | 1 per day | 1 per day | 1 per day | 1 per day |
| BTU's at +20°F Evap Temp | R | 1400 | 2100 | 2800 | 3500 | 4200 |
| Voltage | SC | 115 | 115 | 115 | 115 | 115 |
| Amperage | SC | 12.0 | 12.0 | 16.0 | 13.8 | 17.4 |
| Remote Voltage | R | 115 | 115 | 115 | 115 | 115 |
| Amperage, lights only | R | 0.8 | 1.3 | 1.6 | 2.4 | 2.4 |
| Cord and plug | SC | YES | YES | YES | NO | NO |
| | R | NO | NO | NO | NO | NO |
| Exterior color | | W, B, S | W, B, S | W, B, S | W, B, S | W, B, S |
| Interior color | | W, B, S | W, B, S | W, B, S | W, B, S | W, B, S |
| Inside end panels | | W, B, S | W, B, S | W, B, S | W, B, S | W, B, S |
| Floors | | W, B, S | W, B, S | W, B, S | W, B, S | W, B, S |
| # of top doors | | 2 | 2 | 4 | 4 | 4 |
| Door size | | 20.8" x 23.5" | 31.3" x 23.5" | 20.8" x 23.5" | 20.5" x 23.5" | 31.3" x 23.5" |
| # of coils | | 2 | 2 | 2 | 2 | 2 |
| Bottom storage | | Yes | Yes | Yes | Yes | Yes |
| Front glass | | 28" x 46.6875" | 28" x 70.6875" | 28" x 94.6875" | 28" x 118.6875" | 28" x 142.6875" |
| # of main deck shelves | | 2 | 3 | 4 | 5 | 6 |
| Main deck size | | 24" x 28.625" | 24" x 28.625" | 24" x 28.625" | 24" x 28.625" | 24" x 28.625" |
| Cubic capacity | | 30 | 45 | 60 | 75 | 90 |
| Mezzanine - shelf | | 47.00" x 12.00" | 71.00" x 12.00" | (2) 47.00" x 12.00" | (2) 59.00" x 12.00" | (2) 71.00" x 12.00" |
| Shipping Info | | | | | | |
| Height | | 63" | 63" | 63" | 63" | 63" |
| Depth | | 44" | 44" | 44" | 44" | 44" |
| Length | | 61" | 87" | 109" | 135" | 157" |
| Gross weight SC/R | | 530/497 | 741/693 | 897/832 | 1150/1089 | 1414/1359 |
| Cubic feet | | 89 | 128 | 164 | 199 | 231 |

34E Series - Endless Design Double Duty - Deli

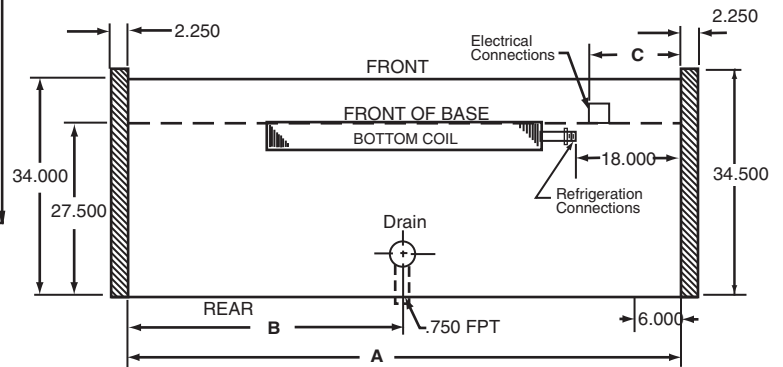
Technical Data • Side View • Plan View



Cross Section



| MODEL NO. | A | B |
|------------|------|-----|
| S/C-34E-4 | 48" | 12" |
| S/C-34E-6 | 72" | 24" |
| S/C-34E-8 | 96" | 36" |
| S/C-34E-10 | 120" | 48" |
| S/C-34E-12 | 144" | 60" |



| MODEL NO. | A | B | C |
|-----------|------|-----|-----|
| R-34E-4 | 48" | 24" | 4" |
| R-34E-6 | 72" | 36" | 4" |
| R-34E-8 | 96" | 48" | 52" |
| R-34E-10 | 120" | 60" | 52" |
| R-34E-12 | 144" | 72" | 76" |

Plan Views