

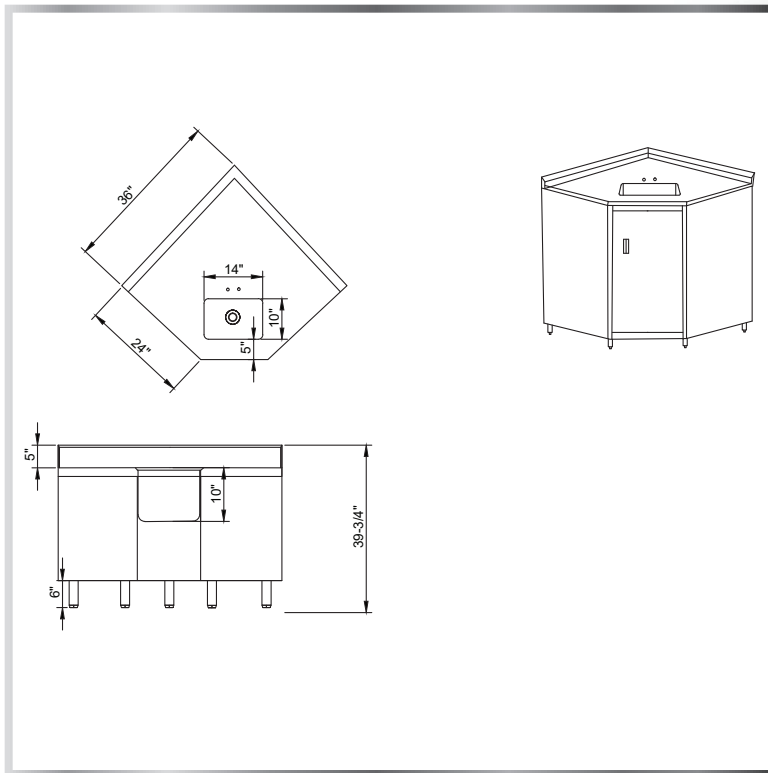
CORNER CABINET WITH SINK

CABINETS - CORNER



MATERIALS

- 14 Gauge 304 Series Stainless Steel Top
- 18 Gauge 304 Series Stainless Steel Base
- Stainless Steel Legs and Panels on Sides and Rear



FEATURES

- 14" x 10" x 10" Welded-In Sink Bowl
- Enclosed Cabinet Base
- Comes Fully Welded and Assembled
- One Hinged Door
- Adjustable Legs
- Drain Basket Included

MODEL NUMBER	BOWL SIZE L X W X H	LENGTH	WIDTH
TCBC-3624R5-1410	14" x 10" x 10"	36"	24"