

MAXIMIZER

Bake & Roast Ovens

MODEL CE41BE

General Features:

- **Quality Construction** for long life
- **Stainless Steel Front Standard**
Stainless top & sides available (T430)
- **Heavy Duty Steel Deck** with flanged sides (16AL)
- **Full Range Digital Thermostat** 200°F - 550°F (93°C - 288°C)
Precise temperature control
- **Space Saver**
Only 50" wide
- **Stackable**
Multiple options for flexibility
- **Aluminized Interior**
Standard
- **Solid State Relay**
Silent operation
- **Easily Serviceable**
Most controls can be replaced from the front of the unit
- **Warranty**
One year parts and labor
- **Power**
Electric
Single phase standard
Three phase optional
- **Specific Features** of the CE41BE listed on back

Warranty:

- One year parts and labor



ELECTRIC



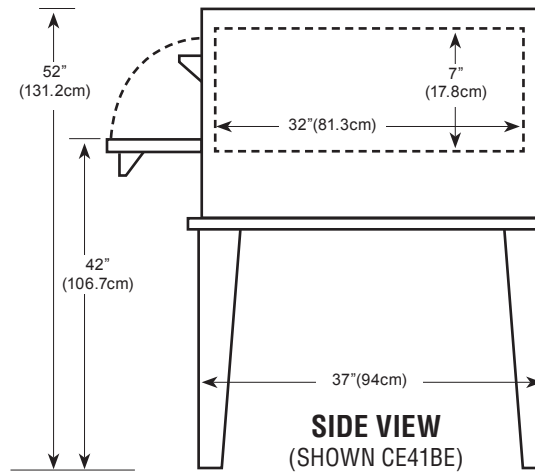
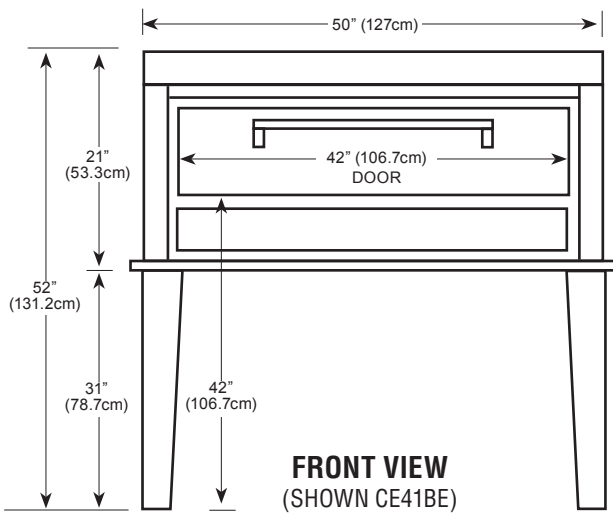
Steel Deck

MORE FOR LESS

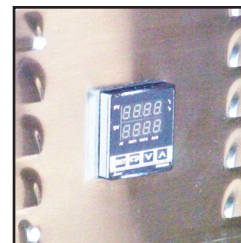
More Cooking Space per Floor Space
More Cooking Capacity per Sales Dollar
More Performance per Dollar



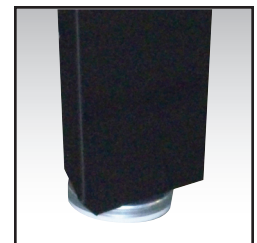
Commercial and Industrial Ovens



Floor space	50"(127cm) wide x 37"(94cm) deep* x 52"(131.2cm) high
Shelf size	42"(105.7cm) wide x 32"(81.3cm) deep x 7"(17.8cm) high
Shipping weight	550 lbs (249.5kg)
Capacity	Two 18"x26" bun pans
Electric	8 KW - 220V single phase, 50 AMPS Optional three phase, 30 AMPS
Opening required for installation: 22"	
	* Handle adds 2.5"(6.4cm) to depth



Digital Electronic Controller



Adjustable Legs

Durable Construction

The CE41BE is built with *prime 20-gauge cold-rolled top and sides* with a 14-gauge base. The *interior is made of Armco Type 1, 20-gauge aluminized steel*. The CE41BE comes standard with stainless steel front, or optional all stainless steel finish. The stainless steel is made of high quality, 18-gauge 430 stainless; the door interior is 18 gauge stainless.

Energy Efficiency

The CE41BE is powered by four 2000w elements which *increases its efficiency and recovery rate*.

Capacity

The CE41BE deck size measures 42"x32"x7". The CE41BE will hold two 18"x26" bun trays. Cook time will vary according to product.

Space Saver

Because the controls are under the door, the CE41BE requires *less installation space* than our competition. This enables you to free up valuable kitchen and/or hood space. The actual width needed is a mere 50" for a 42"x32" deck, almost a foot less than the competition. The CE41BE *can convert into a CE42BE or CE43BESC by stacking*, either initially or after your business grows. This option gives you two or three 42"x32" decks in only 56" of space.

Design Plus

The CE41BE has the *controls in lower front for ease of operation and space savings*. This also places the controls in their own *air-conditioned area* so they are not affected by outside influences.



P.O. Box 859 • Sandusky, Ohio 44870 • (419) 625-4514 • FAX 625-4597