



**T&S BRASS AND BRONZE WORKS, INC.**  
 2 Saddleback Cove / P.O. Box 1088  
 Travelers Rest, SC 29690

Model No.  
**B-7132-U03XS2C**

Item No.

Travelers Rest, SC: 800-476-4103 • Simi Valley, CA: 800-423-0150 • Fax: 864-834-3518 • www.tsbrass.com

This Space for Architect/Engineer Approval

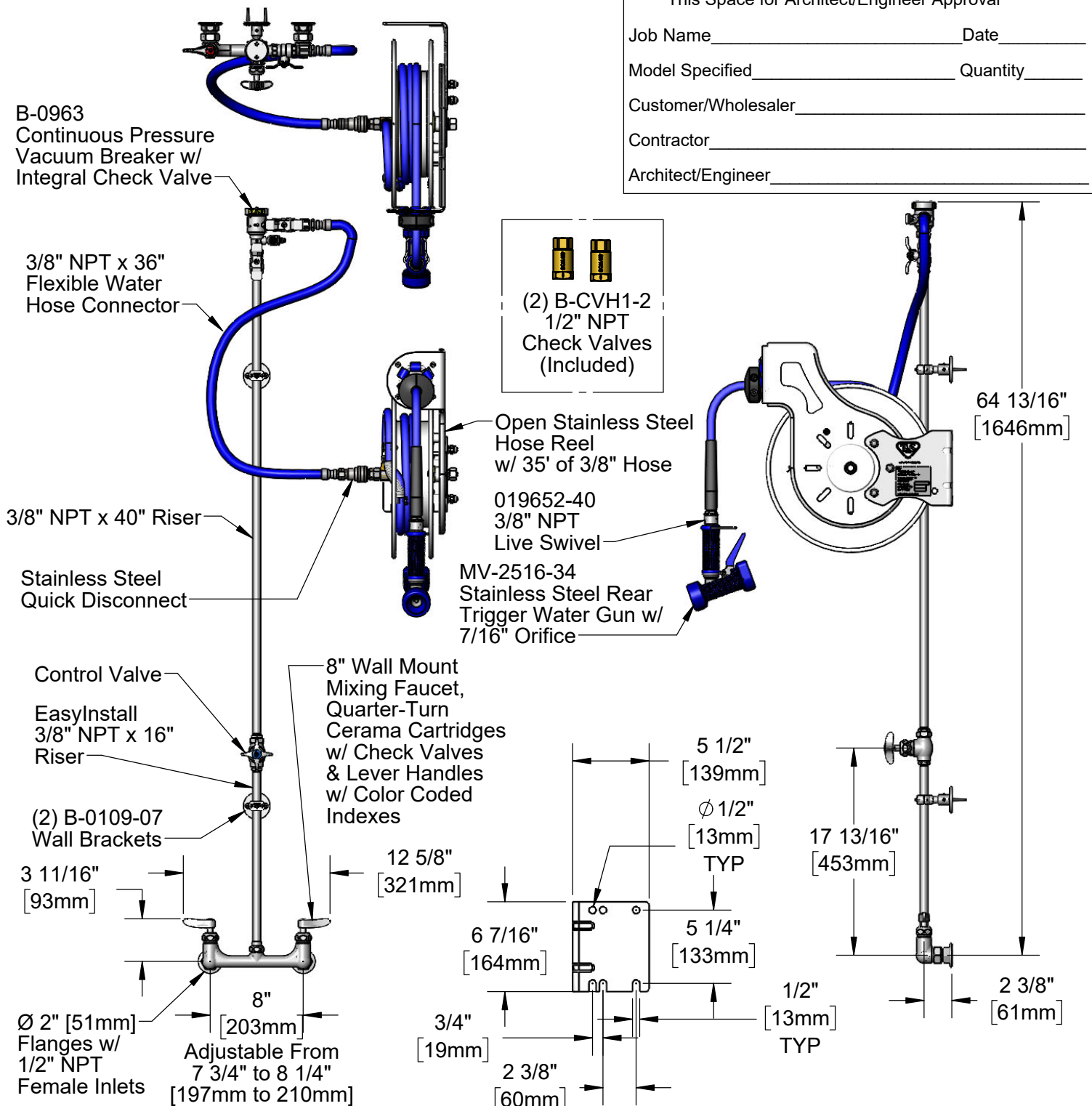
Job Name \_\_\_\_\_ Date \_\_\_\_\_

Model Specified \_\_\_\_\_ Quantity \_\_\_\_\_

Customer/Wholesaler \_\_\_\_\_

Contractor \_\_\_\_\_

Architect/Engineer \_\_\_\_\_



**Product Specifications:**  
 Open Stainless Steel Hose Reel w/ 35' of 3/8" Hose, Stainless Steel Rear Trigger Water Gun w/ Swivel, Vacuum Breaker, 3/8" NPT Flexible Water Hose, 8" Wall Mount Mixing Faucet, 1/2" NPT Check Valves, Wall Brackets & Control Valve

**Product Compliance:**  
 NSF 61 Exempt (Non-Potable)  
 2019 DOE PRSV Non-Compliant  
 ASSE 1056 (VB)



# T&S BRASS AND BRONZE WORKS, INC.

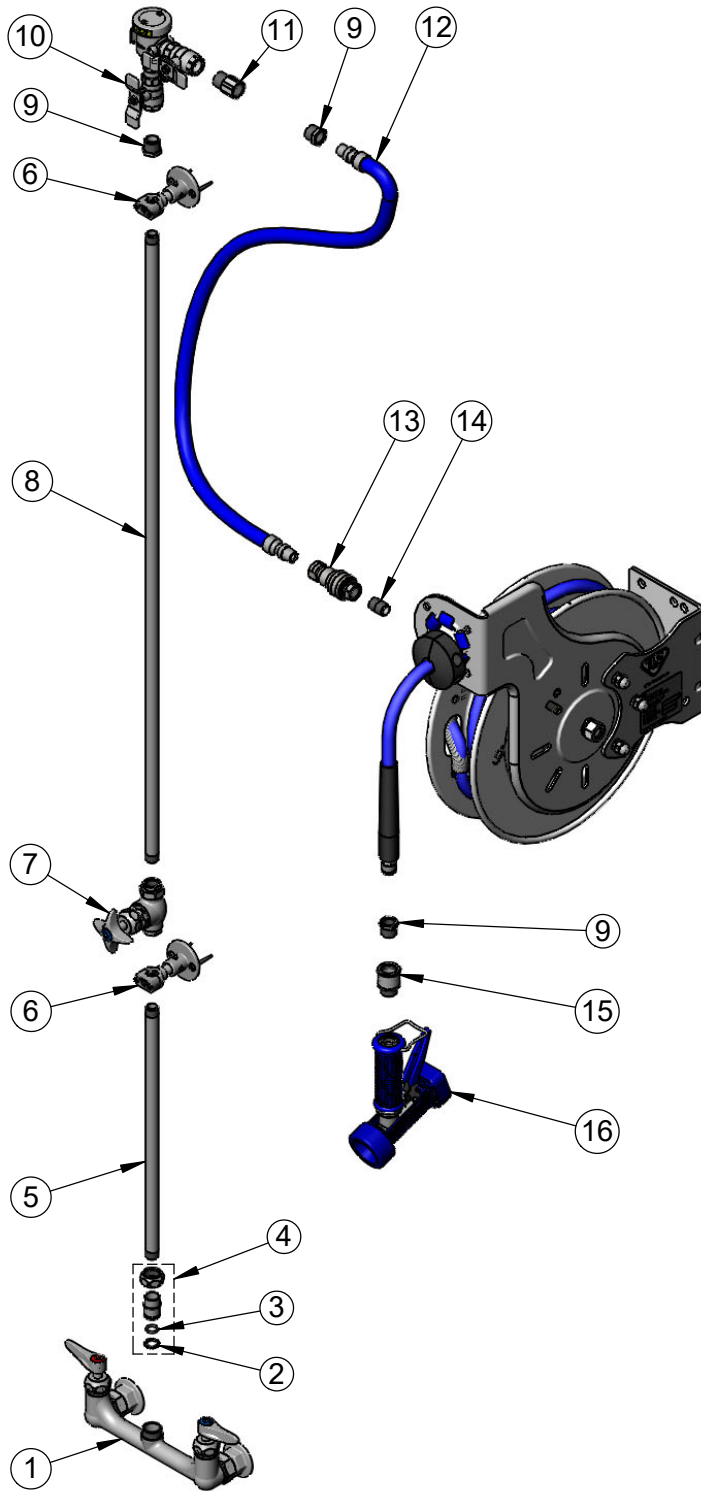
2 Saddleback Cove / P.O. Box 1088  
Travelers Rest, SC 29690

Model No.

**B-7132-U03XS2C**

Item No.

Travelers Rest, SC: 800-476-4103 • Simi Valley, CA: 800-423-0150 • Fax: 864-834-3518 • www.tsbrass.com



ITEM NO.	SALES NO.	DESCRIPTION
1	B-0230-CR-LN	8" Wall Mount Mixing Faucet
2	014200-45	Star Washer, Anti-Rotation
3	001065-45	O-Ring
4	EZ-K	EasyInstall Kit
5	000368-40	Nipple, 3/8" x 16"
6	B-0109-07	Wall Bracket
7	0RK3	Control Valve
8	002558-40	3/8" NPT x 40" Riser
9	001359-40	Hex Bushing, 1/2" NPT Male x 3/8" NPT Female
10	B-0963	Vacuum Breaker 1/2 NPT Female
11	015073-40	Check Valve w/ 1/2" NPT Adapter
12	HW-2B-36	3/8" NPT x 36" Flexible Water Hose
13	AW-5B	3/8" NPT Quick Disconnect
14	002535-25	3/8" Close Nipple
15	019652-40	3/8" NPT Live Swivel
16	MV-2516-34	Stainless Steel Rear Trigger Water Gun w/ Blue Rubber Cover, 7/16" Flow Orifice



(2) B-CVH1-2  
1/2" NPT Check Valve

**Product Specifications:**

Open Stainless Steel Hose Reel w/ 35' of 3/8" Hose, Stainless Steel Rear Trigger Water Gun w/ Swivel, Vacuum Breaker, 3/8" NPT Flexible Water Hose, 8" Wall Mount Mixing Faucet, 1/2" NPT Check Valves, Wall Brackets & Control Valve

**Product Compliance:**

NSF 61 Exempt (Non-Potable)  
2019 DOE PRSV Non-Compliant  
ASSE 1056 (VB)