



CONVECTION OVEN



Countertop Convection Oven, Electric, (5) 13" x 18" Capacity, Programmable Touchscreen Controls, (2) Speed Fan with Door Switch Cutoff, Dual Pane Cool-to-Touch Full View Glass Door, One-Handed Door Operation, Stainless Steel Construction, 4" Adjustable Legs, ETL, NSF, Energy Star



PROJECT _____
 ITEM NO. _____
 NOTES _____

MODEL NUMBER: **NCOT5**



FEATURES

- Temperatures reaching 550°F (218°C)
- Programmable Touchscreen Control w/Icons
 - 18 Programs
 - 3 Stage Baking
- Two Speed Fan
- Door Switch Cutoff for Fan Blower

CONSTRUCTION

- 4" Adjustable Legs
- Stainless Steel Construction
- Press-Fit Removable Gasket for Easy Cleaning
- Dual-Pane, Cool To Touch Glass Door
- Life Up Removable Side Racks
- Left-Hinged Door

OPTIONS & ACCESSORIES

- Wire Shelf [98-1227-A]
- Cart w/ Pan Slides [98-9450]
- Ventless [Suffix V]

CLEARANCES

- 4" [All Sides of Unit]

WARRANTY

- One Year Labor & Two Year Parts



IF EQUIPPING WITH THE OPTIONAL VENTLESS FEATURE

PLEASE NOTE REGARDING THE VENTLESS GREASE EMISSION TESTING

Ventless Testing have been conducted in accordance with EPA Methods 202 (Referencing Methods 1, 2, 3B, 4, 5). These test were performed on January 30, 2019 by Intertek using raw protein. Results are used to determine compliance with Section 59 of UL710 B, the Standard for Recirculating Systems. The



Model	Crated Weight	Overall Dimensions			Interior Dimensions			Pan Capacity (13"x18")	Shelf Spacing
		W	D	H	W	D	H		
NCOT5	180 (82)	29 1/8" (740)	27 7/8" (708)	26 7/8" (683)	18 3/8" (467)	14 3/8" (365)	16 7/8" (429)	5	3 1/8" (79)

SPECIFICATIONS SUBJECT TO CHANGE WITHOUT NOTICE

KCL & REVIT DRAWINGS UPON REQUEST

REVISION B | 7/13/2021

Follow Us



NU-VU

5600 13th Street, Menominee, MI 49858

906.863.4401 | 800.338.9886 | www.nu-vu.com

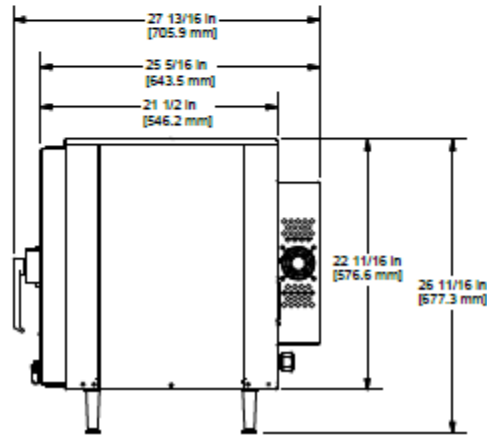
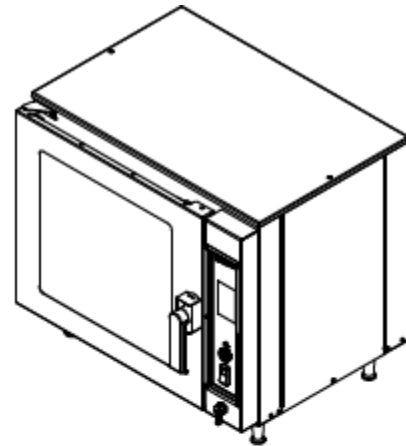
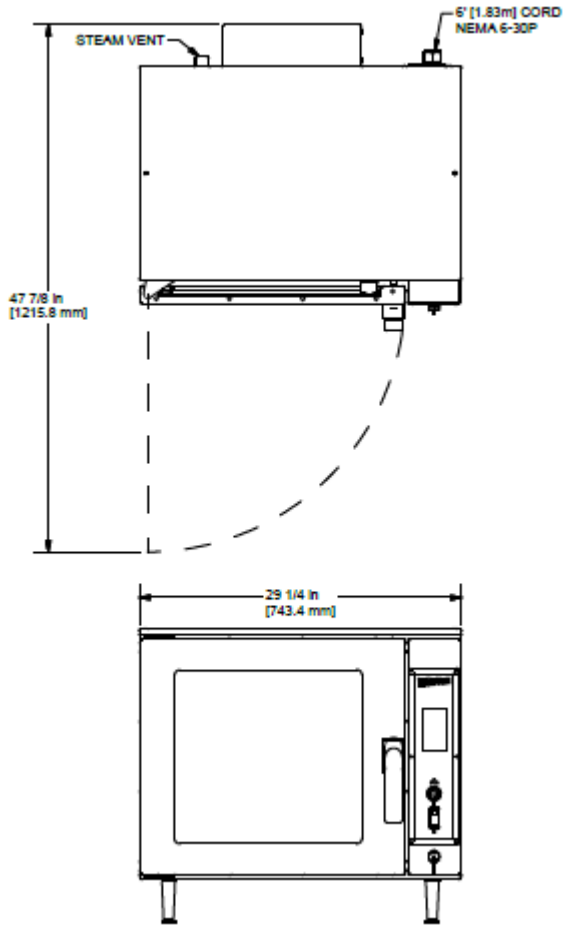




PROJECT _____
 ITEM NO. _____
 NOTES _____

MODEL NUMBER: **NCOT5**

DRAWINGS



ELECTRICAL SYSTEM

Model	Gas System			Electrical System *ground wire not included						
	BTU	D.H.	G.I.	Volts	Phases	Amps	kW	Wires*	Hz	NEMA
NCOT5	-	-	-	208	1	21	4	2	60	6-30P
				240	1	18	4	2	60	

