



16 GAUGE STAINLESS STEEL

ONE STATION WALL MOUNTED SERVICE SINK WITH TUBULAR SUPPORTS ELECTRONIC OPERATED



K-175 Electronic
Faucets Included
On All "EF" Models

Item #: _____ Qty #: _____
 Model #: _____
 Project #: _____



FEATURES:

- 8 1/2" high backsplash.
- 12" sink bowl depth.
- One stainless steel "Z" bracket supplied each unit.
- One K-6 3 1/2" rear basket drain.
- Two tubular stainless steel support brackets that allow full clearance underneath.
- Electronic Operated:** Includes one K-175 Electronic Faucet. Single hole provided.

CONSTRUCTION:

- All TIG welded.
- Welded areas blended to match adjacent surfaces and to a satin finish.
- Die formed tubular wall brackets.

MATERIAL:

- All 16 gauge type "304" stainless steel.
- 1 5/8" tubular "304" stainless steel wall brackets.
- Stainless steel gussets.

MECHANICAL:

- Single faucet hole punched.

| Model # | L | W | # of Faucets | Wt. | Cu. Ft. |
|--------------|-----|-----|--------------|---------|---------|
| FC-WM-3119EF | 31" | 23" | 1 | 62 lbs. | 13 |

[Click Here For Install Guide](#)



MULTI-STATION ACCESSORIES & REPLACEMENT PARTS

| Model | Description | QTY: |
|----------|---|-------|
| K-6 | 3 1/2" Drain (1 1/2" I.P.S.) | _____ |
| K-13 | Stainless Steel Soap Dispenser (Wall Mount Only) | _____ |
| K-06 | Splash Mount Faucet Mounting Kit | _____ |
| K-101 | 8" Swing Spout Splash Mt. Faucet | _____ |
| K-159 | Splash Mounted 3-1/2" Gooseneck Faucet (8" O.C.) | _____ |
| K-160 | Splash Mounted 6" Swivel Spout Faucet (8" O.C.) | _____ |
| K-410 | Strainer Plate for 3-1/2" Drain | _____ |
| K-1118 | Extra H.D. 8" Splash Mounted Faucet | _____ |
| K-316-LU | Wrist Handles | _____ |
| K-472 | Faucet Hole Revision (Manual Faucet Operated Sinks Only) | _____ |
| K-508 | Special Sizing Charge (Larger Size Cut Down To Smaller Size) | _____ |
| TA-19 | Adjustable Stainless Steel Flanged Bullet Foot | _____ |



K-159



K-160



K-101



K-13



K-06

= Ships UPS

Standard Faucets conform to NSF 61 Standard 9 and compliance to AB 1953 Standards.

WARNING: Equipment that include faucets on this page may contain a chemical known to the State of California to cause cancer, birth defects or other reproductive harm.



Customer Service Available To Assist You 1-800-645-3166 8:30 am - 7:00 pm E.S.T.

For Orders & Customer Service:

Email: customer@advancetabco.com or Fax: 631-242-6900

For Smart Fabrication™ Quotes:

Email: smartfab@advancetabco.com or Fax: 631-586-2933

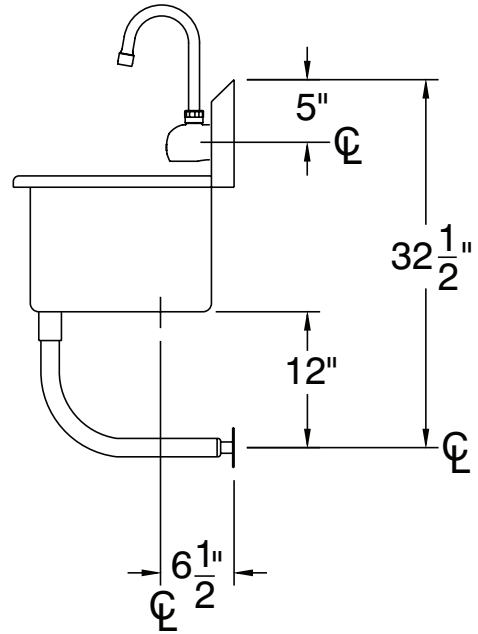
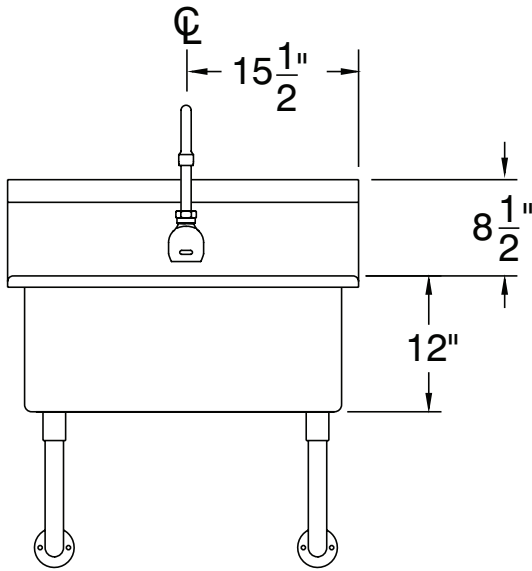
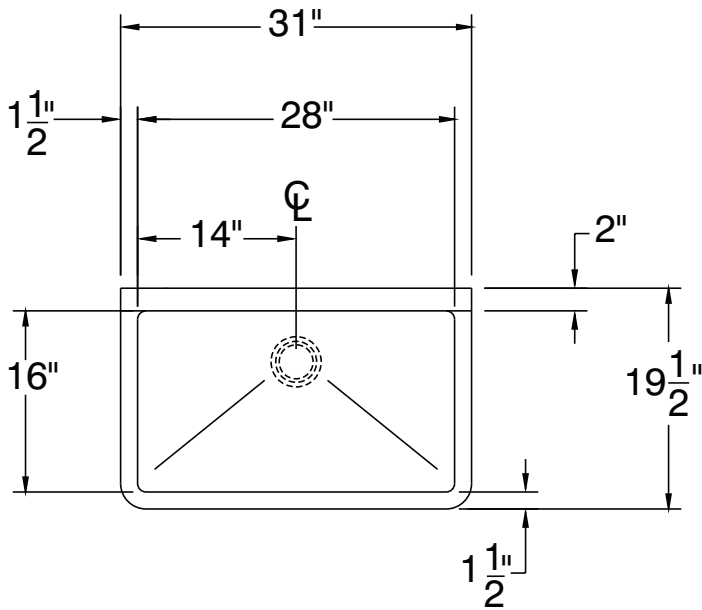
REF-JJ

DETAILS and SPECIFICATIONS

TOL ± .500"

ALL DIMENSIONS ARE TYPICAL

FC-WM-3119EF



62 Lbs.

