

Project: \_\_\_\_\_

Item: \_\_\_\_\_

Quantity: \_\_\_\_\_

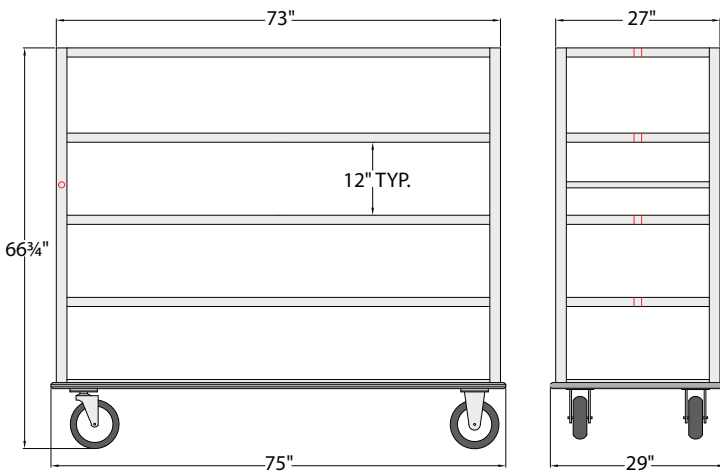
## Queen Mary - Aluminum



1455

Make large serving jobs easier! Queen Mary units come equipped with marine edge shelves to contain spills and a full perimeter bumper to protect walls.

- Uprights constructed of 1 3/4" x 1 3/4" x .100" wall ergonomic tubing with 3/4" outward corner radius.
- Shelves are .080" aluminum sheet welded to 1 1/4" x 1 1/4" x .070" wall framework
- Base is constructed of 1 3/4" x 1 3/4" x .070" wall tubing.
- Equipped with four 8" plate type casters, two swivel and two rigid.
- Five-Year Guarantee against material defects and workmanship.
- Lifetime Guarantee against rust and corrosion.
- NSF Certified.



1451

### ▶ Queen Mary — Aluminum

Model No.	Size D-H-L	Weight Capacity	Number Of Shelves	Shelf Spacing	Ship Lbs.
1450	29" x 66 3/4" x 62"	3000 lbs.	5	12"	186
1451	29" x 66 3/4" x 75"	2500 lbs.	5	12"	210
1452	29" x 66 3/4" x 62"	2500 lbs.	4	16 1/2"	174
1455	29" x 66 3/4" x 62"	3000 lbs.	6	9 1/4"	205

Four 8" plate type casters; two swivel, two rigid.

**Each Unit Is Equipped With A Full Perimeter Bumper.**

**Options:** Options may not be NSF Certified. Contact the factory.

- Caster Locks (2)** -Add "CL" suffix to model #.
- Towing Options Available** - Call For Pricing



New Age Industrial Corp., Inc. || [NewAgeIndustrial.com](http://NewAgeIndustrial.com) || Made in the USA

PO Box 520 • 16788 US Hwy 36 • Norton, Kansas 67654 || Phone: (800) 255-0104 • (785) 877-5121 || Fax: (877)-877-7687 • (785) 877-2616

This information is for general sales and engineering use only. New Age Industrial reserves the right to modify or make changes at any time, without notice, to materials and specifications.