



Your Solutions Partner

# Specifications

F.O.B. Sedalia, Missouri 65301



838 - Double

### OPTIONS:

- Radiant Heaters (HT) Specify Voltage
- Fluorescent Lights (FL)
- Bullet-type Heat Lamps (BL)
- Bullet-type incandescent lights (BI)
- Special lengths
- Special guards
- Heater with incandescent lights
- Powder coat painted frames & shelf

### Agency Listings:



NSF/ANSI 2



509L



DUKE MANUFACTURING CO.

2305 N. Broadway

St. Louis, MO 63102

800.735.3853 Toll Free

314.231.5074 Fax

www.dukemfg.com

SS-1091 Foodshield - Deluxe - 8XX

### Approval Stamp(s):

### PRODUCT INFORMATION:

PROJECT: \_\_\_\_\_

ITEM: \_\_\_\_\_

QUANTITY: \_\_\_\_\_

**MODEL:** Foodshield - Deluxe Buffet Shelves

Fits: AeroHot & Thurmaduke Steamtables, Heritage, EconoMate, Aeroserv Serving Systems

836 / 836-1SN

837 / 837-1SN

838 / 838-1SN

839 / 839-1SN

840 / 840-1SN

Deluxe Buffet Shelves

### FRAMES:

- 3/4" square stainless steel tube

### GUARDS:

- 1/4" tempered glass guard with stainless steel trim
- Self-service style
- Clear acrylic enclosure both ends

### SIZES:

All units available in following lengths:

30-7/32"

44-7/32"

58-7/32"

72-7/32"

86-7/32"

### SHELF:

- Heavy gauge stainless steel with edges flanged down



Specification subject to change

FOODSHIELD - DELUXE BUFFET SHELVES

Catalog No. FS-SHELVES

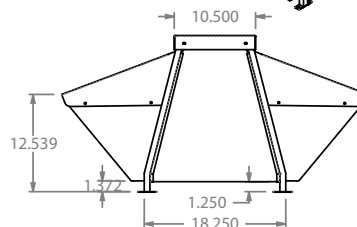
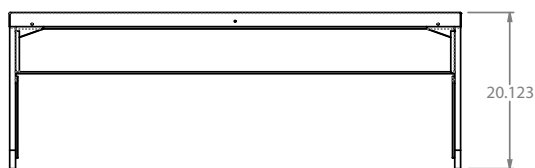
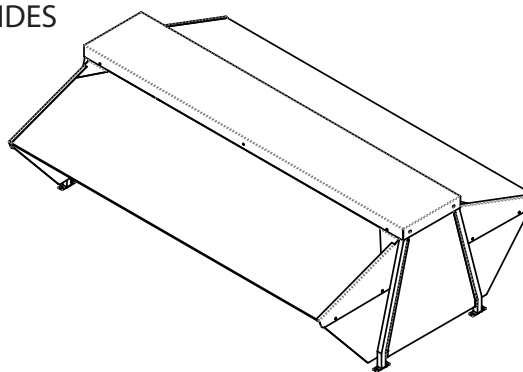
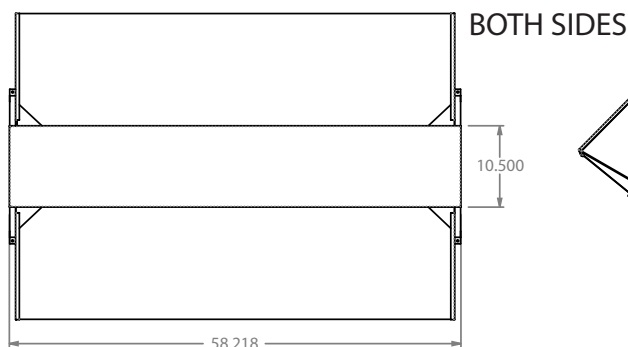
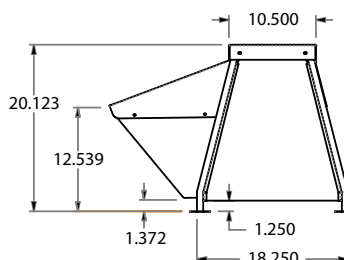
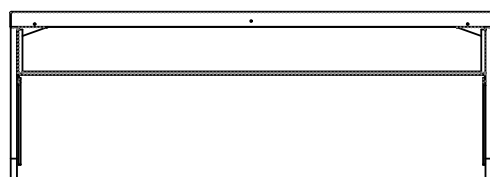
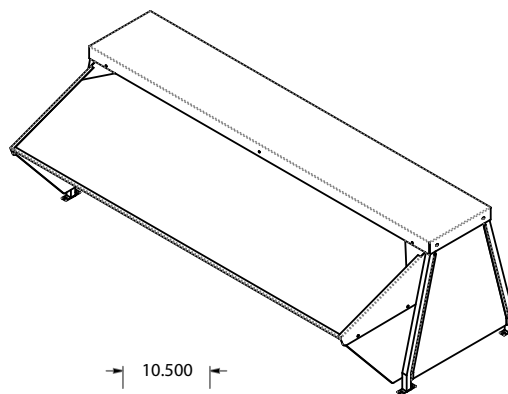
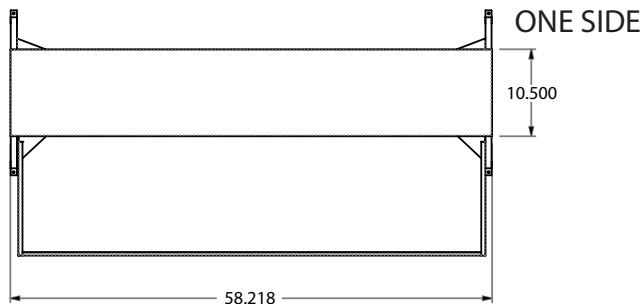
A.I.A. File No. 35-C-13

REV C 06/01/2022

# FOODSHIELD - Shelves

A.I.A. File No. 35-C-13

Catalog No. FS-SHELVES



DIMENSIONS:  
Deluxe Buffet Shelves

Freight Class: 85

Model	Length		Shelf Width		Height		Cube ft. Crated	Weight	
	in.	cm	in.	cm	in.	cm		lbs.	kg
836 / 836-1SN	30-7/32	76.8	10-1/2	26.7	20	50.8	8.6	40	18.2
837 / 837-1SN	44-7/32	112.3	10-1/2	26.7	20	50.8	11.8	48	21.8
838 / 838-1SN	58-7/32	147.9	10-1/2	26.7	20	50.8	15.1	68	30.9
839 / 839-1SN	72-7/32	183.4	10-1/2	26.7	20	50.8	18.4	98	44.6
840 / 810-1SN	86-7/32	219.0	10-1/2	26.7	20	50.8	21.5	118	53.5

FOODSHIELD - DELUXE BUFFET SHELVES



**Duke Manufacturing Co.**  
2305 N. Broadway  
St. Louis, MO 63102

Phone: 314-231-1130  
Toll Free: 1-800-735-3853  
Fax: 314-231-5074

[www.dukemfg.com](http://www.dukemfg.com)

Printed in U.S.A  
© 2019, Duke Manufacturing Co.