



# FOOD EQUIPMENT

SERVING THE FOOD INDUSTRY SINCE 1951

## VERTICAL SAUSAGE STUFFERS - Two-Speed Gear-Driven

Item: 24198 / 24199 / 24200

### MANUAL SAUSAGE STUFFERS

ALL STAINLESS STEEL



Authorized Dealer



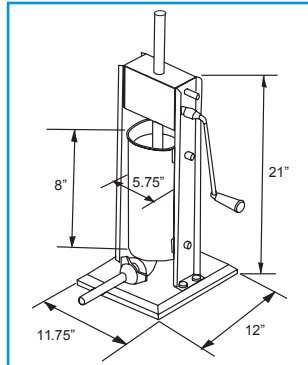
LIMITED  
WARRANTY

# FOOD EQUIPMENT

## ECONOMY VERTICAL SAUSAGE STUFFERS - TWO-SPEED GEAR-DRIVEN



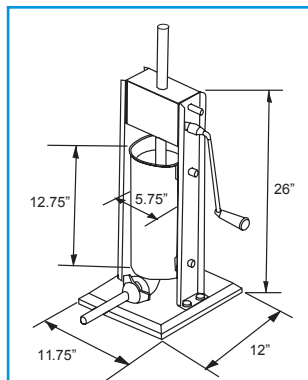
These all stainless steel manual sausage stuffers offer a wide selection of sizes and configurations for residential and commercial applications. These models feature two speed gearing to drive the piston, a pressure release valve, plus four stainless steel stuffing tubes.



**3 L / 7 lb Vertical Economy Sausage Stuffer**

### TECHNICAL SPECIFICATION

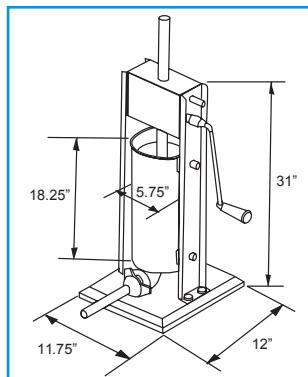
ITEM NUMBER	24198
MODEL	Vertical Two-Speed Gear-Driven
CAPACITY	3 L / 7 lbs.
FUNNEL SIZES (MM)	15mm, 22mm, 30mm, 38 mm
CYLINDER SIZE	5.75" Ø x 7.75"
PACKAGING WEIGHT	26 lbs./ 11.8 kg
DIMENSIONS (DWH)	12" x 11.75" x 21" / 305 x 300 x 530 mm
PACKAGING DIMENSIONS	13" x 13" x 23" / 330 x 330 x 584 mm



**5 L / 11 lb Vertical Economy Sausage Stuffer**

### TECHNICAL SPECIFICATION

ITEM NUMBER	24199
MODEL	Vertical Two-Speed Gear-Driven
CAPACITY	5 L / 11 lbs.
FUNNEL SIZES (MM)	15mm, 22mm, 30mm, 38 mm
CYLINDER SIZE	5.75" Ø x 12.75"
PACKAGING WEIGHT	29 lbs./ 13 kg
DIMENSIONS (DWH)	12" x 11.75" x 26" / 305 x 300 x 660 mm
PACKAGING DIMENSIONS	13" x 13" x 27.5" / 330 x 330 x 699 mm



**7 L / 15 lb Vertical Economy Sausage Stuffer**

### TECHNICAL SPECIFICATION

ITEM NUMBER	24200
MODEL	Vertical Two-Speed Gear-Driven
CAPACITY	7 L / 15 lbs.
FUNNEL SIZES (MM)	15mm, 22mm, 30mm, 38 mm
PACKAGING WEIGHT	33 lbs./ 15 kg
CYLINDER SIZE	5.75" Ø x 18.25"
DIMENSIONS (DWH)	12" x 11.75" x 31" / 305 x 300 x 787 mm
PACKAGING DIMENSIONS	14" x 14" x 34" / 356 x 356 x 864 mm

## OMCAN INC.

Telephone: 1-800-465-0234  
 Fax: (905) 607-0234  
 Email: sales@omcan.com  
 Website: www.omcan.com



Follow us to keep up to date with the latest news and offers

