



**T&S BRASS AND BRONZE WORKS, INC.**  
 2 Saddleback Cove / P.O. Box 1088  
 Travelers Rest, SC 29690

Model No.  
**B-7232-08M**

Item No.

Travelers Rest, SC: 800-476-4103 • Simi Valley, CA: 800-423-0150 • Fax: 864-834-3518 • www.tsbrass.com

This Space for Architect/Engineer Approval

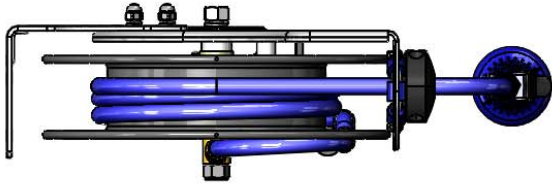
Job Name \_\_\_\_\_ Date \_\_\_\_\_

Model Specified \_\_\_\_\_ Quantity \_\_\_\_\_

Customer/Wholesaler \_\_\_\_\_

Contractor \_\_\_\_\_

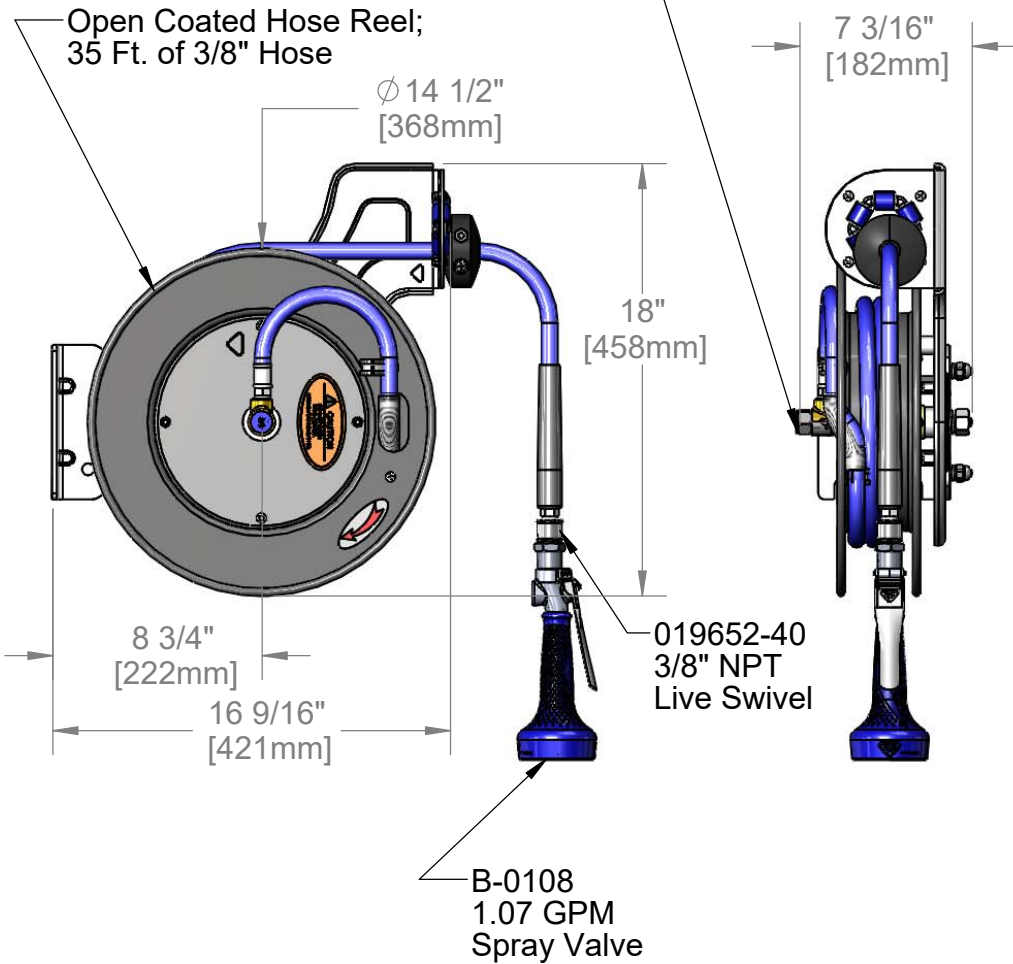
Architect/Engineer \_\_\_\_\_



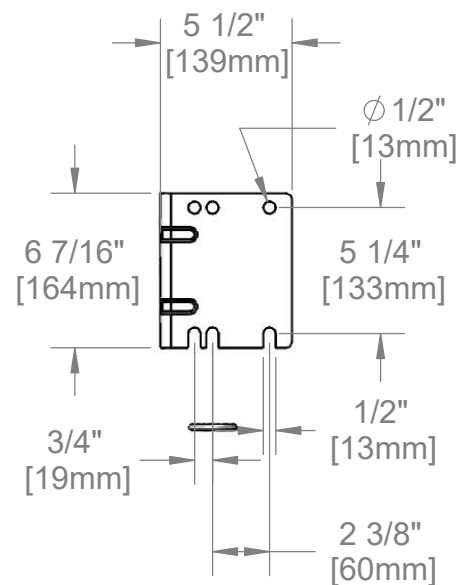
3/8" NPT Female Inlet  
 (Left Side of Reel)

Open Coated Hose Reel;  
 35 Ft. of 3/8" Hose

Ø 14 1/2"  
 [368mm]



Mounting Hole Details



Product Specifications:  
 3/8" x 35 Ft. Open Coated Reel w/ 1.07 GPM Spray Valve & Swivel

Product Compliance:  
 NSF 61 Exempt (Non-Potable)  
 EPA Act 2005 (PRSV)



**T&S BRASS AND BRONZE WORKS, INC.**  
 2 Saddleback Cove / P.O. Box 1088  
 Travelers Rest, SC 29690

Model No.  
**B-7232-08M**

Item No.

Travelers Rest, SC: 800-476-4103 • Simi Valley, CA: 800-423-0150 • Fax: 864-834-3518 • www.tsbrass.com

ITEM NO.	SALES NO.	DESCRIPTION
1	B-0108	RATCHET SPACER
2	014938-45	Roller Assembly Repair Kit
3	014949-45	Hose Stop Repair Kit
4	014941-45	3/8" x 35' Hose Replacement Kit
5	014932-45	Small Spring Assembly
6	014946-45	3/8" Swivel Repair Kit
7	014948-45	O-Ring Replacement Kit
8	014940-45	Ratchet Repair Kit
9	019652-40	3/8" NPT Live Swivel
10	016154-25	B-0108 3/8" NPT Hose Adapter
11	010476-45	#27 Washer



Product Specifications:  
 3/8" x 35 Ft. Open Coated Reel w/ 1.07 GPM Spray Valve & Swivel

Product Compliance:  
 NSF 61 Exempt (Non-Potable)  
 EPA Act 2005 (PRSV)