



**LOW HEIGHT SELF-CONTAINED BACK BAR REFRIGERATOR**  
 1-, 2-, 3- and 4-Door



**eco friendly**  
 R290 Hydrocarbon Refrigerant



**BBSLP60 with stainless steel door shown**

JOB	
AREA	
ITEM NO.	
MODEL NO.	

MODELS	
BBSLP36	1-Door Model
BBSLP60	2-Door Model
BBSLP84	3-Door Model
BBSLP108	4-Door Model

NSF/ANSI Standard 7 Listed for open food storage.  
 Note: Models furnished with wine temperature are listed for the storage and display of bottled and canned products only.

MODEL NUMBERS - BBSLP36, BBSLP60, BBSLP84, BBSLP108

**KEY PRODUCT FEATURES AND BENEFITS**

- Low Profile 29" total height, designed for areas where space constraints do not allow for a standard height
- Stainless steel interior and top standard on all Perlick Back Bar refrigeration for long life durability and easy to clean hygienic storage
- 2" foamed-in-place eco-friendly insulation provides energy savings with zero ozone depletion
- NSF/ANSI Standard 7 Listed for open food, beverage, and garnish storage
- End wall compressor and evaporator design increases storage capacity by 14% compared to top mounted designs
- Anti-Sweat heaters in cabinet face prevents condensation from forming on door, extending door gasket life and protecting flooring below from damage or slip hazards
- Multiple door styles available in any compartment
  - Choose between Glass, Stainless-Steel, Black Vinyl, or Customer Provided Overlay
  - Drawers not available on low profile models

**Quick Features:**

- Integrated door locks standard on all units
- Choose compressor mounted on left or right side of cabinet to match your space
- NSF Rated digital controller allows for easy and precise temperature changes
- Choose between three temperature ranges
  - Refrigerator (34°F-42°F) Factory set to 38°F
  - White Wine (40°F-65°F) Factory set to 45°F
  - Red Wine (40°F-65°F) Factory set to 60°F
- Choose between 6000K white LED lighting or cool blue display lighting
- Choose between Full Length, 6" Chrome, or pull tab style handles
- Choose between flat shelving and wine racks for each compartment
- 1 Year Parts and Labor Warranty, 5 Year Compressor Warranty
- Made in USA



**LOW HEIGHT SELF-CONTAINED BACK BAR REFRIGERATOR**  
 1-, 2-, 3- and 4-Door

MODEL NUMBERS - BBSLP36, BBSLP60, BBSLP84, BBSLP108

MODEL NUMBERS		BBSLP36	BBSLP60	BBSLP84	BBSLP108
<b>NUMBER OF COMPARTMENTS</b>		1	2	3	4
<b>EXTERIOR CABINET DIMENSIONS</b>	<b>Length - in. (mm)</b>	36 (914)	60 (1524)	84 (2134)	108 (2743)
	<b>Depth - in. (mm)</b>	24¾ (629)	24¾ (629)	24¾ (629)	24¾ (629)
	<b>Height - in. (mm)</b>	29 (736)	29 (736)	29 (736)	29 (736)
<b>INTERIOR CABINET DIMENSIONS</b>	<b>Length - in. (mm)</b>	20 (508)	44 (1118)	68 (1727)	92 (2337)
	<b>Depth - in. (mm)</b>	18¾ (476)	18¾ (476)	18¾ (476)	18¾ (476)
	<b>Height - in. (mm)</b>	25⅞ (646)	25⅞ (646)	25⅞ (646)	25⅞ (646)
<b>INTERNAL VOLUME Net. Cu. Ft. (Litres)</b>		6.2 (176)	13.3 (377)	20.7 (586)	27.9 (790)
<b>PRODUCT CAPACITY</b>	<b>CASE PACKED - 12 OZ. BOTTLE/CAN</b>	98/196	238/448	371/721	504/973
	<b>STAGGERED - 12 OZ. BOTTLE/CAN</b>	112/220	268/268	420/812	572/1100
<b>SHIPPING WEIGHT Lbs. (kg.)</b>		223 (101)	300 (136)	431 (195)	590 (267)
<b>ELECTRICAL SPECIFICATIONS</b>	<b>Electrical Supply</b>	120 VAC/60 Hz/1 Ph	120 VAC/60 Hz/1 Ph	120 VAC/60 Hz/1 Ph	120 VAC/60 Hz/1 Ph
	<b>Running Load Amps</b>	1.8	2.5	4.2	4.2
	<b>Electrical Connection</b>	Cord connected	Cord connected	Cord connected	Cord connected
	<b>Cord Plug Type</b>	NEMA 5-15	NEMA 5-15	NEMA 5-15	NEMA 5-15
	<b>Cord Length</b>	6'5"	6'5"	6'5"	6'5"
	<b>Defrost Initiation</b>	Automatic	Automatic	Automatic	Automatic
	<b>Defrost Type</b>	Off cycle	Off cycle	Off cycle	Off cycle
	<b>Thermostat</b>	Digital control	Digital control	Digital control	Digital control
	<b>Lighting Type</b>	LED	LED	LED	LED
<b>REFRIGERATION SPECIFICATIONS</b>	<b>Horsepower</b>	1/6	1/5	1/4	1/4
	<b>Refrigerant</b>	R290	R290	R290	R290
	<b>Refrigerant Charge (grams)</b>	90	100	90	90
	<b>Heat Rejection at 75F</b>	900	1900	1900	2300
	<b>Factory Temperature Setting - Refrigerator F (C)</b>	36° (2.2°)	36° (2.2°)	36° (2.2°)	36° (2.2°)
	<b>Temperature Range - Refrigerator F (C)</b>	33°-46° (0.5°-7.7°)	33°-46° (0.5°-7.7°)	33°-46° (0.5°-7.7°)	33°-46° (0.5°-7.7°)
	<b>Factory Temperature Setting - White Wine F (C)</b>	45° (7.2°)	45° (7.2°)	45° (7.2°)	45° (7.2°)
	<b>Factory Temperature Setting - Red Wine F (C)</b>	60° (15.5°)	60° (15.5°)	60° (15.5°)	60° (15.5°)
	<b>Temperature Range - Wine F (C)</b>	40°-65° (4.4°-18.0°)	40°-65° (4.4°-18.0°)	40°-65° (4.4°-18.0°)	40°-65° (4.4°-18.0°)
	<b>Condensing Unit Location</b>	Left or Right	Left or Right	Left or Right	Left or Right
	<b>Expansion Device</b>	Capillary tube	Capillary tube	Capillary tube	Capillary tube
	<b>Pull-Out Condensing Unit</b>	Yes	Yes	Yes	Yes
	<b>Front Vented</b>	Yes	Yes	Yes	Yes

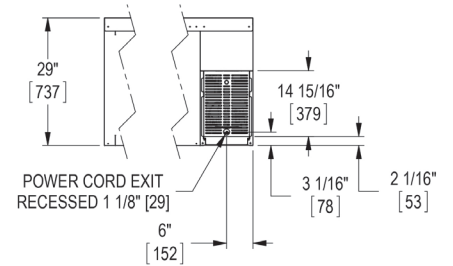
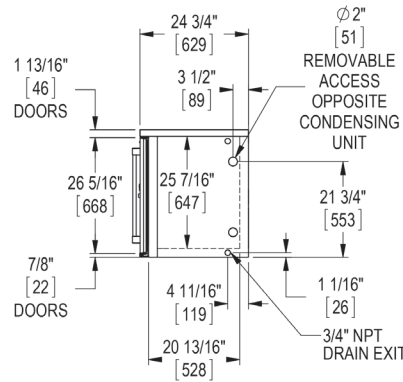
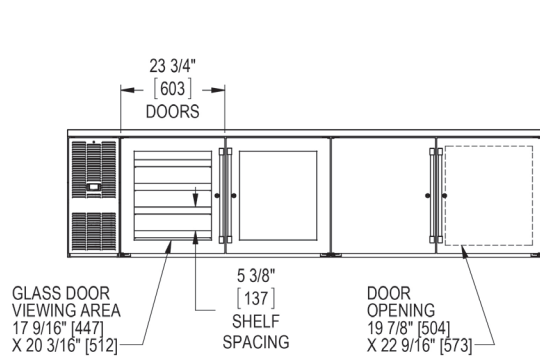
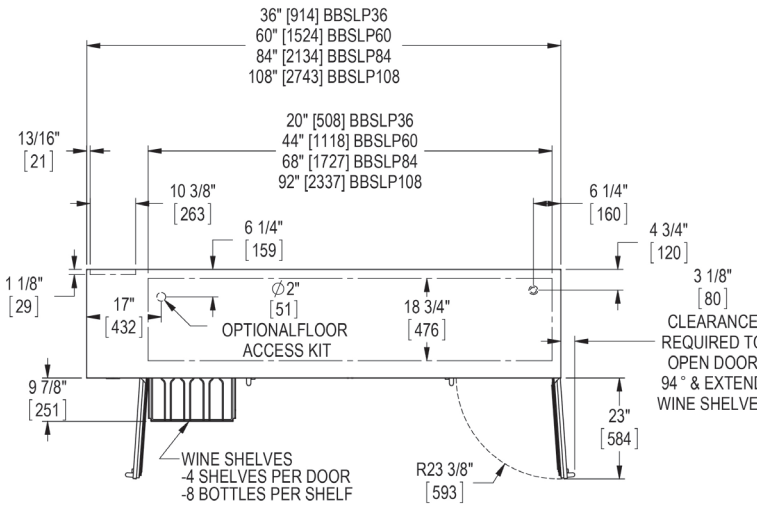
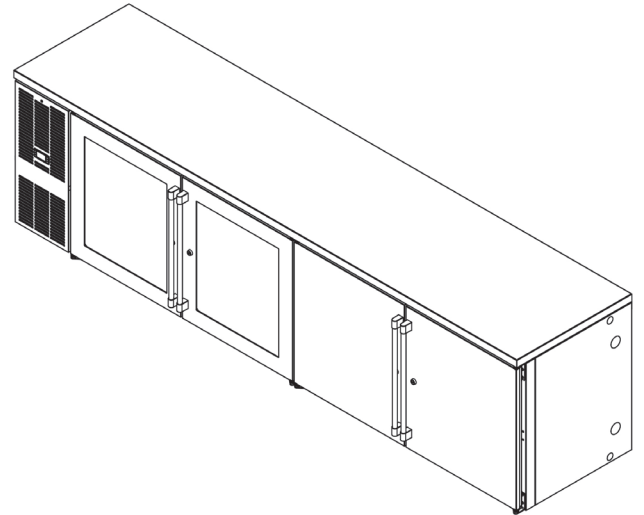
*Wine Temperature refrigerators do not carry NSF Rating for open food storage.  
 Wine Temperature units are NSF certified for non-potentially hazardous bottled and canned beverage storage.*



**LOW HEIGHT SELF-CONTAINED BACK BAR REFRIGERATOR**  
 1-, 2-, 3- and 4-Door

Note: Open floor drain not provided on models intended for non-packaged food.

**Low Height Self-Contained Back Bar**



**California Prop 65 Notice:**

**WARNING:** The materials used in this product may contain chemicals known to the State of California to cause cancer and birth defects or other reproductive harm. For more information go to [www.P65Warnings.ca.gov](http://www.P65Warnings.ca.gov).

Form No. Z2427  
 Rev. 06.16.2022