

REMOTE POWER PACK - AIR COOLED



PREMIUM - 3 PUMP - 7,250 BTUs

- Engineered by beer-industry experts for performance and value.
- Digital thermostat for accurate glycol bath temperature.
- Expanded urethane foam insulates cabinet to maintain glycol temperature and minimize condensation.
- Exterior sight glass to verify glycol bath level.
- Anti-vibration pads reduce motor noise.
- Remote condenser for accessibility.
- Fan control switch and crank case heater included.
- Pump down refrigeration system.

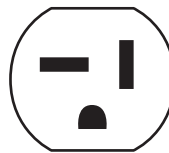


Remote Condenser Unit
(cover included)



Glycol Bath, Pumps & Motors
(cover included)

MMPP4305-PKG-3-R



6-20P*




*Units manufactured prior to 2/1/2022 were produced with a 6-15P plug.



www.micromatic.com • 1 (866) 327-4159

1 HP COMPRESSOR

Job Number: _____ Location: _____

| Part No. | Description | Shipping Weight |
|--|---|------------------|
|  MMPP4305-PKG-3-R | Remote condenser, air cooled power pack, 3 pump and motor | 80 kg 175 lbs |

Operating Performance

| | | | |
|------------------------------|---------|-------------------------------------|---------------------------|
| Compressor | 1 HP | Refrigerant | R-134a |
| BTU per hour | 7,250 | Charge | TBD |
| Plug Type (NEMA #) | 6-20P* | Refrigerant Running Pressure | 18 (low) 140 (high) |
| Cord Length | 8' | Bath Capacity | 43.5 litre (11.5 gallons) |
| Voltage | 208/230 | Pump Type | Rotary Vane |
| Body Amps / Unit Amps | 4.5 / 8 | Push In Connector | 12.7mm (1/2") O.D. |

*Units manufactured prior to 2/1/2022 were produced with a 6-15P plug.

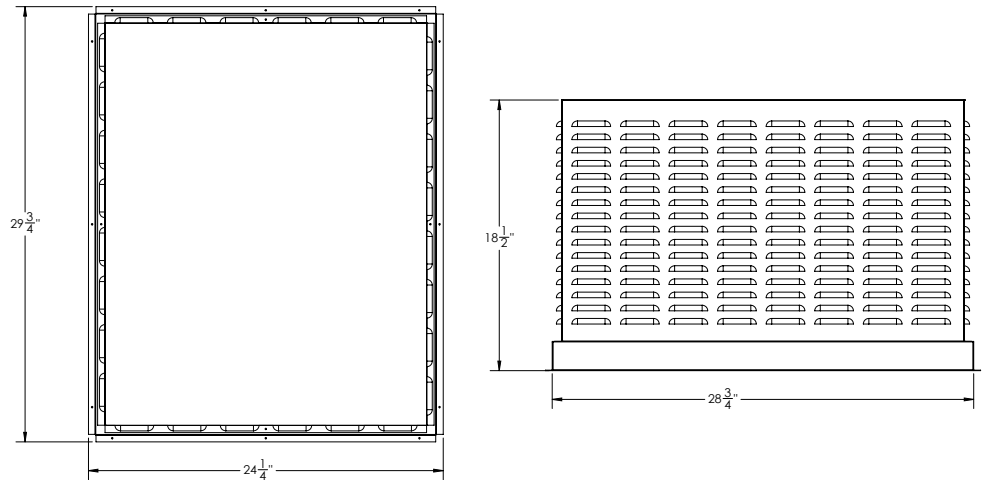
Dimensions

REMOTE CONDENSING UNIT

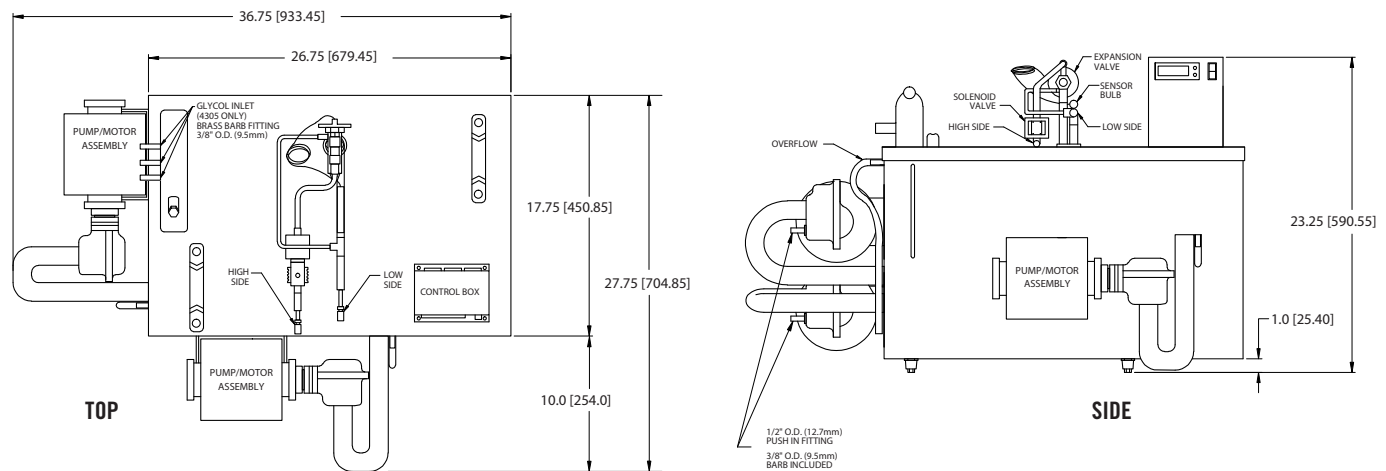
Remote Power Packs must be installed by a qualified refrigeration technician, copper line set, drier, sight glass and refrigerant must be provided by installer. **The condensing unit needs to be hard wired and the bath has a cord and plug.**

Maximum distance from bath to compressor is 50 ft.

| CONDENSING UNIT DIMENSIONS WITH COVER | | |
|---------------------------------------|-------|------|
| L | W | H |
| 29.75 | 24.25 | 18.5 |



GLYCOL BATH, PUMPS & MOTORS



Toll-Free: 1-866-327-4159
www.micromatic.com

West

19791 Bahama St.
Northridge, CA 91324
Tel. (818) 701-9765
Fax. (818) 701-9844

Central

10726 North Second St.
Machesney Park, IL 61115
Tel. (815) 968-7557

Southeast

2386 Simon Ct.
Brooksville, FL 34604
Tel. (352) 799-6331

Northeast

4601 Saucon Creek Rd.
Center Valley, PA 18034
Tel. (610) 625-4464
Fax. (610) 625-4466