

Specification/Data sheet

Stand with electric height adjustable feet model 2-S - USA/CANADA

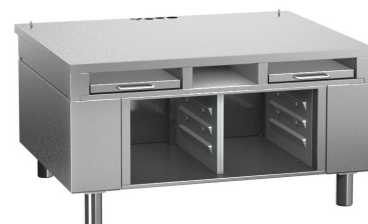


Article number:

60.31.327

Features:

- The iVario can be installed directly onto the appropriate stand. In this way, you benefit from the integrated pull-out shelves. Containers can be placed on these to safely empty the pan. There are also three support rails underneath to store GN containers and accessories.
- Continuously height adjustable (7 7/8 in - 200 mm) for custom ergonomic adaptation of the working height.
- Easy operation of height adjustment via the unit display.



Technical data:

- Equipment: 2 pull-out shelves, 6 pairs of support rails for 1/1 GN containers. Closed side panels, top panel and rear, electrically adjustable telescopic feet (4 7/8 in - 125 mm) made of stainless steel. Flexible drain hose included.
- Dimensions: 43 1/4 in (1100 mm) x 35 1/4 in (895 mm) x 22 3/8 - 30 1/4 in (570 - 770 mm)
- Weight: 231.5 kg (105 kg)
- Material: Stainless steel
- Lifting time: 16 seconds (7 7/8 in - 200 mm)
- Speed: 3/8 in /s (11 mm/s)
- Electrical connection via iVario

Additional information:

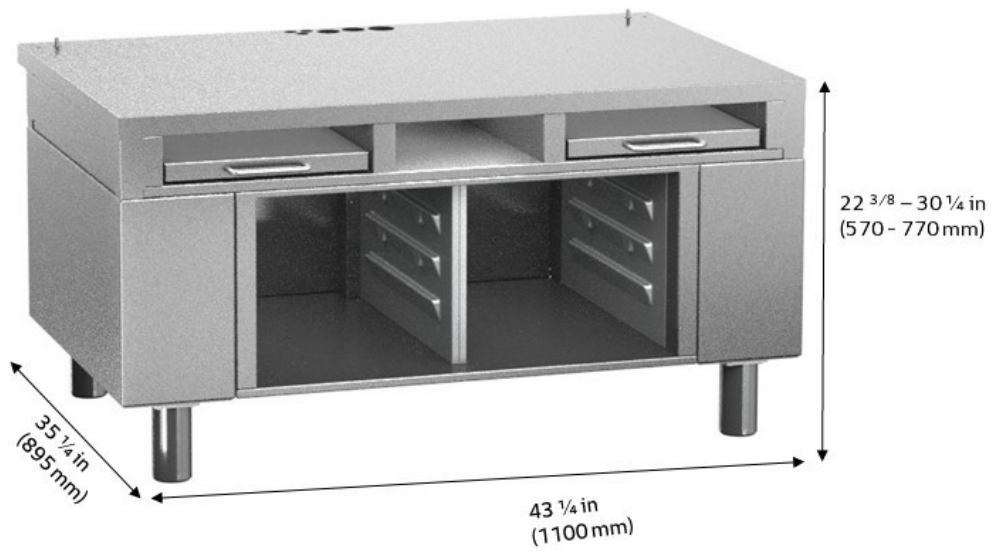
- The stand with electric height adjustment for unit size 2-S may only be used with an iVario Pro 2-S.

Additional accessories:

- 60.71.643 - Spatula 25 model 2-XS, 2-S, L, XL
- 60.77.042 - Spatula 33 model 2-XS, 2-S, L, XL
- 60.73.348 - Solid scoop model 2-S, L, XL
- 60.73.586 - Perforated scoop model 2-S, L, XL
- 60.75.359 - Arm for automatic raising/lowering model 2-S
- 60.74.986 - Boiling basket model 2-S
- 60.75.330 - Frying basket model 2-S
- 60.74.666 - Strainer model 2-XS, 2-S
- 60.74.663 - Pan base grid model 2-S, L, XL
- 60.73.349 - VarioMobil® 1/1 GN unit size 2-XS, 2-S
- Standard GN container

Specification/Data sheet

Stand with electric height adjustable feet model 2-S - USA/CANADA



Visit us on the internet: www.rationalusa.com

We reserve the right to make technical improvements