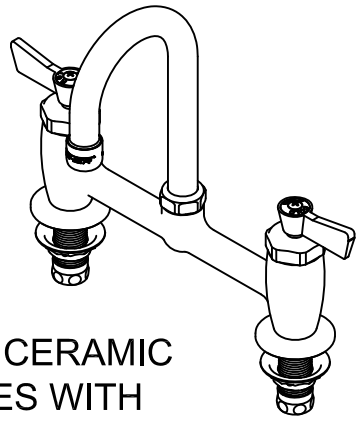
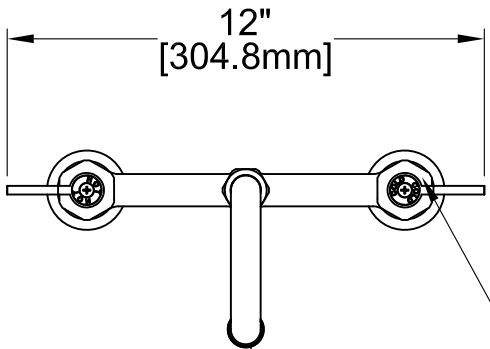


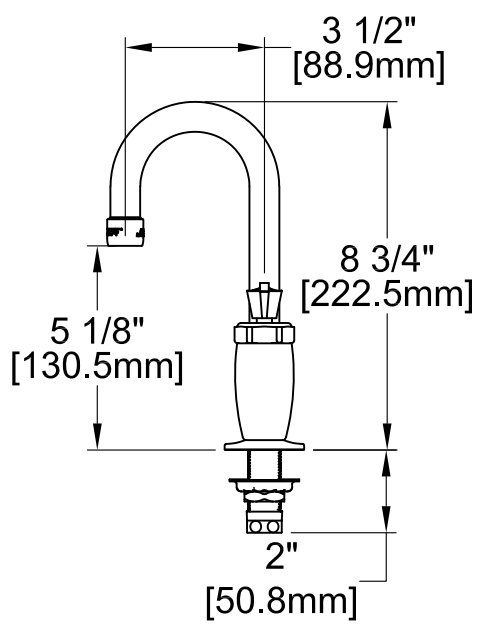
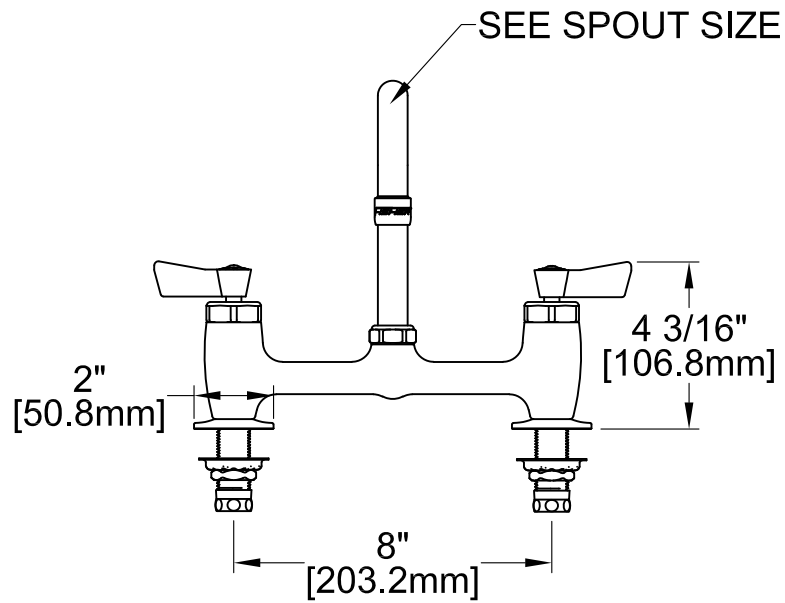
Customer/Wholesaler:	Date:	Job Name:	Model Specified:	Quantity:
Contractor:		Architect/Engineer:		

	MODEL	DESCRIPTION	SPOUT SIZE
<input type="checkbox"/>	18210	FAUCET 8DCDLH	06SGN
<input type="checkbox"/>	33150	FAUCET 8DCDLH	12SGN



06" GOOSENECK SPOUT WITH 2.2 GPM AERATOR 55/64-27

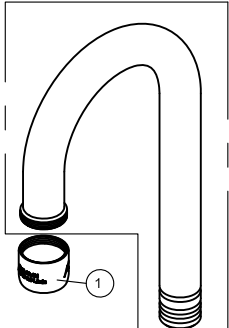
QUARTER TURN CERAMIC DISC CARTRIDGES WITH CHECK STEMS AND COLOR CODED INDEXES



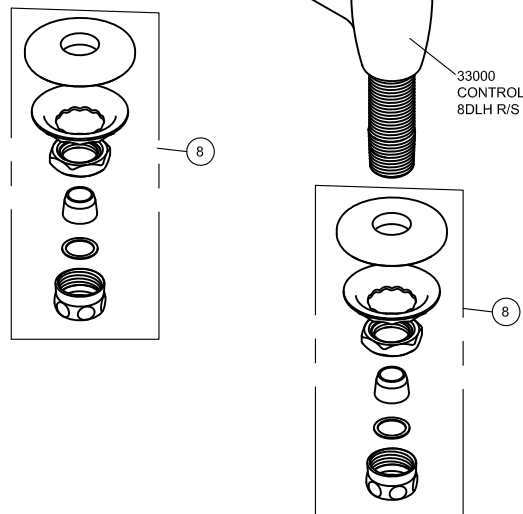
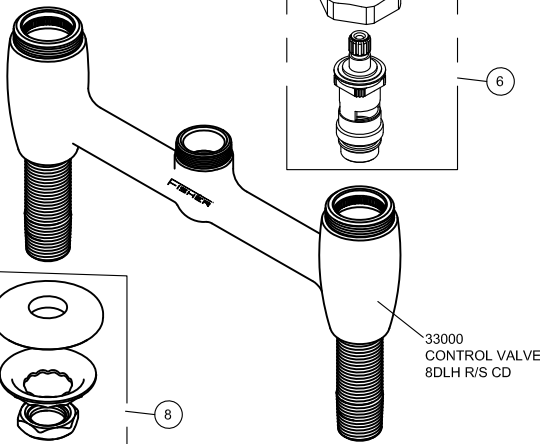
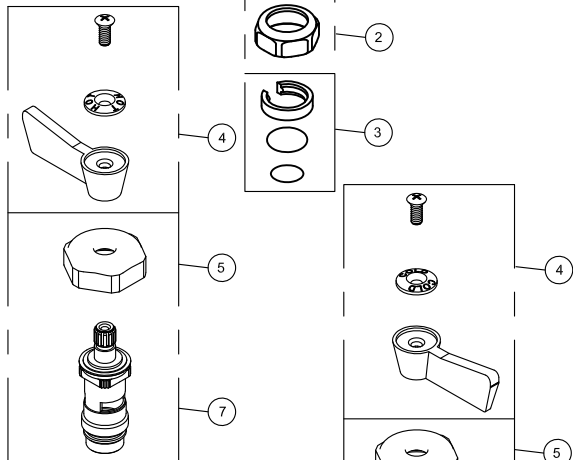
**PRODUCT SPECIFICATIONS:**  
8" DECK MOUNT MIXING FAUCET, QUARTER TURN CERAMIC DISC CARTRIDGES WITH LEVER HANDLES, GOOSENECK SPOUT WITH 2.2 GPM AERATOR 55/64-27, 1/2" NPT NIPPLE INLET, 2" BASE.

**PRODUCT COMPLIANCE:**  
ASME A112.18.1 / CSA B125.1  
NSF 61 - Section 9  
NSF 372 (Low Lead Content)

Customer/Wholesaler:	Date:	Job Name:	Model Specified:	Quantity:
Contractor:		Architect/Engineer:		



NO.	QTY.	ITEM	NAME
1	1	12564	AERATOR 55/64-27F PER 2.20 GPM
2	1	75356	NUT SPOUT 1/2 CD BRS POL CR
3	1	19119	O-RING 1/2 SPOUT KIT
5	2	2000-0002	HANDLE KIT LEVER
6	2	75957	BIBB CAP FAUCET CD NL BRS CR
7	1	75958	STEM 1/2 CERAMIC DISK LH
8	1	75959	STEM 1/2 CERAMIC DISK RH
9	2	75961	KIT 8 INCH DECK INSTALL CD



**PRODUCT SPECIFICATIONS:**  
 8" DECK MOUNT MIXING FAUCET, QUARTER TURN CERAMIC DISK CARTRIDGES WITH LEVER HANDLES, GOOSENECK SPOUT WITH 2.2 GPM AERATOR 55/64-27, 1/2" NPT NIPPLE INLET, 2" BASE

**PRODUCT COMPLIANCE:**  
 ASME A112.18.1 / CSA B125.1  
 NSF 61 - Section 9  
 NSF 372 (Low Lead Content)