



Job \_\_\_\_\_ Item No. \_\_\_\_\_

## Star® Ultra-Max® Contact Toasters

Analog Controls, Metal Chain Belt VCT13M HCT13M  
Electronic Controls, Metal Chain Belt VCTE13M HCTE13M  
Analog Controls, Silicone Belt VCT13S HCT13S  
Electronic Controls, Silicone Belt VCTE13S HCTE13S



### FEATURES

- Horizontal & Vertical models, analog & electronic controls, metal and silicone belt options
- Non-stick PTFE sheets for platens reducing cleaning.
- Heavy-duty wire mesh conveyor belt offers long life and no maintenance. Optional non-marking silicone belt also available.
- Ultra-efficient aluminum toasting surface for quick heat up and even temperature distribution across full width of conveyor belt
- Low profile design for ergonomic access to conveyor load up and retrieval areas
- Adjustable opening between belt and toasting surface for perfect toasting of any thickness bun
- Deep toasting return to support toasting of products up to 7" long
- Optional fully programmable electronic control with platen temperature, auxiliary heater power, and belt speed settings.
- Extended conveyor belt with sloped platen for easy loading.
- Safe load up area with full width front burn guard and cool-to-the-touch exterior
- Removable crumb tray and toast slide for easy clean-up

### DESCRIPTION

Contact toasters seal bread surfaces, which improve the crispy texture. The smooth toasted surface limit penetration by sauces and fluids, which extend holding time of buns and sandwich products. Available with analog or electronic controls, silicone or metal chain belts.

### OPTIONS & ACCESSORIES

- VCTEBW- Butter Wheel for Vertical Toaster
- HCTEBW- Butter Wheel for Horizontal Toaster
- HCTFEED- Feeder Tray for Horizontal Toaster
- VCTFEED - Feeder Tray for Vertical Toaster
- CTSHEET10 - (10) Non-Stick sheets, Contact Toaster

### SPECIFICATIONS

Heavy-duty motor, drive chain and conveyor system for superior reliability. Conveyor belt tension system for smooth and quiet operation. High performance embedded heaters for superior toasting performance and reliability. Optional fully programmable electronic controls. Toasters are furnished with 1" legs and 4' cord. No ventilation hood is required.

### CERTIFICATIONS



### WARRANTY

These units come with a one [1] year warranty for parts and labor.



#### STAR MANUFACTURING INTERNATIONAL INC.

10 Sunnen Drive • Saint Louis, Missouri 63143  
Telephone 800 264 7827 • Fax 314 781 5445  
www.star-mfg.com

Printed in the U.S.A. • 2M-ZZxxxx • Rev - • 3.2017  
Specifications are subject to change without notice and are not intended for installation purposes.



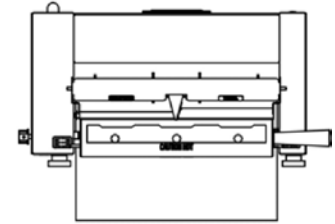
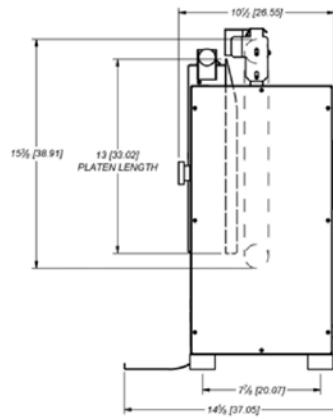
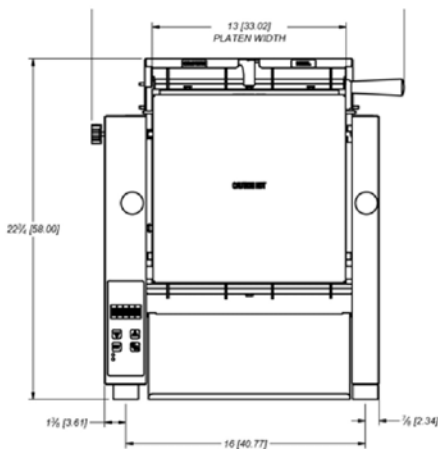
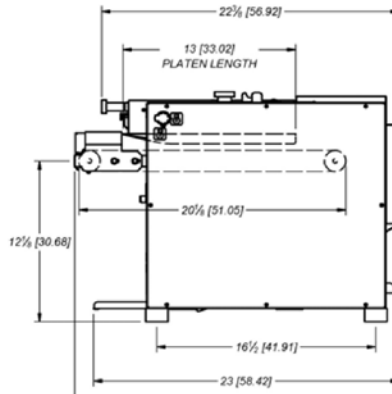
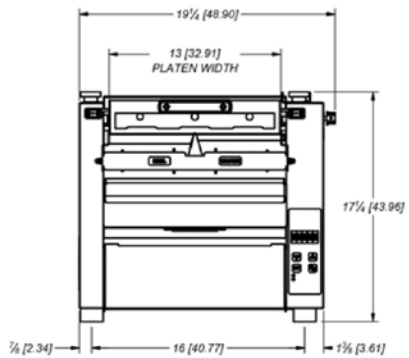
# Star® Ultra-Max® Contact Toasters

Analog Controls, Metal Chain Belt □VCT13M □HCT13M

Electronic Controls, Metal Chain Belt □VCTE13M □HCTE13M

Analog Controls, Silicone Belt □VCT13S □HCT13S

Electronic Controls, Silicone Belt □VCTE13S □HCTE13S



MODEL	CAPACITY	HEIGHT in. (mm)	WIDTH in. (mm)	DEPTH in. (mm)	VOLTS <sup>1</sup>	HZ 1-PH	AMPS	WATTS	NEMA PLUG	APPROX. SHIP WEIGHT
HCT13M/ HCTE13M	1,700 BUN HALVES PER HR	17.3 (440)	19.3 (490)	24.4 (620)	208 240 230	60 60 50	13.5 12.5 12	2,800 3,000 2,750	6-20P 6-20P CEE7/7	115 lb. (52.2 kg)
HCT13S/ HCTE13S	1,700 BUN HALVES PER HR	17.31 (440)	19.3 (490)	24.4 (620)	208 240 230	60 60 50	12.25 11 10.5	2,550 2,650 2,450	6-20P 6-20P CEE7/7	115 lb. (52.2 kg)
VCT13M/ VCTE13M	1,400 BUN HALVES PER HR	22.8 (579)	20.9 (531)	14.6 (371)	208 240 230	60 60 50	13.5 12.5 12	2,800 3,000 2,750	6-20P 6-20P CEE7/7	75 lb. (34.1 kg)
VCT13S/ VCTE13S	1,400 BUN HALVES PER HR	22.8 (579)	20.9 (531)	14.6 (371)	208 240 230	60 60 50	12.25 11 10.5	2,550 2,650 2,450	6-20P 6-20P CEE7/7	75 lb. (34.1 kg)



6-20P



CEE7/7

Due to periodic changes in designs, methods, procedures, policies and regulations, the specifications contained in this sheet are subject to change without notice. While Star Manufacturing exercises good faith efforts to provide information that is accurate, we are not responsible for errors or omissions in information provided or conclusions reached as a result of using the specifications. By using the information provided, the user assumes all risks in connection with such use.



## STAR MANUFACTURING INTERNATIONAL INC.

10 Sunnen Drive • Saint Louis, Missouri 63143

Telephone 800 264 7827 • Fax 314 781 5445

www.star-mfg.com

Printed in the U.S.A. • 2M-Z2xxx • Rev - • 3.2017  
Please refer to the owner's manual for information regarding installation or use.