



K-183 ELECTRONIC DECK MOUNT FIXED FAUCET

Conforms To NSF 61/9 Lead Free Requirements



Powered by
AC or Battery!

Item #: _____ Qty #: _____

Model #: _____

Project #: _____

FEATURES:

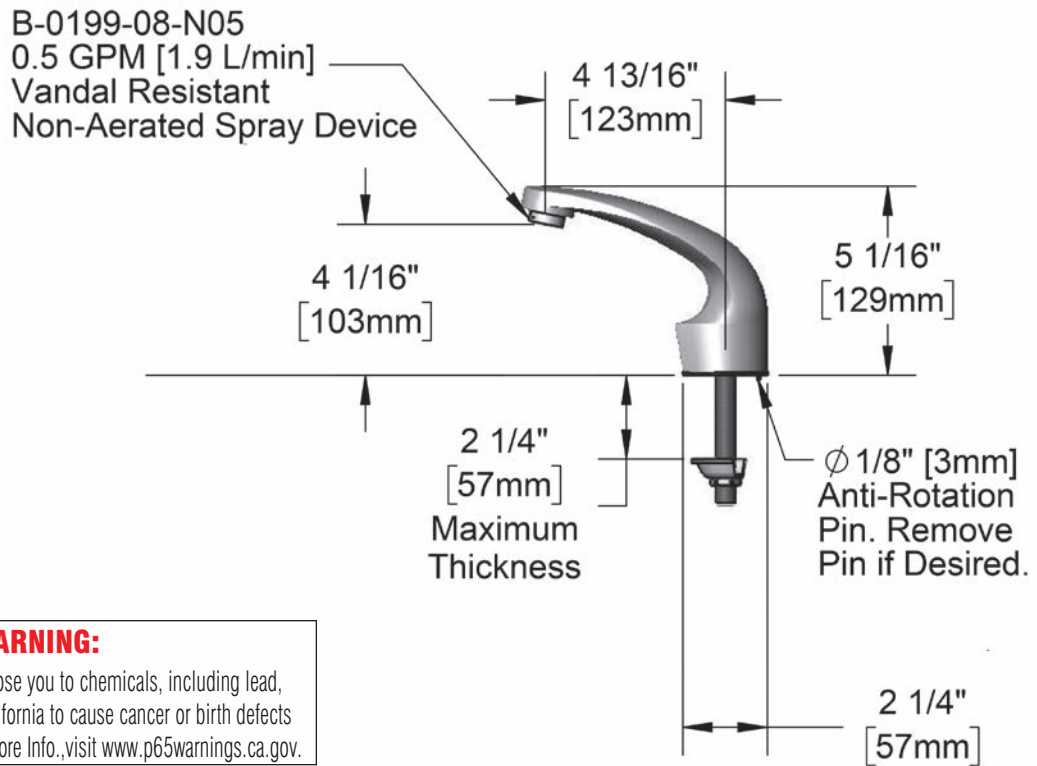
- Fixed 4 13/16" long spout.
- Hot/cold water mixing valve.
- Infrared sensor activated.
- 4 AA Batteries or AC powered.
- 72" cord. Input: 100-240VAC. UL LISTED.
- .5 GPM/1.9 LPM Vandal resistant non-aerated spray device.

MATERIAL:

Brass chrome plated.

FAUCET AERATOR CONFORM TO
ASTM.A112.18.1M • .5 GPM/1.9 LPM
THREAD: 55/64 - 27 FEMALE

DIMENSIONS and SPECIFICATIONS



⚠ WARNING:

Faucet(s) on this page may expose you to chemicals, including lead, that are known to the State of California to cause cancer or birth defects or other reproductive harm. For more Info., visit www.p65warnings.ca.gov.



Customer Service Available To Assist You 1-800-645-3166 8:30 am - 7:00 pm E.S.T.

For Orders & Customer Service:

Email: customer@advancetabco.com or Fax: 631-242-6900

For Smart Fabrication™ Quotes:

Email: smartfab@advancetabco.com or Fax: 631-586-2933