



60" Shuttle Plus Storage

Model Number
SPS-2-SL
SPS-2-G-SL



SPS-2-SL shown

FEATURES

- Guillotines and large openings for scoop dispensing
- SPS-2: Seamless polyethylene liner with covered corners
- SPS-2-G: Full Stainless Steel—front, back, bottom, sides and liner
- 1 ½" foamed in-place polyurethane insulation
- Adjustable flanged feet
- First in first out ice
- Two (2) 48" Clear PVC tubes for drainage (1"ID)
- Factory installed stainless steel drain pan
- Welded 40" base frame
- Two (2) 250lbs capacity Poly-carts with foot operated rear drain
- One (1) 48" UHMWP ice paddle



Toll Free Phone: 1-800-346-3246

Local Phone: (303) 761-1615

E-mail: sales@kloppenberg.com

www.kloppenberg.com

APPLICATIONS

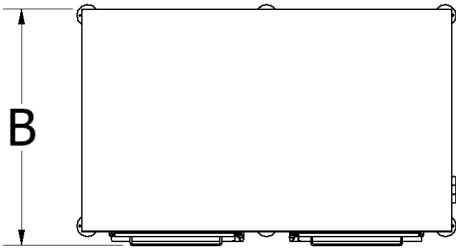
- Hospitality Industry
- Grocery Store
- Amusement/Water Park
- Sports Venue

Model Number

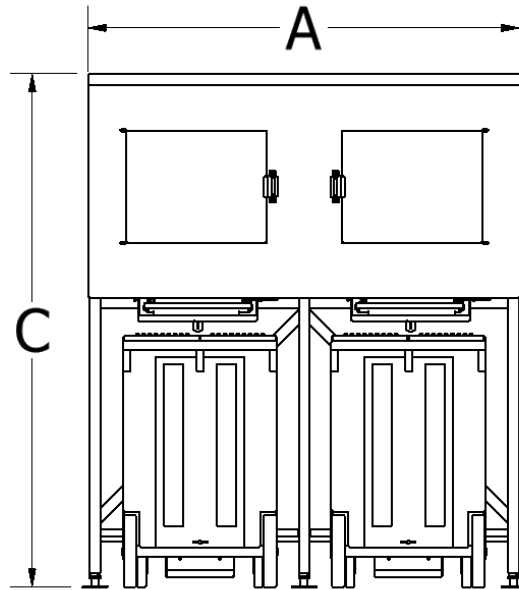
SPS-2-SL

SPS-2-G-SL

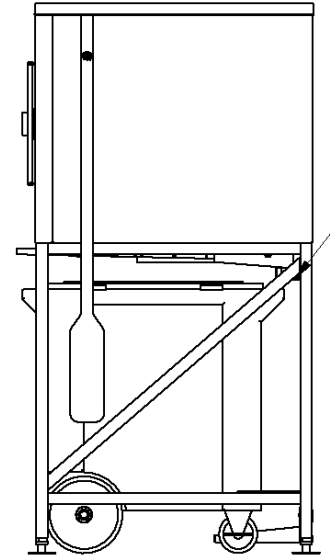
60" Shuttle Plus Storage



TOP VIEW



FRONT VIEW



SIDE VIEW

Model Number	Capacity lbs (kg)	A-Width in (mm)	B-Depth* in (mm)	C-Height in (mm)	Minimum Door Clearance in (mm)	Ship Weight lbs (kg)
SPS-2-SL	2500 (1,136)	60 (1,524)	40.5 (1,033)	92 (2,336)	36 (914)	565 (257)
Sleeve Only	730 (332)	60 (1,524)	40.5 (1,033)	20 (9)	20 (9)	165 (75)
SPS-2-G-SL	3,000 (1,364)	60 (1,524)	52.5 (1,334)	92 (2,336)	48 (1,219)	765 (348)
Sleeve Only	1200 (545)	60 (1,524)	52.5 (1,334)	30 (14)	30 (14)	235 (75)

*Depth includes 4.5" for the guillotine handle

OPTIONS:

- Fully welded stainless steel liner (coved corners)
- Sleeves for additional capacity

AVAILABLE ACCESSORIES:

- Scoops
- Totes
- Bagging Kit

Toll Free Phone: 1-800-346-3246 Local Phone: 303-761-1615

Email: sales@kloppenberg.com

Please send all PO's to purchaseorders@kloppenberg.com