

Project Name: \_\_\_\_\_ AIA#: \_\_\_\_\_

Model #: \_\_\_\_\_ Location: \_\_\_\_\_

SIS#: \_\_\_\_\_ Item #: \_\_\_\_\_ Quantity: \_\_\_\_\_



# Chefmate® by Globe Medium Duty Manual Slicer

**Safe and easy to use and  
clean, plus easy on the budget!**

*Gear driven knife, stain resistant  
anodized aluminum with removable parts.*



## Model

- GC512 – 12" Diameter Knife

## Standard Features

- 12" diameter gear driven, high torque knife
- 7/8" slice thickness
- 1/3 HP totally enclosed knife motor, permanently lubricated sealed ball bearings
- Stain resistant and easy to clean anodized aluminum base
- Easy to access top mounted, removable metal knife sharpener, with two stones and dual action for a razor sharp cutting edge!
- Knife cover interlock and permanently attached knife ring guard - for added operator safety during use and cleaning
- Stainless steel knife, food chute and slicer table
- Stainless steel knife and motor covers, slice deflector, and product receiving tray
- Easy-to-clean removable slice deflector and product tray
- Moisture proof, sanitation sealed ON/OFF switch
- Includes 6 foot cord and plug
- Power indicator light
- Non-slip rubber feet

## Warranty

- One-year parts and labor

## Optional items

- Vegetable hopper
- Slicer cover
- Extended warranty

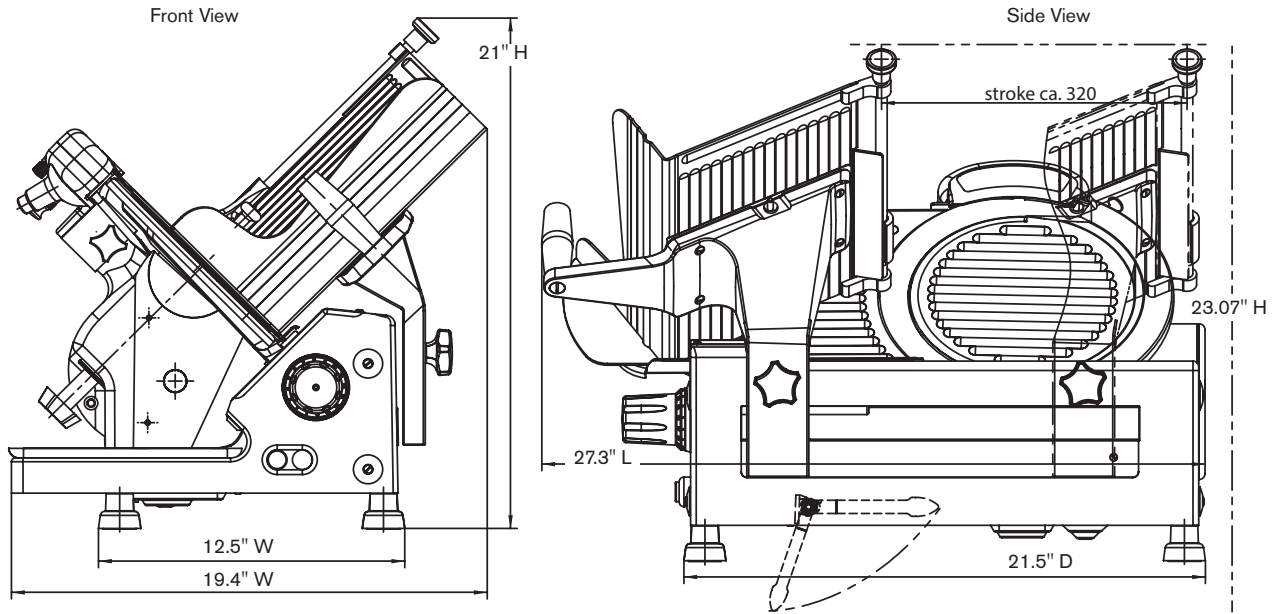
*To select options, see complete list on back*



AutoQuotes

Approved by: \_\_\_\_\_ Date: \_\_\_\_\_

2153 Dryden Rd., Dayton, OH 45439 | 937-299-5493 | 800-347-5423 | Fax: 937-299-4147 | [www.globefoodequip.com](http://www.globefoodequip.com)



SPECIFICATIONS												
Model	Auto or Manual	Motor	Volts	Amps	Drive Type	Slicing Volume per Day	Cheese Slicing	Blade Diameter	Max Slice	Product Cutting Capacity		
										W (Width)	D (Diameter)	H (Height)
GC512	Manual	1/3 HP	115-60-1	4.8	Gear	6 hours		12" (30.5 cm)	7/8" (1.4 cm)	10" (25.4 cm)	7.5" (19.5 cm)	8.75" (22.2 cm)

**Cord & Plug:** Attached 6 foot flexible 3-wire cord with molded plug fits a grounded receptacle. NEMA 5-15

DIMENSIONS   SHIPPING INFORMATION				
Reinforced carton for shipping. The weight and dimensions of this reinforced carton are included below and may vary from shipment to shipment. <b>Freight class 77.5</b>				
Model	Overall Dimensions	Net Wt	Shipping Dimensions	Shipping Wt
GC512	19.4" w x 27.3" d x 21" h (49 cm x 69 cm x 53 cm)	88 lbs (40 kg)	21.5" w x 26.5" d x 28" h (55 cm x 67 cm x 71 cm)	110 lbs (50 kg)

Slicer has 12" diameter knife with anodized aluminum base and stainless steel food chute, slicer table, knife, knife and motor covers and product tray. Unit has 1/3 HP motor with permanently lubricated ball bearings. Slicer has top mounted, removable, dual action knife sharpener with two stones, and removable slice deflector and product tray. On/Off switch and electric wiring are moisture proof, with sealed splash zones. Slicer is NSF and ETL listed. One year parts and labor warranty.

**OPTIONAL ITEMS:**

- A420VH** vegetable hopper
- SC-LARGE** large slicer cover
- G-XDSL** Extended warranty extends factory warranty to 2 years on parts and labor in the continental U.S.

**Available only at time of purchase.**